



Chipsmall Limited consists of a professional team with an average of over 10 year of expertise in the distribution of electronic components. Based in Hongkong, we have already established firm and mutual-benefit business relationships with customers from,Europe,America and south Asia,supplying obsolete and hard-to-find components to meet their specific needs.

With the principle of "Quality Parts,Customers Priority,Honest Operation,and Considerate Service",our business mainly focus on the distribution of electronic components. Line cards we deal with include Microchip,ALPS,ROHM,Xilinx,Pulse,ON,Everlight and Freescale. Main products comprise IC,Modules,Potentiometer,IC Socket,Relay,Connector.Our parts cover such applications as commercial,industrial, and automotives areas.

We are looking forward to setting up business relationship with you and hope to provide you with the best service and solution. Let us make a better world for our industry!



## Contact us

Tel: +86-755-8981 8866 Fax: +86-755-8427 6832

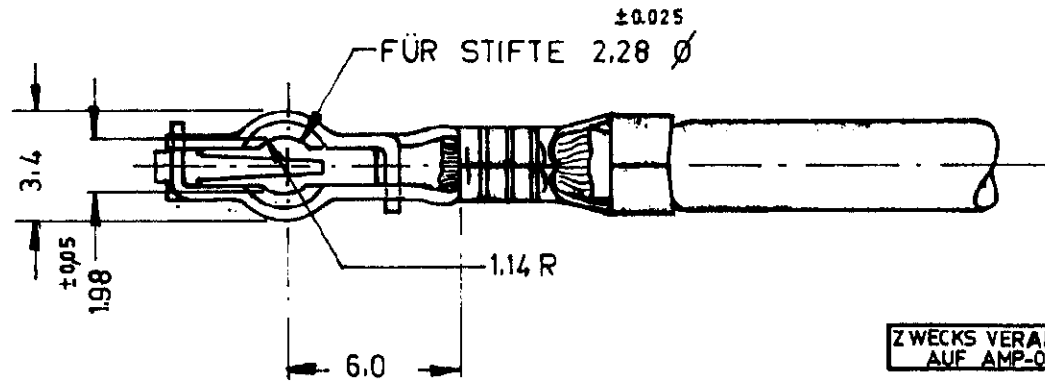
Email & Skype: info@chipsmall.com Web: www.chipsmall.com

Address: A1208, Overseas Decoration Building, #122 Zhenhua RD., Futian, Shenzhen, China



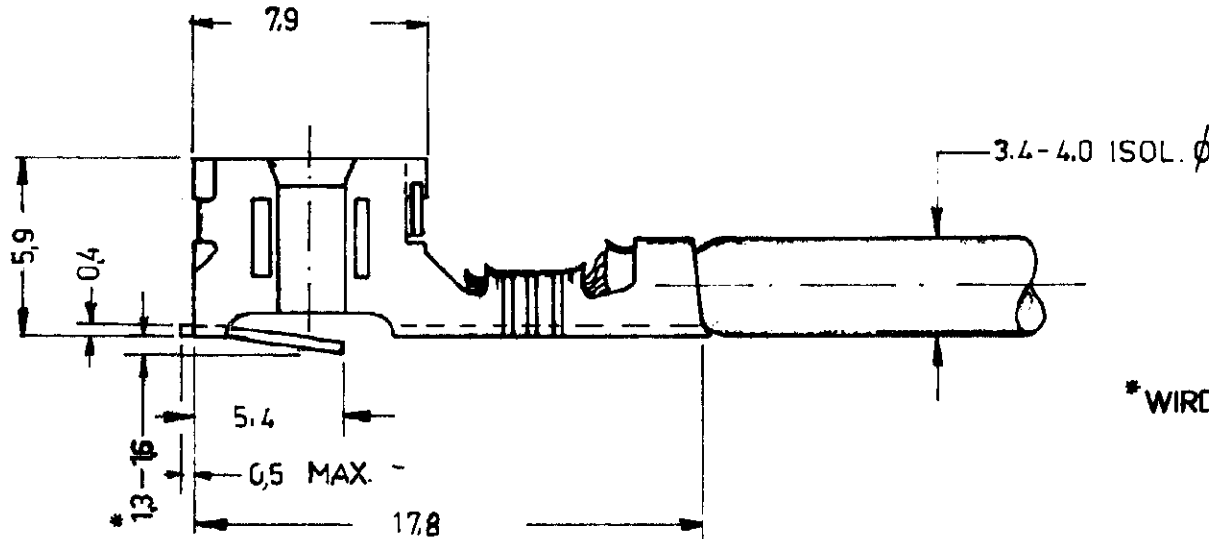
MASSE IN mm — EINZELMASSE NICHT MASSTÄBLICH

ZCHNG. N.  
C-160464-D



BESTELL Nr.	OBERFLÄCHE
160464-1	blank
160464-2	verzinkt
160464-3	versilbert
160464-4	verzinkt

ZWECKS VERARBEITUNG  
AUF AMP-O-MATOR



\* WIRD WÄHREND DES ANSCHLAGENS  
HERAUSGEDRÜCKT.

**REDRAWN**

<b>KUNDEN ZEICHNUNG</b>	-9 -8 -7 -6 -5 -4 -3 -2 -1	FORM.	BESTELL-Nr.	BENENNUNG	BEMERKUNGEN	TEIL Nr.
	STÜCKZAHL		MATERIAL	WARMEBEHANDLG.	OBERFLÄCHE	
			ZINNBRONZE		SIEHE TABELLE	
			<b>AMP</b>		GEZ. <i>Horn</i> 18. nov. 63	GEZ. <i>Horn</i> 18. nov. 63
		DEUTSCHE AMP GmbH LANGEN		GEPR. <i>Horn</i> 18.11.63	GEN <i>Horn</i> 18.11.63	ERSTE VERWENDG
BESCHREIBUNG		TYPE	MASSTAB	FABR. FORM.	ZCHNG. Nr.	ANDG.
FÜR NORMQUERSCHNITT 1.0 mm <sup>2</sup>		A.M.	4:1	HA	C-160464-D	F
		GESAMT. QUERSCHNITTBEREICH 0.8 - 1.4 mm <sup>2</sup>		CLUSTER STECKHÜLSE		

© 1963 BY Deutsche AMP GmbH  
1964 BY AMP Holland N.Y. ALLE  
RECHTE VORBEHALTEN. AMP ERZEUG-  
NISSE SIND DURCH ERTEILTE BZW. AN-  
GEMELDETE PATENTE GESCHÜTZT.