



Chipsmall Limited consists of a professional team with an average of over 10 year of expertise in the distribution of electronic components. Based in Hongkong, we have already established firm and mutual-benefit business relationships with customers from,Europe,America and south Asia,supplying obsolete and hard-to-find components to meet their specific needs.

With the principle of "Quality Parts,Customers Priority,Honest Operation,and Considerate Service",our business mainly focus on the distribution of electronic components. Line cards we deal with include Microchip,ALPS,ROHM,Xilinx,Pulse,ON,Everlight and Freescale. Main products comprise IC,Modules,Potentiometer,IC Socket,Relay,Connector.Our parts cover such applications as commercial,industrial, and automotives areas.

We are looking forward to setting up business relationship with you and hope to provide you with the best service and solution. Let us make a better world for our industry!



## Contact us

Tel: +86-755-8981 8866 Fax: +86-755-8427 6832

Email & Skype: info@chipsmall.com Web: www.chipsmall.com

Address: A1208, Overseas Decoration Building, #122 Zhenhua RD., Futian, Shenzhen, China

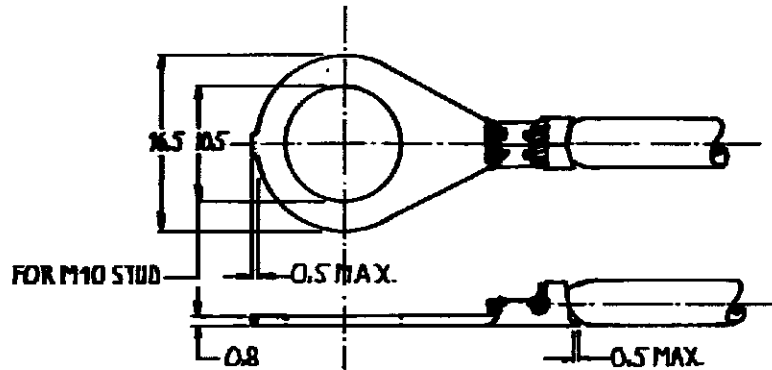
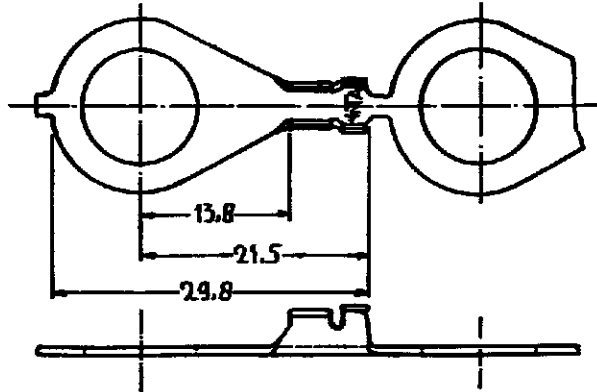


PART NUMBER C-160467-E

DRAWING MADE IN AMERICAN PROJECTION

REVISIONS

LTR	DESCRIPTION	DATE	DWN	APVD
B1	REVISED PER ECO-10-000445	11JAN10	KK	HMR



FOR USE ON STANDARD AND MINIATURE APPLICATORS

⚠ OBSOLETE PARTS: OBSOLETE CIS STREAMLINING PER D.RENAUD/D.SINISI

DIMENSIONS IN M.M. DO NOT SCALE PRINT

**CUSTOMER COPY FOR REFERENCE ONLY**

©1982 BY AMP-HOLLAND N.V. ALL RIGHTS RESERVED A-MP PRODUCTS COVERED BY PATENTS AND/OR PATENTS PENDING.



AMP - HOLLAND B.V.  
's-Hertogenbosch

T00467-3	1	PRODUCTION BR.	←→
160467-2		BRASS	TIN PLATED
160467-1		BRASS	←→
ORDER NO.	MATERIAL	PLATING	
DR: 05-08-82	DATE	DE	DATE
CHK: 5.8.82	DATE	APP: 5.8.82	DATE

WIRE-RANGE 1.0-2.5 mm	INSUL-RANGE 2.5-3.8 φ	FIRST USED
SCALE 2:1	SIZE A	NO C-160467-E
NAME RINGTONGUE WITH INS. SUPPORT		REV B1