



Chipsmall Limited consists of a professional team with an average of over 10 year of expertise in the distribution of electronic components. Based in Hongkong, we have already established firm and mutual-benefit business relationships with customers from,Europe,America and south Asia,supplying obsolete and hard-to-find components to meet their specific needs.

With the principle of “Quality Parts,Customers Priority,Honest Operation,and Considerate Service”,our business mainly focus on the distribution of electronic components. Line cards we deal with include Microchip,ALPS,ROHM,Xilinx,Pulse,ON,Everlight and Freescale. Main products comprise IC,Modules,Potentiometer,IC Socket,Relay,Connector.Our parts cover such applications as commercial,industrial, and automotives areas.

We are looking forward to setting up business relationship with you and hope to provide you with the best service and solution. Let us make a better world for our industry!



Contact us

Tel: +86-755-8981 8866 Fax: +86-755-8427 6832

Email & Skype: info@chipsmall.com Web: www.chipsmall.com

Address: A1208, Overseas Decoration Building, #122 Zhenhua RD., Futian, Shenzhen, China



General Specifications

Motor Protection:

Auto Restart/Polarity Protection

Insulation Resistance:

10M Ω or over with a DC500V Megger

Dielectric Withstand Voltage: AC 700V 1s

Allowable Ambient Temperature Range:

-10°C ~ +70°C (Operating)

-40°C ~ +70°C (Storage)

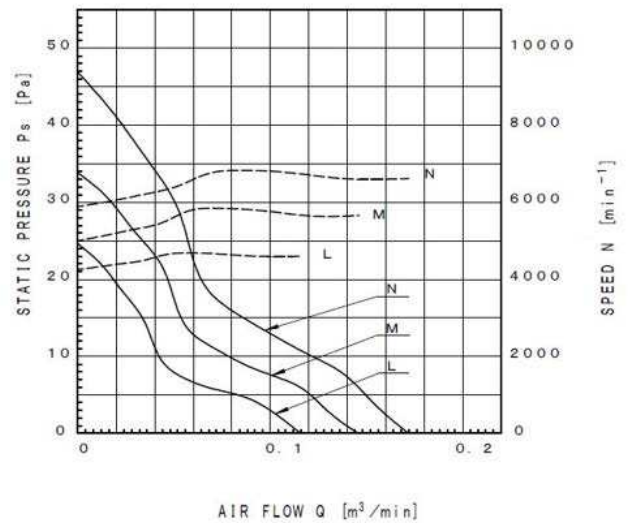
(non-condensing environment)

Expected Life

Failure Rate: 10%

25°C 60,000 Hours

Characteristic Curves



Material

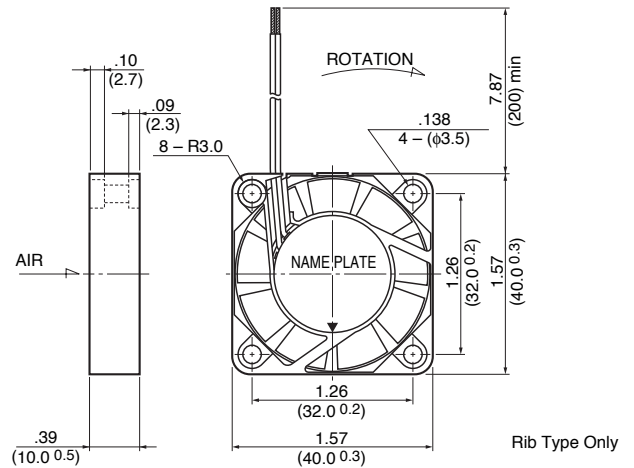
Casing : Plastic (Black) UL94V-0

Impeller : Plastic (Black) UL94V-0

Bearing : Ball Bearing

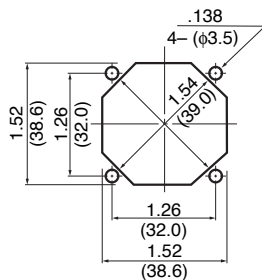
Lead Wire: UL1061, AWG26, +Red, -Black

Outline



Panel Cut-Outs

Units: inch (mm)



INLET SIDE / OUTLET SIDE

Specifications

| MODEL | LEGACY P/N | Rated Voltage | Operating Voltage | Current | Input Power | Speed | Max. Air Flow | | Max. Static Pressure | | Noise | Mass |
|-------------------|--------------------|---------------|-------------------|-------------------|-------------------|------------------------------------|-------------------|-------------------------------------|----------------------|--------------------|--------------------|------|
| | | (V) | (V) | (A) ^{*1} | (W) ^{*1} | (min ⁻¹) ^{*1} | CFM ^{*1} | (m ³ /min) ^{*1} | in H ₂ O | (Pa) ^{*1} | (dB) ^{*1} | (g) |
| 04010KA-05L-AA-00 | 1604KL-01W-B30-B00 | 5 | 4.5 ~ 5.5 | 0.075 | 0.375 | 4500 | 4.2 | 0.12 | .096 | 24.0 | 22.0 | 15 |
| 04010KA-05M-AA-00 | 1604KL-01W-B40-B00 | 5 | 4.5 ~ 5.5 | 0.120 | 0.600 | 5500 | 5.3 | 0.15 | .136 | 34.0 | 25.0 | 15 |
| 04010KA-05N-AA-00 | 1604KL-01W-B50-B00 | 5 | 4.5 ~ 5.5 | 0.155 | 0.775 | 6500 | 6.0 | 0.17 | .184 | 46.0 | 29.0 | 15 |
| 04010KA-12L-AA-00 | 1604KL-04W-B30-B00 | 12 | 10.2 ~ 13.8 | 0.062 | 0.744 | 4500 | 4.2 | 0.12 | .096 | 24.0 | 22.0 | 15 |
| 04010KA-12M-AA-00 | 1604KL-04W-B40-B00 | 12 | 10.2 ~ 13.8 | 0.073 | 0.876 | 5500 | 5.3 | 0.15 | .136 | 34.0 | 25.0 | 15 |
| 04010KA-12N-AA-00 | 1604KL-04W-B50-B00 | 12 | 10.2 ~ 13.8 | 0.073 | 0.876 | 6500 | 6.0 | 0.17 | .184 | 46.0 | 29.0 | 15 |

Rotation: Clockwise

Airflow Outlet: Air Out Over Struts

*1: Average Values in Free Air

Note: Locked Rotor/Tach Available