



Chipsmall Limited consists of a professional team with an average of over 10 year of expertise in the distribution of electronic components. Based in Hongkong, we have already established firm and mutual-benefit business relationships with customers from,Europe,America and south Asia,supplying obsolete and hard-to-find components to meet their specific needs.

With the principle of “Quality Parts,Customers Priority,Honest Operation,and Considerate Service”,our business mainly focus on the distribution of electronic components. Line cards we deal with include Microchip,ALPS,ROHM,Xilinx,Pulse,ON,Everlight and Freescale. Main products comprise IC,Modules,Potentiometer,IC Socket,Relay,Connector.Our parts cover such applications as commercial,industrial, and automotives areas.

We are looking forward to setting up business relationship with you and hope to provide you with the best service and solution. Let us make a better world for our industry!



Contact us

Tel: +86-755-8981 8866 Fax: +86-755-8427 6832

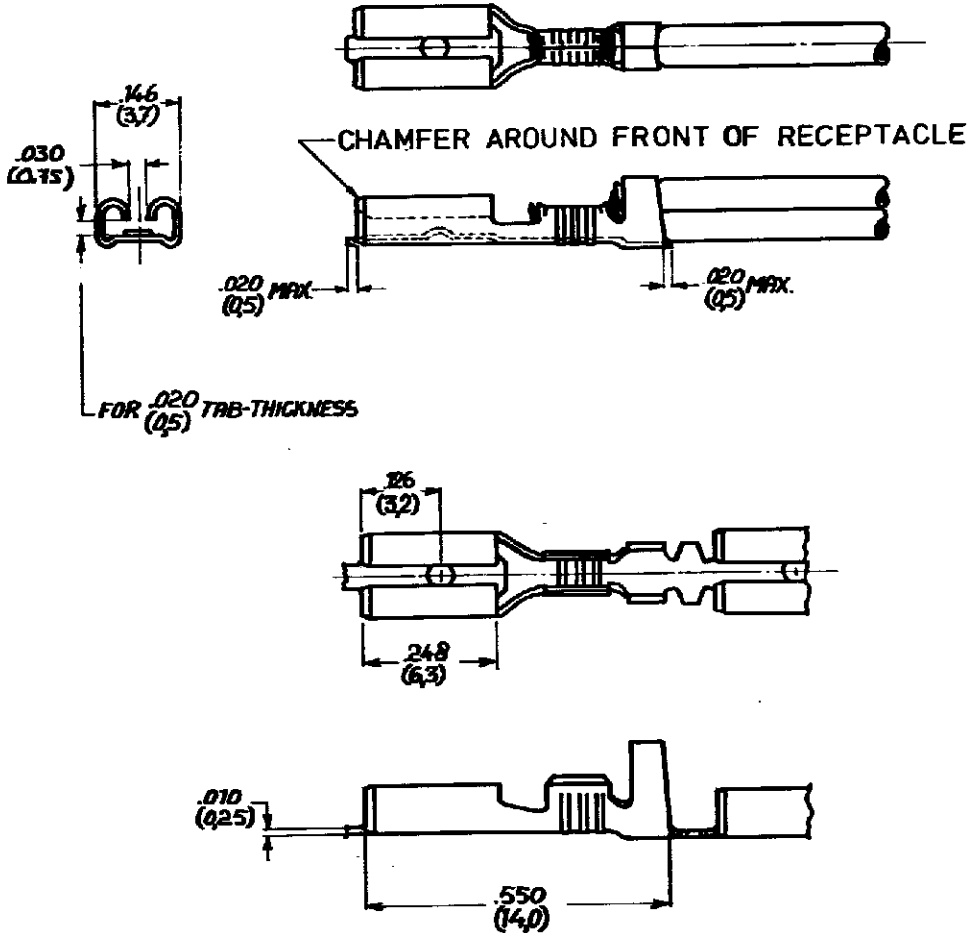
Email & Skype: info@chipsmall.com Web: www.chipsmall.com

Address: A1208, Overseas Decoration Building, #122 Zhenhua RD., Futian, Shenzhen, China



DRAWING MADE IN AMERICAN PROJECTION		LTR.	REVISION RECORD	DR.	CHK.	DATE
		F1	ECO-09-026346	KK	AEG	25NOV09

NUMBER C-160533



1-160533-0	PHOS. BRONZE	1
160533-9	PHOSPHOR BRONZE	PRE-TIN
160533-5	PHOS. BRONZE	TIN
160533-4	PHOS. BRONZE	
160533-3	BRASS	SILVER
160533-2	BRASS	TIN
160533-1	BRASS	

▲ BRIGHT PRE-TINPLATED
 ▲ OBSOLETE PARTS: OBSOLETE CIS STREAMLINING PER D.RENAUD/D.SINISI

CUSTOMER COPY FOR REFERENCE ONLY

©1975 BY AMP-HOLLAND N.V. ALL RIGHTS RESERVED A-MP PRODUCTS COVERED BY PATENTS AND/OR PATENTS PENDING.



DIMENSIONS IN (IN) DO NOT SCALE PRINT

ORDER NO.	MATERIAL	PLATING
DATE 2-1-79	DATE 2-2-84	DATE

WIRE RANGE 06-10	INSUL. RANGE 080-110 DIA	FIRST USED
SCALE 4 ≈ 1	LOC H	SIZE A
NO C-160533		REV F1

NAME 110 Ser. FASTON RECEPTACLE