



Chipsmall Limited consists of a professional team with an average of over 10 year of expertise in the distribution of electronic components. Based in Hongkong, we have already established firm and mutual-benefit business relationships with customers from,Europe,America and south Asia,supplying obsolete and hard-to-find components to meet their specific needs.

With the principle of "Quality Parts,Customers Priority,Honest Operation,and Considerate Service",our business mainly focus on the distribution of electronic components. Line cards we deal with include Microchip,ALPS,ROHM,Xilinx,Pulse,ON,Everlight and Freescale. Main products comprise IC,Modules,Potentiometer,IC Socket,Relay,Connector.Our parts cover such applications as commercial,industrial, and automotives areas.

We are looking forward to setting up business relationship with you and hope to provide you with the best service and solution. Let us make a better world for our industry!



Contact us

Tel: +86-755-8981 8866 Fax: +86-755-8427 6832

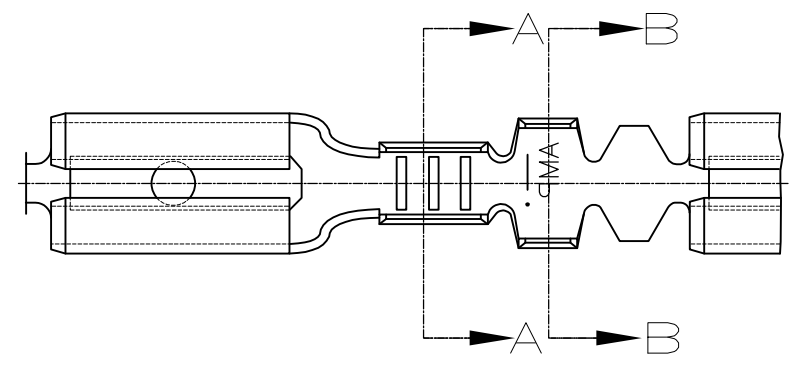
Email & Skype: info@chipsmall.com Web: www.chipsmall.com

Address: A1208, Overseas Decoration Building, #122 Zhenhua RD., Futian, Shenzhen, China



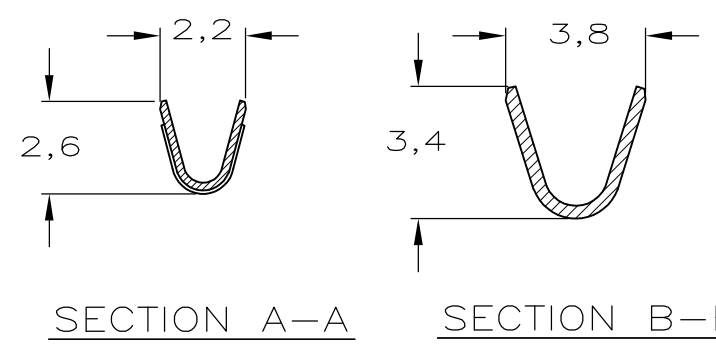
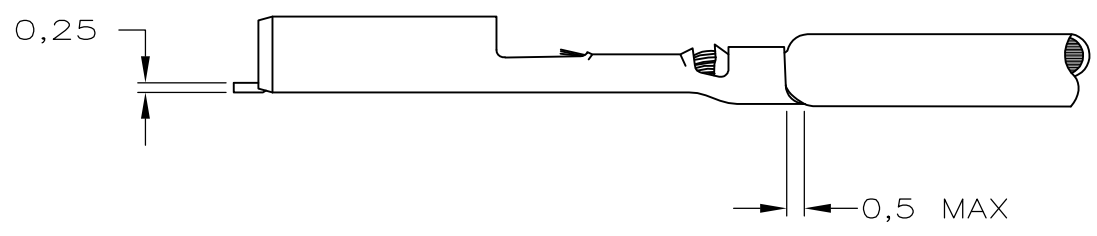
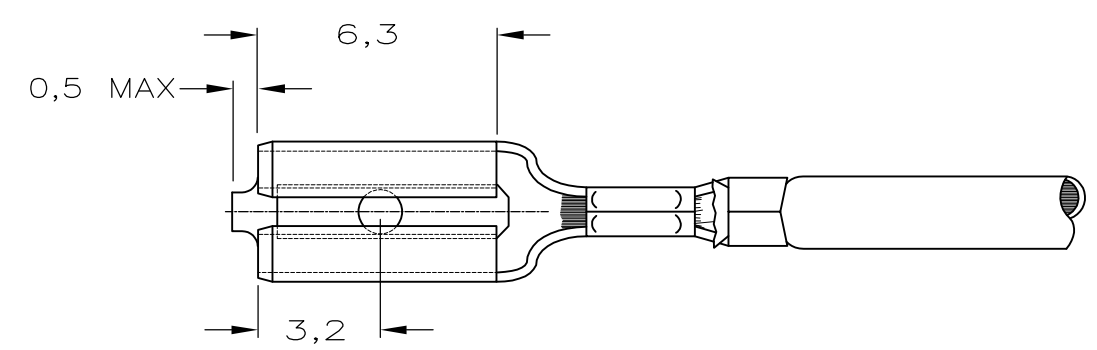
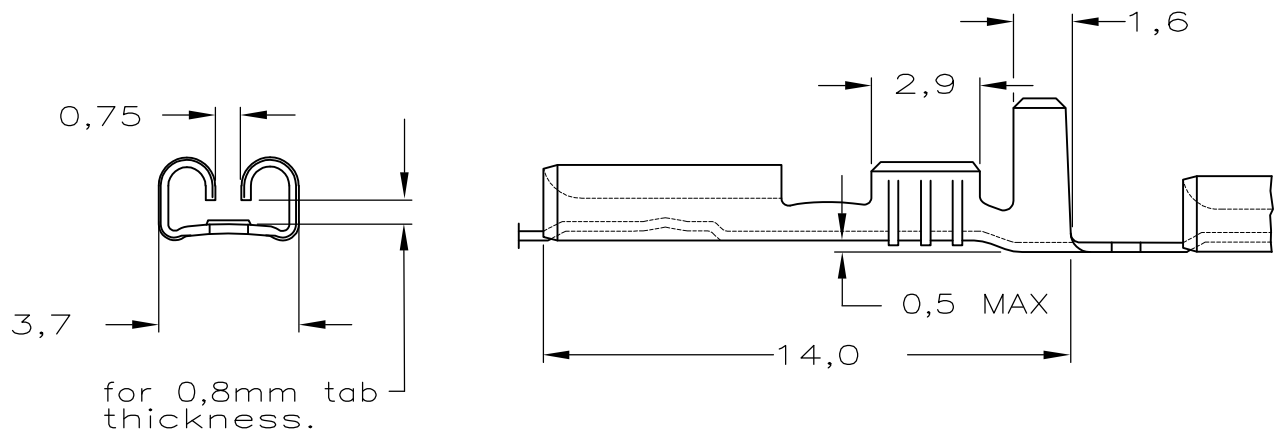
THIS DRAWING IS UNPUBLISHED. RELEASED FOR PUBLICATION
 © COPYRIGHT - By - ALL RIGHTS RESERVED.

LOC	DIST	REVISIONS					
		P	LTR	DESCRIPTION	DATE	DWN	APVD
-	-		F2	REVISED PER ECO-11-005140	28MAR11	RK	HMR

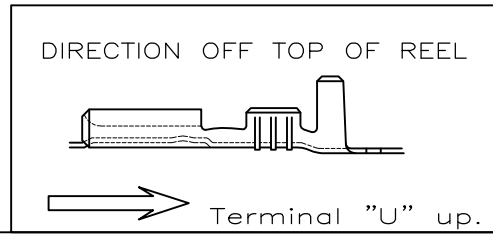


NOTES:

- 1 FOR USE ON MINIATURE APPLICATORS (LEFT-RIGHT FEED) AND STANDARD APPLICATORS (RIGHT-LEFT FEED).
- 2 FOR USE ON MINIATURE APPLICATORS (AMP-O-MATOR APPLICATION) (LEFT-RIGHT FEED).
- 3 REELED WITH PAPERCOVER.
- 4 OBSOLETE PARTS: OBSOLETE CIS STREAMLINING PER D.RENAUD/D.SINISI



WIRE RANGE :
0,5-1,0 mm²
 INSULATION RANGE :
2,0-3,0mm DIA.



NOTES	FINISH	MATERIAL	PARTNUMBER
4 OBSOLETE	3 1	UNPLATED	PH.BRONZE
	3 1	UNPLATED	BRASS
4 OBSOLETE	1	PRE-TINPLATED	PH.BRONZE
	2 1	UNPLATED	PH.BRONZE
	2 1	TINPLATED	BRASS
	2 1	UNPLATED	BRASS
	1	PRE-TINPLATED	BRASS
	1	UNPLATED	PH.BRONZE
	1	SILVERPLATED	BRASS
	1	TINPLATED	BRASS
1	UNPLATED	BRASS	

THIS DRAWING IS A CONTROLLED DOCUMENT.

DWN J.V.D.HEIJDEN. 08-04-92
 CHK A.BIJNEN.
 APVD L.V.SOEST.

STE TE Connectivity

.110 SRS FASTON RECEPTACLE.

PRODUCT SPEC
 APPLICATION SPEC

SIZE A3 CAGE CODE 00779 DRAWING NO C-160534 RESTRICTED TO -

WEIGHT -

CUSTOMER DRAWING SCALE - SHEET 1 OF 1 REV F2