



Chipsmall Limited consists of a professional team with an average of over 10 year of expertise in the distribution of electronic components. Based in Hongkong, we have already established firm and mutual-benefit business relationships with customers from,Europe,America and south Asia,supplying obsolete and hard-to-find components to meet their specific needs.

With the principle of “Quality Parts,Customers Priority,Honest Operation,and Considerate Service”,our business mainly focus on the distribution of electronic components. Line cards we deal with include Microchip,ALPS,ROHM,Xilinx,Pulse,ON,Everlight and Freescale. Main products comprise IC,Modules,Potentiometer,IC Socket,Relay,Connector.Our parts cover such applications as commercial,industrial, and automotives areas.

We are looking forward to setting up business relationship with you and hope to provide you with the best service and solution. Let us make a better world for our industry!



Contact us

Tel: +86-755-8981 8866 Fax: +86-755-8427 6832

Email & Skype: info@chipsmall.com Web: www.chipsmall.com

Address: A1208, Overseas Decoration Building, #122 Zhenhua RD., Futian, Shenzhen, China



Pin/socket, panel feed-through - SM-7EE1N8AS000 - 1605824

Please be informed that the data shown in this PDF Document is generated from our Online Catalog. Please find the complete data in the user's documentation. Our General Terms of Use for Downloads are valid (<http://download.phoenixcontact.com>)



Pin/socket, panel feed-through, straight, M40, M40, Number of positions: 4+3+PE, Type of contact: Socket, Crimp connection, Axial O-ring, 4x Ø4,2, Shielded: Yes, Cable cross section: 0 mm...0 mm



Key commercial data

| | |
|--------------------------------------|------------|
| Packing unit | 1 PCE |
| Weight per Piece (excluding packing) | 707.19 GRM |
| Custom tariff number | 85444290 |
| Country of origin | Germany |

Technical data

General

| | |
|--|------------------|
| Type of locking | M40 |
| Coding | N |
| Contact connection method | Crimp connection |
| Type of contacts | Socket |
| Number of positions | 8 |
| Nominal current per power contact at 25°C | 30 A |
| Nominal current per signal contact at 25°C | 70 A |
| Conductor entry | 0 mm ... 0 mm |
| Mounting type | 4x Ø4,2 |

Ambient conditions

| | |
|----------------------|-------------------|
| Ambient temperature | -20 °C ... 125 °C |
| Degree of protection | IP67 |

Material

| | |
|--------------------|--|
| Housing material | Turned parts: copper zinc alloy (CuZn), die-cast parts: zinc (GD-Zn) |
| Insulator material | PA 66 |

Pin/socket, panel feed-through - SM-7EE1N8AS000 - 1605824

Technical data

Material

| | |
|----------------------------|-----|
| Gasket and O-ring material | FPM |
|----------------------------|-----|

Specifications according to DIN EN 61984:2001

| | |
|--|--------|
| Installation height max. | 3000 m |
| Nominal / operating voltage of power contacts | 250 V |
| Rated surge voltage of power contacts | 4 kV |
| Surge voltage category of power contacts | III |
| Pollution degree of power contacts | 3 |
| Nominal / operating voltage of signal contacts | 630 V |
| Rated surge voltage of signal contacts | 6 kV |
| Surge voltage category of signal contacts | III |
| Pollution degree of signal contacts | 3 |

Classifications

eCl@ss

| | |
|------------|----------|
| eCl@ss 4.0 | 272607xx |
| eCl@ss 4.1 | 27260701 |
| eCl@ss 5.0 | 27260701 |
| eCl@ss 5.1 | 27260701 |
| eCl@ss 6.0 | 27260708 |
| eCl@ss 7.0 | 27440312 |
| eCl@ss 8.0 | 27440312 |

ETIM

| | |
|----------|----------|
| ETIM 3.0 | EC001121 |
| ETIM 4.0 | EC001121 |
| ETIM 5.0 | EC002635 |

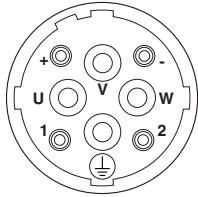
UNSPSC

| | |
|---------------|----------|
| UNSPSC 6.01 | 43172015 |
| UNSPSC 7.0901 | 43201404 |
| UNSPSC 11 | 43172015 |
| UNSPSC 12.01 | 43201404 |
| UNSPSC 13.2 | 43201404 |

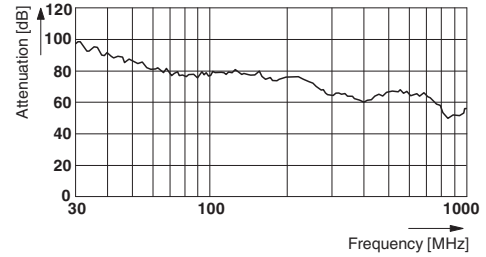
Drawings

Pin/socket, panel feed-through - SM-7EE1N8AS000 - 1605824

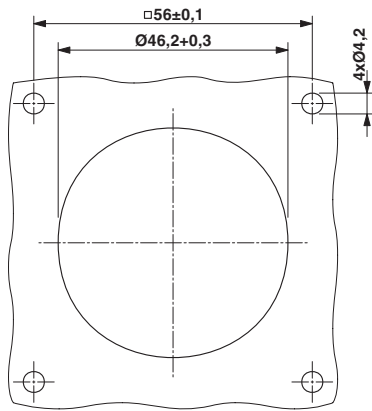
Schematic diagram



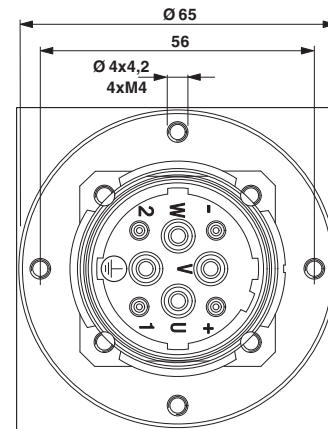
Diagram



Dimensioned drawing



Dimensioned drawing



Dimensioned drawing

