



Chipsmall Limited consists of a professional team with an average of over 10 year of expertise in the distribution of electronic components. Based in Hongkong, we have already established firm and mutual-benefit business relationships with customers from,Europe,America and south Asia,supplying obsolete and hard-to-find components to meet their specific needs.

With the principle of “Quality Parts,Customers Priority,Honest Operation,and Considerate Service”,our business mainly focus on the distribution of electronic components. Line cards we deal with include Microchip,ALPS,ROHM,Xilinx,Pulse,ON,Everlight and Freescale. Main products comprise IC,Modules,Potentiometer,IC Socket,Relay,Connector.Our parts cover such applications as commercial,industrial, and automotives areas.

We are looking forward to setting up business relationship with you and hope to provide you with the best service and solution. Let us make a better world for our industry!



Contact us

Tel: +86-755-8981 8866 Fax: +86-755-8427 6832

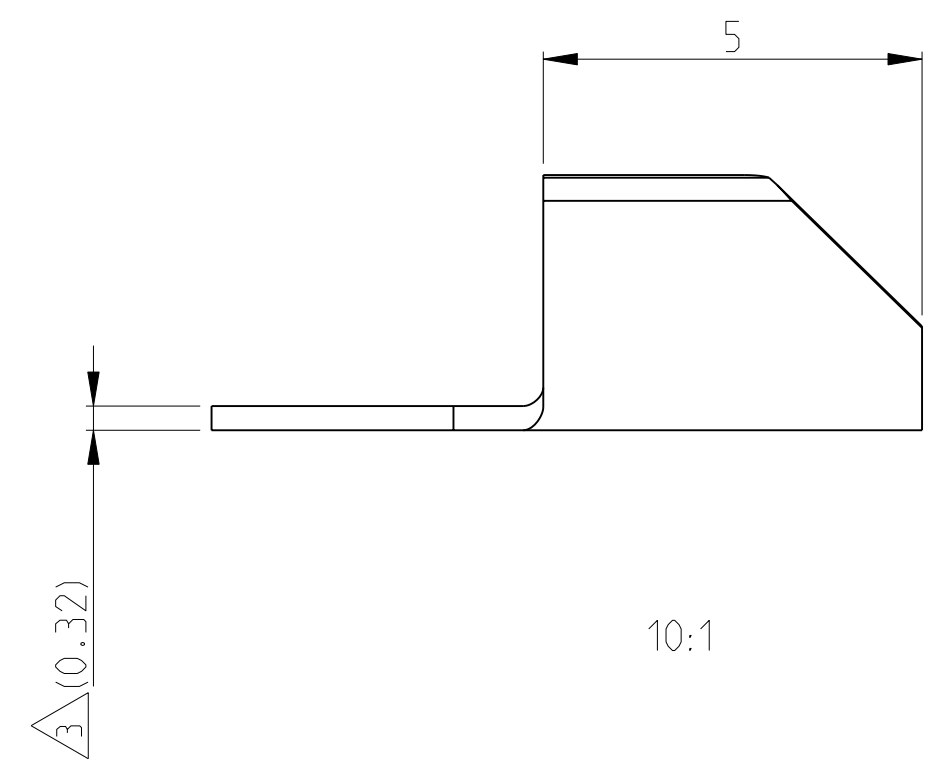
Email & Skype: info@chipsmall.com Web: www.chipsmall.com

Address: A1208, Overseas Decoration Building, #122 Zhenhua RD., Futian, Shenzhen, China

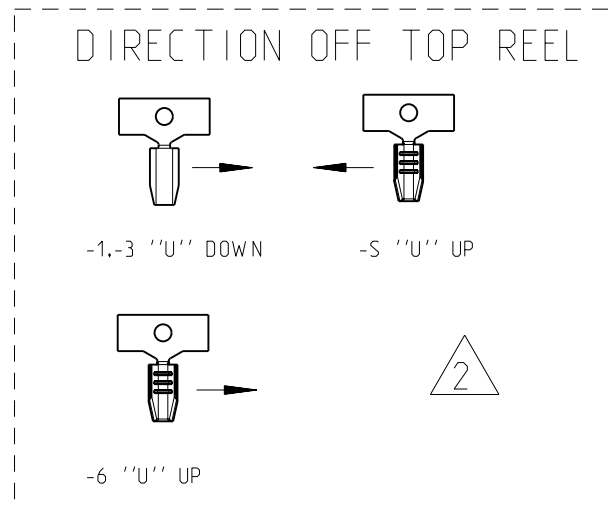
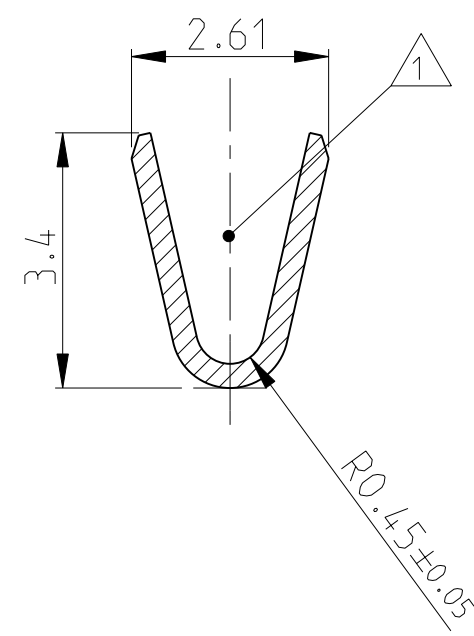
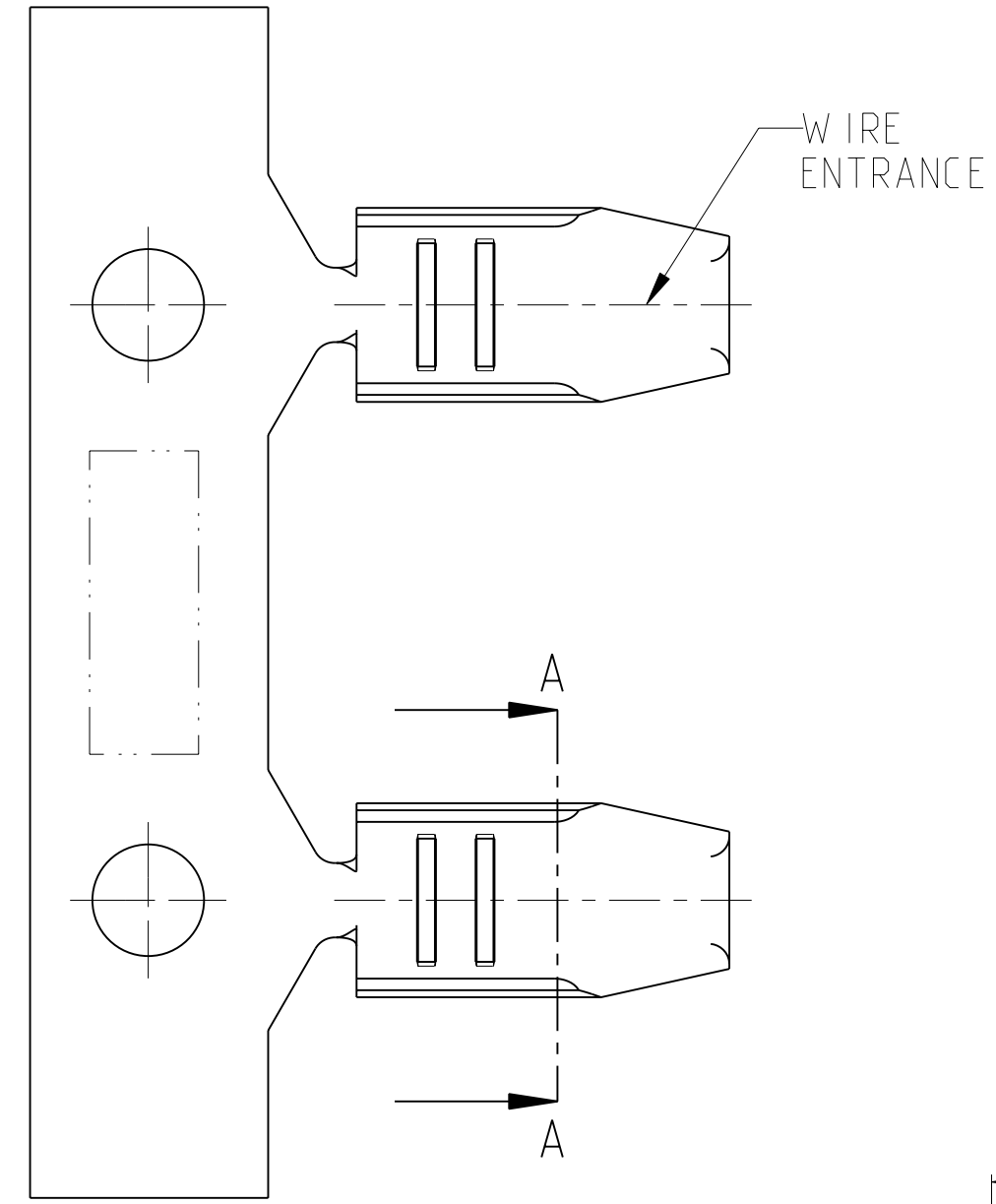
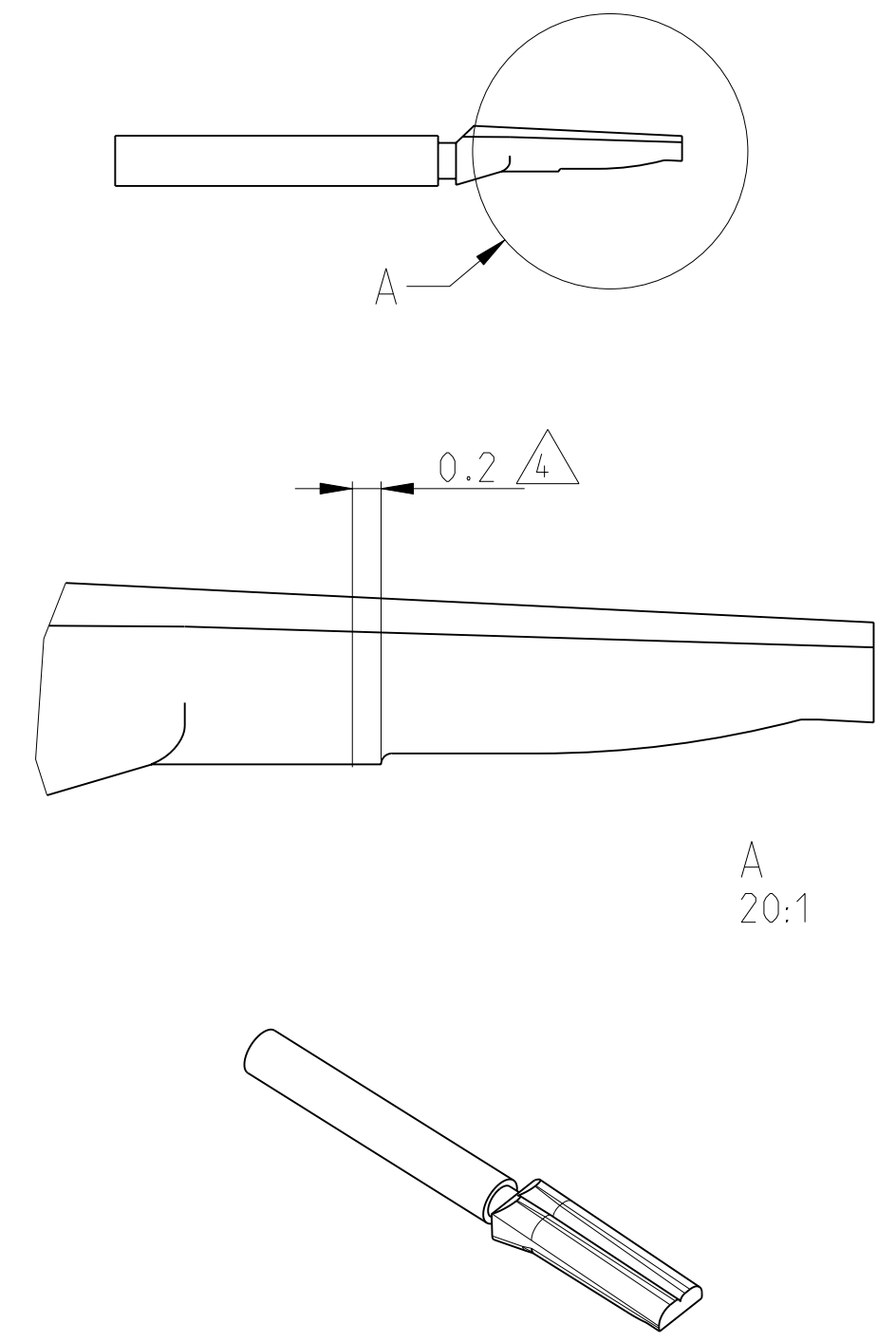


THIS DRAWING IS UNPUBLISHED. RELEASED FOR PUBLICATION 2009
 © COPYRIGHT 2009 ALL RIGHTS RESERVED.

LOC		DIST		REVISIONS			
P	LTR	DESCRIPTION	DATE	DWN	APVD		
N2		REDRAWN TO PRO_E AND NOTES UPDATED	13.03.2009	DZ	TK		
N3		APPLICATION SPEC. INFO ADDED	14APR2010	PKS	RRP		
N4		ECR-10-022530	07JUN2011	KK	HMR		



SHOWN IS CRIMPED CABLE ASSY.



- USING STRANDED WIRE IN COMBINATION WITH MAGNET WIRE
 WIRE RANGE: 255.....1855 CMA (0,13.....0,93mm²)
 Means 26...18 AWG (0,13....0,82 mm²)
 40...26 AWG MAGNET WIRE.
 USING TINNED LEAD WIRE.
 WIRE RANGE: 255...1855 CMA (0,13...0,93 mm²)
 USING COPPER LEAD WIRE.
 WIRE RANGE: 1250...1855 CMA (0,63...0,93 mm²)
- DIRECTION OFF TOP OF REEL
- STOCK THICKNESS
 0,32±0,02
- MEASURING POSITION FOR CRIMP HEIGHT (CH)
- CRIMP HEIGHT DEFINITION :
 PRELIMINARY DEFINITION OF CH FOR MAGNET WIRE:
 (DURING CHANGE OF SPEC.):
 255-800 CMA : 1,17 ± 0,02
 800 - 1200 CMA : 1,22 ± 0,05
 1200 - 1855 CMA : 1,30 ± 0,05
- PERMITTED CONTACT RESISTANCE AT NEW PART: ΔR ≤ 20 mΩ
 ESPECIALLY AT MAGNET WIRES D < 0,3 mm THE FREE WIRE LENGHT
 IN THE AMPLIVAR IS TO BE CONSIDERED#

FINISH	MATERIAL	PART NO	REV
PRETINNED	BRASS	160631-6	N
PRETINNED	BRASS	160631-5	N
PRETINNED	BRASS	160631-3	N

THIS DRAWING IS A CONTROLLED DOCUMENT.		DWN D.Zersen 13.03.2009	TE Connectivity MINIATURE AMPLIVAR SPLICE		
DIMENSIONS: mm		CHK H.Ballmert 13.03.2009			NAME
TOLERANCES UNLESS OTHERWISE SPECIFIED:		APVD T.Klenner 13.03.2009			SIZE
0 PLC ±0,2 1 PLC ±0,2 2 PLC ±0,2 3 PLC ±0,2 4 PLC ±0,2 ANGLES ±2°		PRODUCT SPEC			CAGE CODE
MATERIAL	FINISH	APPLICATION SPEC 114-2006	DRAWING NO	RESTRICTED TO	
-	-	WEIGHT	A2 00779 C=160631	-	
CUSTOMER DRAWING			SCALE 5:1	SHEET 1 OF 1 REV N4	