



Chipsmall Limited consists of a professional team with an average of over 10 year of expertise in the distribution of electronic components. Based in Hongkong, we have already established firm and mutual-benefit business relationships with customers from,Europe,America and south Asia,supplying obsolete and hard-to-find components to meet their specific needs.

With the principle of “Quality Parts,Customers Priority,Honest Operation,and Considerate Service”,our business mainly focus on the distribution of electronic components. Line cards we deal with include Microchip,ALPS,ROHM,Xilinx,Pulse,ON,Everlight and Freescale. Main products comprise IC,Modules,Potentiometer,IC Socket,Relay,Connector.Our parts cover such applications as commercial,industrial, and automotives areas.

We are looking forward to setting up business relationship with you and hope to provide you with the best service and solution. Let us make a better world for our industry!



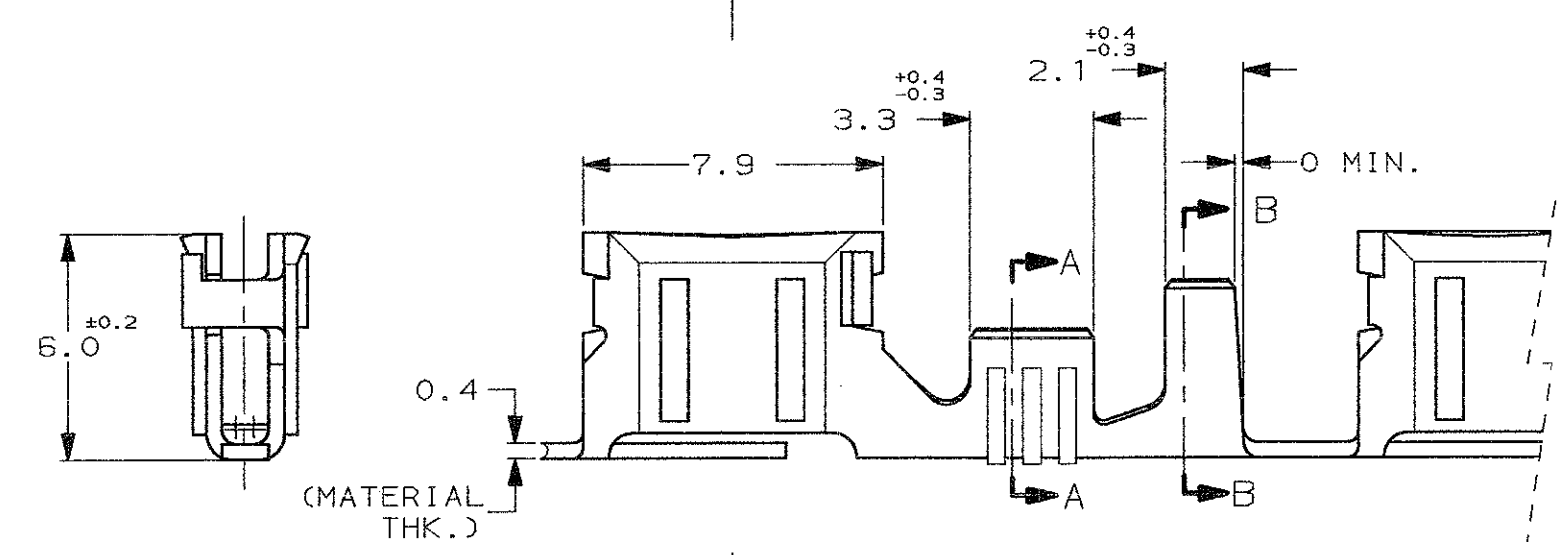
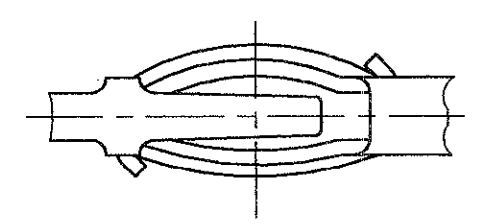
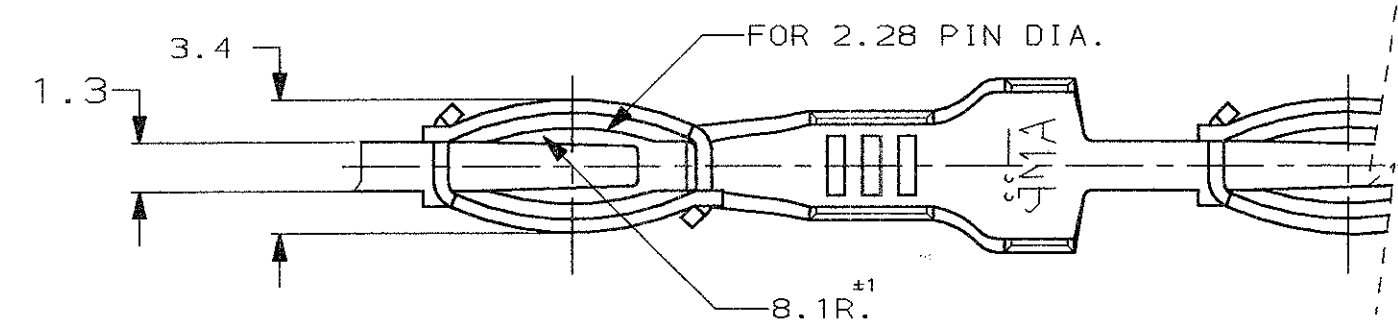
Contact us

Tel: +86-755-8981 8866 Fax: +86-755-8427 6832

Email & Skype: info@chipsmall.com Web: www.chipsmall.com

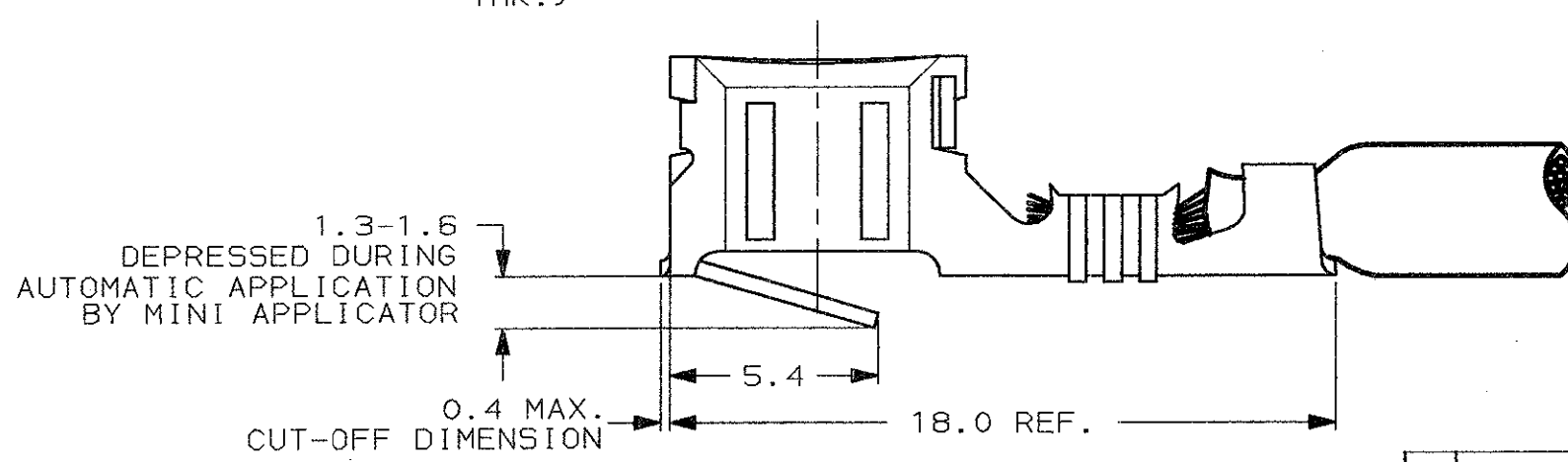
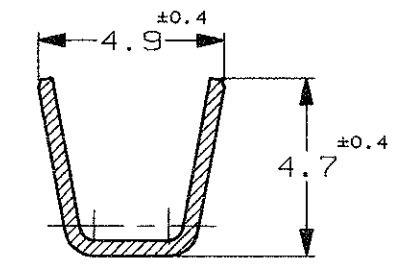
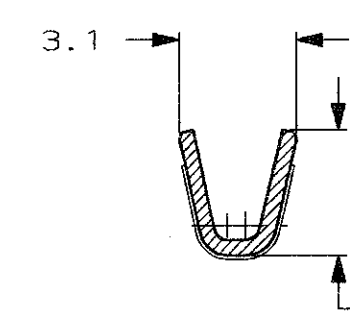
Address: A1208, Overseas Decoration Building, #122 Zhenhua RD., Futian, Shenzhen, China



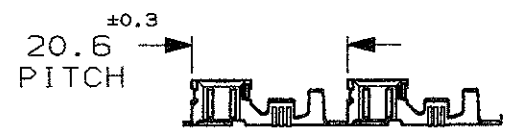


SEZIONE A-A
(SECTION A-A)

SEZIONE B-B
(SECTION B-B)



1) STATO DI FORNITURA -SCALA 1:1-
(SUPPLY CONDITION -SCALE 1:1-)



SENSO DI USCITA
DEL TERMINALE
DALLA BOBINA
(DIRECTION OFF
TOP OF REEL)

2) CONFEZIONATO IN ACCORDO ALLA AMP SPEC. 107-20211.
(PACKAGING ACCORDING TO AMP SPEC. 107-20211).

STAGNATO (TIN PLATED)	BRONZO FOSF. (PH. BRONZE)	0-160640-2	Z
NUDO (UNPLATED)	BRONZO FOSF. (PH. BRONZE)	0-160640-1	Z
FINITURA / COLORE (FINISH / COLOUR)	MATERIALE (MATERIAL)	NUMERO (AMP P/N)	REV

CUSTOMER DWG. FOR REFERENCE ONLY DISEGNO PER CLIENTE SOLO PER RIFERIMENTO

THIS DRAWING IS UNPUBLISHED RELEASE FOR PUBLICATION 19

© COPYRIGHT 19 BY AMP INCORPORATED, HARRISBURG, PA. ALL INTERNATIONAL RIGHT RESERVED. AMP PRODUCTS MAY BE COVERED BY U.S. AND FOREIGN PATENT AND/OR PATENT PENDING

TOLLERANZE, SE NON DIVERSAMENTE SPECIFICATO (TOLERANCES, UNLESS OTHERWISE SPECIFIED)	DIAM. ISOLANTE (INS. DIA. RANGE) mm	RANGO FILO (WIRE RANGE) 18-16 AWG (0.8-1.5 mm ²) REF.	SCALA (SCALE) 5:1
± 0.3	3.4-4.1		

ANGOLI (ANGLES) ± 2°

AMP AMP ITALIA S.p.A.
Corso F.lli Cervi, 15
COLLEGNO (TORINO)

DIS. H. YAALI (DR.) 11 JAN 2000
CONT. C. TARTARI (CHK) 11 JAN 2000

DESCRIZIONE (DESCRIPTION)
SNAP-IN CLUSTER REC. CONTACT

REV. (REV. NO.)	REVISIONI (REVISION RECORD)	DIS. DATA (DR. DATE)
Z	REVISED & REDRAWN ETOO-0407-99	H. Y. 11 JAN 2000

LOC. (LOC.)	SIZE (SIZE)	NUMERO (DWG NO)	REV.	FOGLIO (SHEET)
I	A3	C-160640	Z	1 DI 1

DISTRIBUZIONE (PRINT DIST.)