



Chipsmall Limited consists of a professional team with an average of over 10 year of expertise in the distribution of electronic components. Based in Hongkong, we have already established firm and mutual-benefit business relationships with customers from,Europe,America and south Asia,supplying obsolete and hard-to-find components to meet their specific needs.

With the principle of “Quality Parts,Customers Priority,Honest Operation,and Considerate Service”,our business mainly focus on the distribution of electronic components. Line cards we deal with include Microchip,ALPS,ROHM,Xilinx,Pulse,ON,Everlight and Freescale. Main products comprise IC,Modules,Potentiometer,IC Socket,Relay,Connector.Our parts cover such applications as commercial,industrial, and automotives areas.

We are looking forward to setting up business relationship with you and hope to provide you with the best service and solution. Let us make a better world for our industry!



Contact us

Tel: +86-755-8981 8866 Fax: +86-755-8427 6832

Email & Skype: info@chipsmall.com Web: www.chipsmall.com

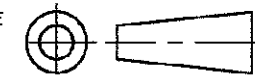
Address: A1208, Overseas Decoration Building, #122 Zhenhua RD., Futian, Shenzhen, China



DO NOT SCALE
DIMENSIONS IN mm

METRIC

THIRD ANGLE
PROJECTION



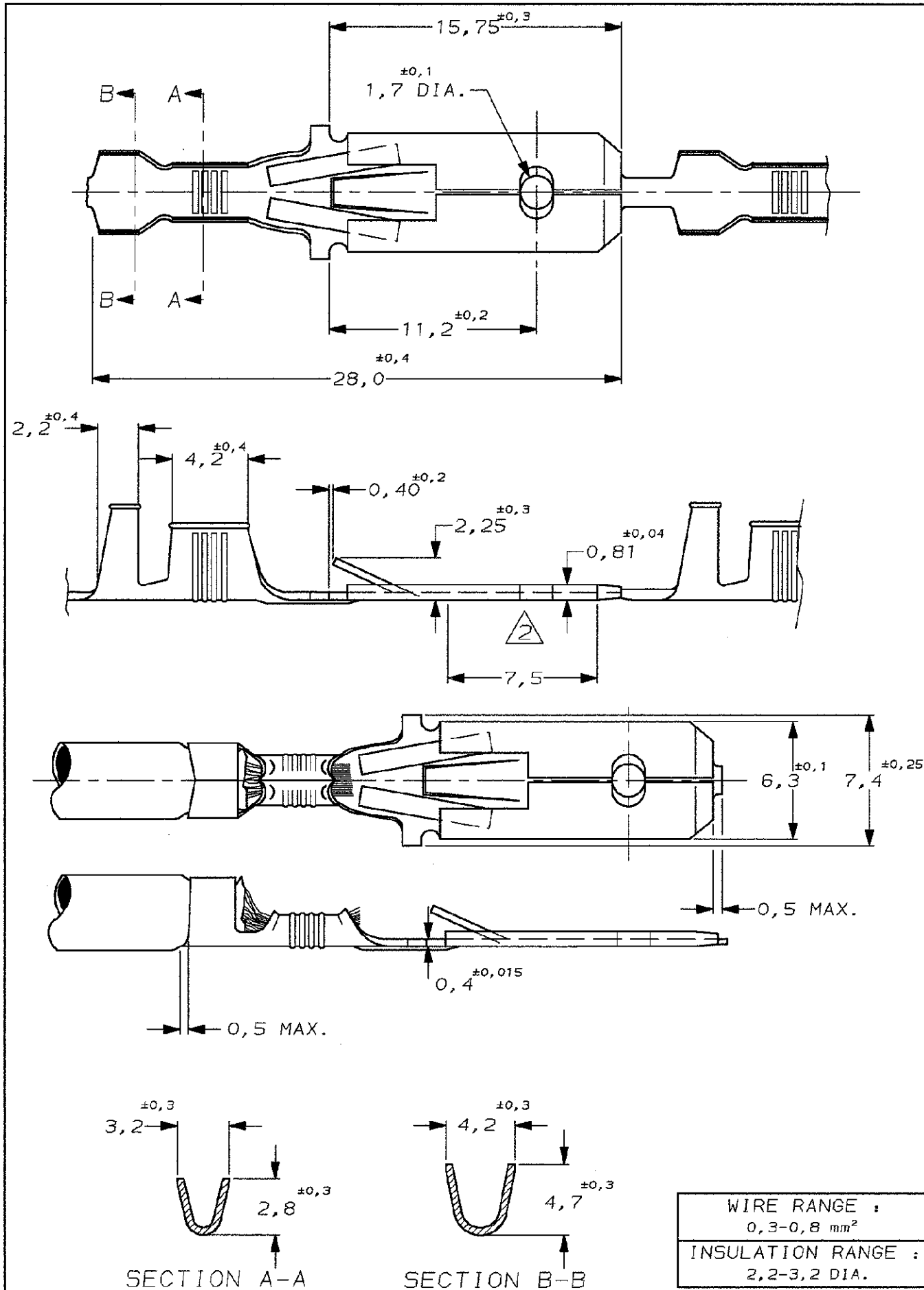
NOTES:

1 FOR USE ON MINIATURE APPLICATORS (LEFT-RIGHT FEED)
AMP-O-MATOR APPLICATION.

2 DIM 0,81^{±0,04} TO BE MEASURED OVER A LENGTH 7,5mm
AS INDICATED

3 OBSOLETE PARTS: OBSOLETE CIS STREAMLINING PER D.RENAUD/D.SINISI

UNPUBLISHED DRAWING : AMP RIGHTS RESERVED
This drawing is supplied to.....
.....for use by
.....
or its nominated suppliers for the purpose
of inspecting AMP-PRODUCTS.
AMP-HOLLAND B.V.
DATE.....
SIGNATURE.....



3 OBSOLETE		FINISH	MATERIAL	PARTNUMBER
		UNPLATED	PH. BRONZE	160645-3
		TINPLATED	BRASS	160645-2
		UNPLATED	BRASS	160645-1
RESTRICTED CUSTOMER FOR REFERENCE ONLY WILL NOT BE UPDATED				
© COPYRIGHT 19- BY AMP HOLLAND B.V. ALL INTERNATIONAL RIGHTS RESERVED. AMP PRODUCTS MAY BE COVERED BY U.S. AND FOREIGN AND/OR PATENTS PENDING. THIS DRAWING IS UNPUBLISHED RELEASED FOR PUBLICATION				
01 REV PER ECO-10-000444		KK	AEG	09JAN10
0 EH-0933-97		D.K.	R.V.	27 AUG 97
LTR. REVISION RECORD		DR.	CHK.	DATE
DR.: D. KESSLER		CHK.: R. VOS	APP.: -	DWG.No.
DATE: 27 AUG 97		DATE: -	DATE: -	C-160645
		REV.LTR.	SHEET	
		01	1 OF 1	A3