



Chipsmall Limited consists of a professional team with an average of over 10 year of expertise in the distribution of electronic components. Based in Hongkong, we have already established firm and mutual-benefit business relationships with customers from,Europe,America and south Asia,supplying obsolete and hard-to-find components to meet their specific needs.

With the principle of "Quality Parts,Customers Priority,Honest Operation,and Considerate Service",our business mainly focus on the distribution of electronic components. Line cards we deal with include Microchip,ALPS,ROHM,Xilinx,Pulse,ON,Everlight and Freescale. Main products comprise IC,Modules,Potentiometer,IC Socket,Relay,Connector.Our parts cover such applications as commercial,industrial, and automotives areas.

We are looking forward to setting up business relationship with you and hope to provide you with the best service and solution. Let us make a better world for our industry!



Contact us

Tel: +86-755-8981 8866 Fax: +86-755-8427 6832

Email & Skype: info@chipsmall.com Web: www.chipsmall.com

Address: A1208, Overseas Decoration Building, #122 Zhenhua RD., Futian, Shenzhen, China



THIS DRAWING IS UNPUBLISHED.
VERTRAULICHE UNVERÖFFENTLICHTE ZEICHNUNG

RELEASED FOR PUBLICATION
FREI FUER VERÖFFENTLICHUNG
OCT, 1999.
ALL RIGHTS RESERVED.
ALLE RECHTE VORBEHALTEN

LOC
IR

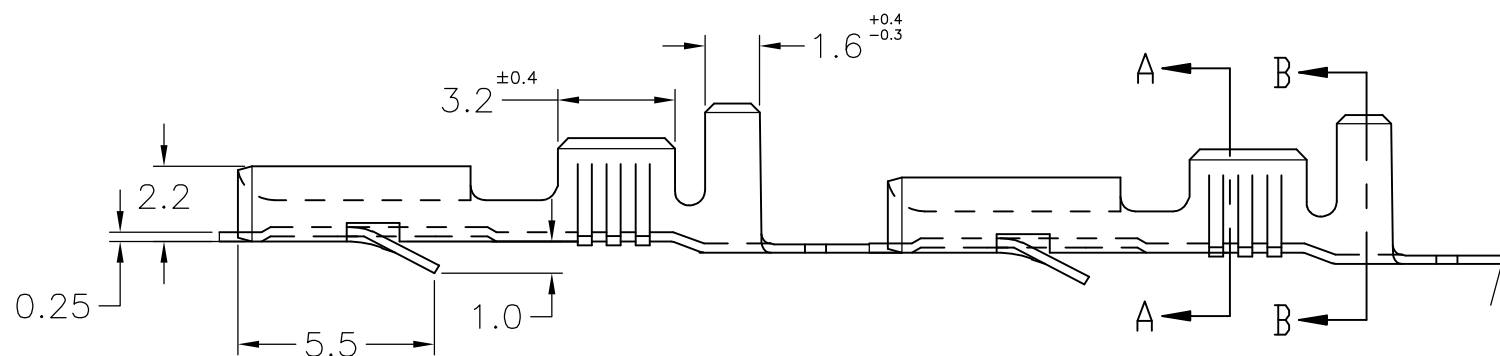
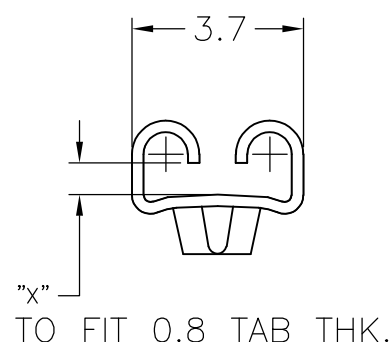
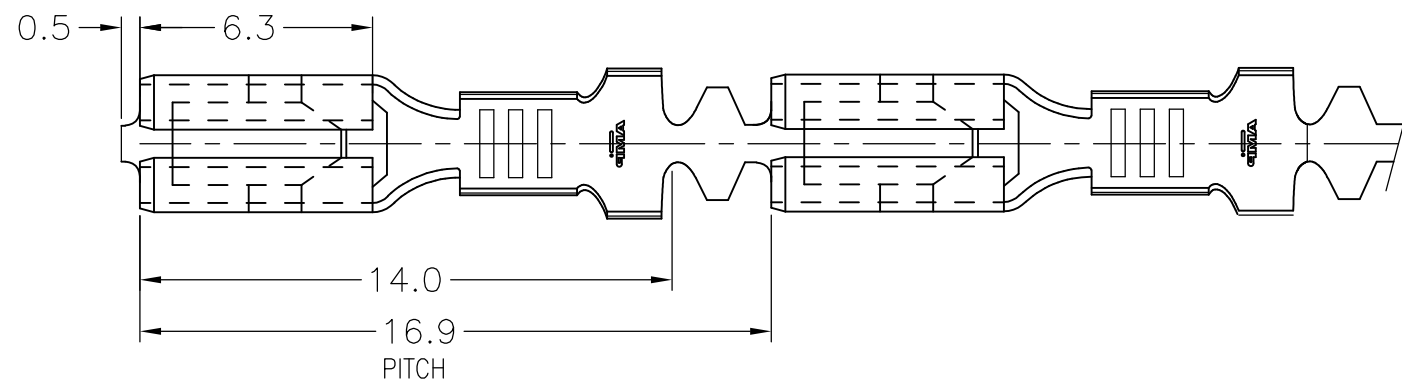
DIST
—

REVISIONS
ÄNDERUNGEN
DESCRIPTION
BESCHREIBUNG

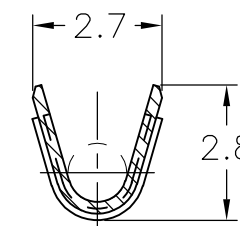
P LTR
AG2

GAP SIZE TOLERANCE CORRECTED

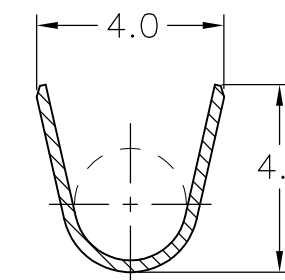
DATE DWN APVD
22JUL2011 PKS RRP



SECTION A-A

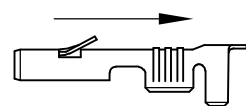


SECTION B-B



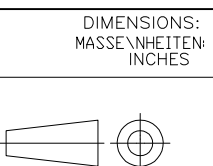
0.74±0.08	PRE-TINNED	BRASS	1-160655-1	AF
0.68±0.08	TIN PLATED	BRASS	160655-6	AF
	SILVER PLATED	BRASS	160655-5	AF
	PRE-TINNED	PH.BRONZE	160655-4	AF
	UNPLATED	PH.BRONZE	160655-3	AF
	PRE-TINNED	BRASS	160655-2	AF
	UNPLATED	BRASS	160655-1	AF
"X"	FINISH/COLOR	MATERIAL	PN	REV

SUPPLY CONDITION



DIRECTION OFF TOP OF REEL

THIS DRAWING IS A CONTROLLED DOCUMENT.
DIESE ZEICHNUNG IST EIN KONTROLLIERTES DOKUMENT.



DIMENSIONS: MASSE/HEITEN/INCHES

TOLERANCES UNLESS OTHERWISE SPECIFIED: ALLGEMEINTOLERANZEN

0 PLC	± 0.3
1 PLC	± 0.3
2 PLC	± 0.3
3 PLC	± 0.3
4 PLC	± 0.3
ANGLES/WINKEL	± 2'

FINISH/OBERFLAECHE/FARBE

SEE TABLE

DWN H.YAALI 12 OCT 99

CHK C.TARTARI 12 OCT 99

APVD —

PRODUCT SPEC PRODUKTSPEZ.

APPLICATION SPEC VERARBEITUNGSSPEZ.

WEIGHT GEWICHT —



TE Connectivity
FASTIN-FASTON CONNECTOR
.110 SRS REC. CONTACT

SIZE	CAGE CODE	DRAWING NO ZEICHNUNGS-NR.	RESTRICTED TO NUR FUER
A3	00779	C-160655	—

WIRE RANGE	0.5-1.5 mm ²
INSUL. RANGE	2.0-3.0

MATERIAL
SEE TABLE

FINISH/OBERFLAECHE/FARBE
SEE TABLE

CUSTOMER DRAWING/KUNDENZEICHNUNG SCALE MASSSTAB 5 SHEET BLATT 1 OF VON 1 REV AG2