



Chipsmall Limited consists of a professional team with an average of over 10 year of expertise in the distribution of electronic components. Based in Hongkong, we have already established firm and mutual-benefit business relationships with customers from,Europe,America and south Asia,supplying obsolete and hard-to-find components to meet their specific needs.

With the principle of “Quality Parts,Customers Priority,Honest Operation,and Considerate Service”,our business mainly focus on the distribution of electronic components. Line cards we deal with include Microchip,ALPS,ROHM,Xilinx,Pulse,ON,Everlight and Freescale. Main products comprise IC,Modules,Potentiometer,IC Socket,Relay,Connector.Our parts cover such applications as commercial,industrial, and automotives areas.

We are looking forward to setting up business relationship with you and hope to provide you with the best service and solution. Let us make a better world for our industry!



Contact us

Tel: +86-755-8981 8866 Fax: +86-755-8427 6832

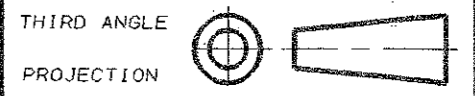
Email & Skype: info@chipsmall.com Web: www.chipsmall.com

Address: A1208, Overseas Decoration Building, #122 Zhenhua RD., Futian, Shenzhen, China

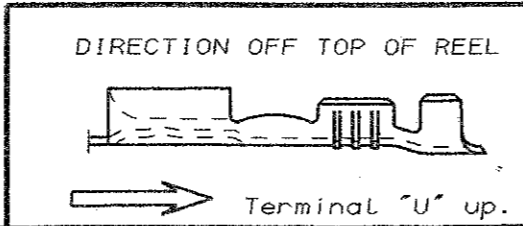
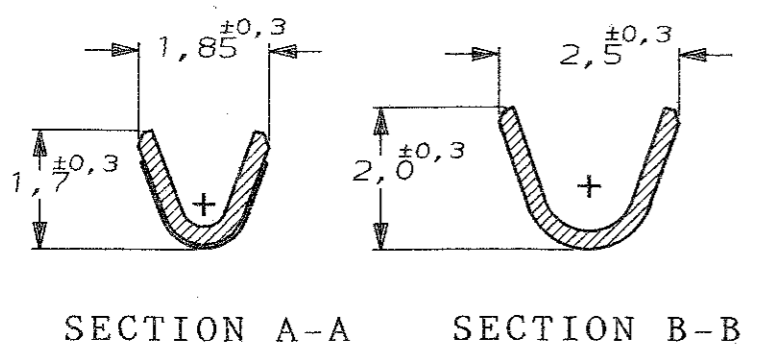
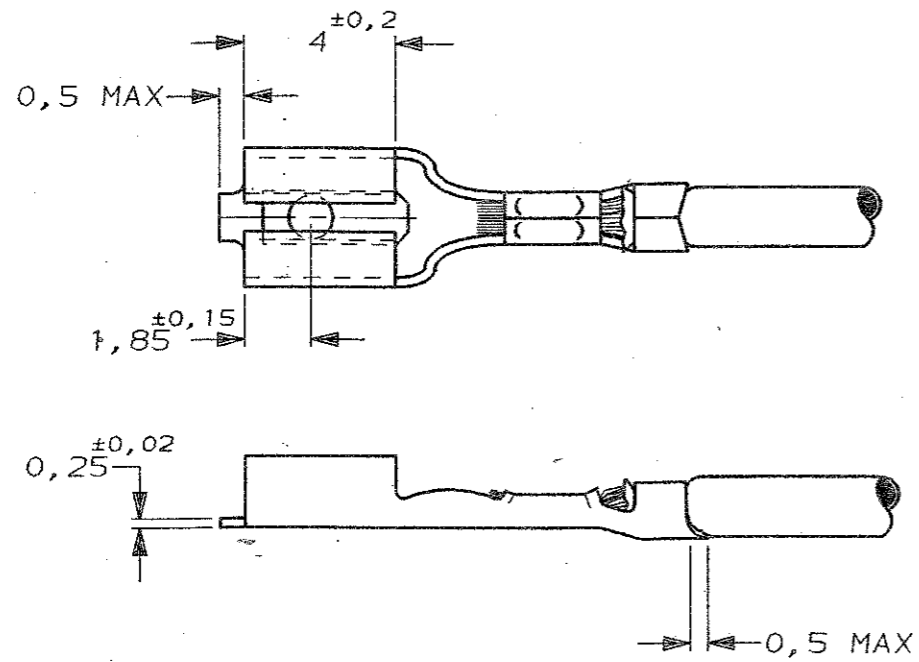
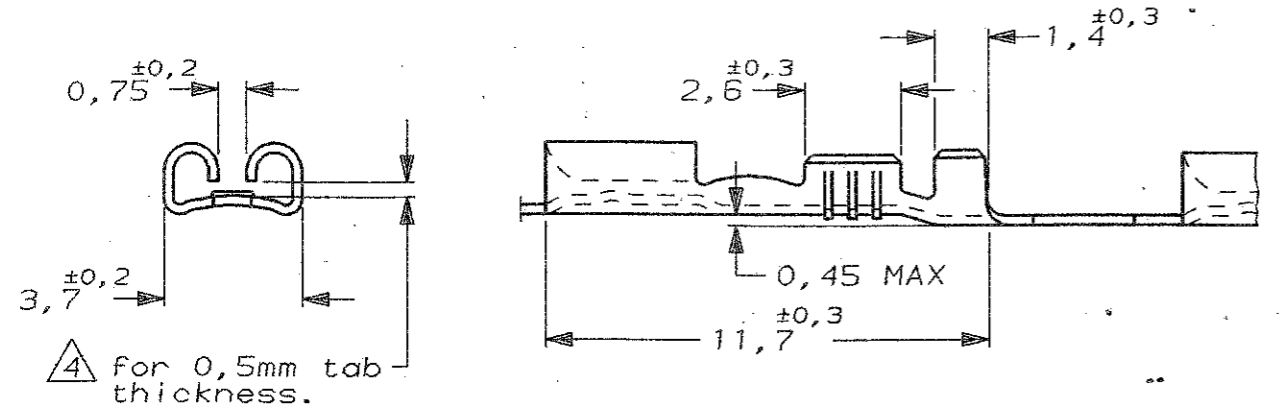
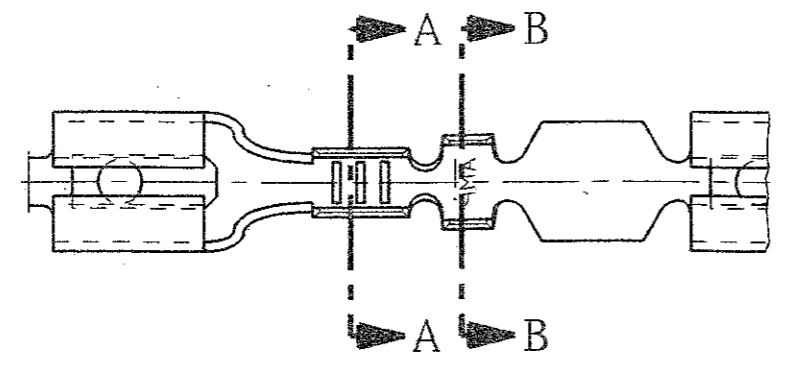


DO NOT SCALE
DIMENSIONS IN mm

METRIC



REVISION				
LTR	DESCRIPTION	DATE	DWN	APVD
K1	REV PER ECO-09-022178	17DEC09	KK	AEG



NOTES

- △1 FOR USE ON MINIATURE APPLICATORS (LEFT-RIGHT FEED) AND STANDARD APPLICATORS (RIGHT-LEFT FEED).
- △2 BRASS ACC ASTM B36 ALLOY 260.
- △3 PH.BRONZE ACC ASTM B103.
- △4 GAGE 0,45 MUST NOT ENTER , GAGE 0,33 MUST ENTER.
- △5 OBSOLETE PARTS: OBSOLETE CIS STREAMLINING PER D.RENAUD/D.SINISI

NOTES	FINISH	MATERIAL	PARTNUMBER
△1 △2	TINPLATED	BRASS	160666-5
△1 △3	TINPLATED	PH.BRONZE	160666-4
△1 △2	UNPLATED	BRASS	160666-3
△1 △3	GOLDPLATED	PH.BRONZE	160666-2
△1 △3	UNPLATED	PH.BRONZE	160666-1

CUSTOMER DRAWING

FOR REFERENCE ONLY
WILL NOT BE UPDATED

AMP AMP-HOLLAND B.V.
's-Hertogenbosch, The Netherlands.

THIS DRAWING IS UNPUBLISHED RELEASED FOR PUBLICATION oct , 1986

© COPYRIGHT 1986 BY AMP-HOLLAND B.V.
ALL INTERNATIONAL RIGHTS RESERVED.
AMP PRODUCTS MAY BE COVERED BY U.S. AND FOREIGN PATENTS AND/OR PATENTS PENDING.

DR.	DATE	WIRE RANGE	NAME	REV. DATE
R.v.Lokven	06.10.86	0,12-0,35mm ²	.110 SRS FASTON RECEPTACLE. (short version).	D M Y
CHK. A.B.	07.10.86	INSUL. RANGE 0,9-1,6mmDIA		06 10 86
APP. L.v.Soest	07.10.86	SIZE A3	SHEET 1 OF 1	DWG. No. C-160666
				REV. LTR. R1 K1

8 | 7 | 6 | 5 | 4 | 3 | 2 | 1