



Chipsmall Limited consists of a professional team with an average of over 10 year of expertise in the distribution of electronic components. Based in Hongkong, we have already established firm and mutual-benefit business relationships with customers from,Europe,America and south Asia,supplying obsolete and hard-to-find components to meet their specific needs.

With the principle of “Quality Parts,Customers Priority,Honest Operation,and Considerate Service”,our business mainly focus on the distribution of electronic components. Line cards we deal with include Microchip,ALPS,ROHM,Xilinx,Pulse,ON,Everlight and Freescale. Main products comprise IC,Modules,Potentiometer,IC Socket,Relay,Connector.Our parts cover such applications as commercial,industrial, and automotives areas.

We are looking forward to setting up business relationship with you and hope to provide you with the best service and solution. Let us make a better world for our industry!



Contact us

Tel: +86-755-8981 8866 Fax: +86-755-8427 6832

Email & Skype: info@chipsmall.com Web: www.chipsmall.com

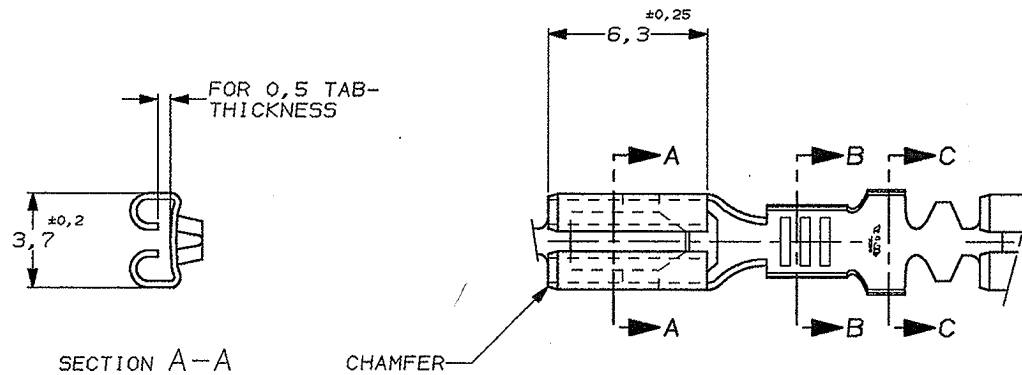
Address: A1208, Overseas Decoration Building, #122 Zhenhua RD., Futian, Shenzhen, China



DO NOT SCALE
DIMENSIONS IN mm

METRIC

THIRD ANGLE
PROJECTION

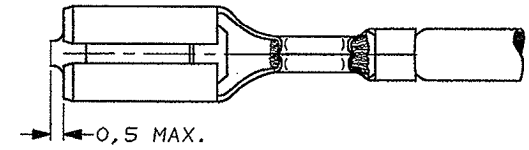


SECTION A-A

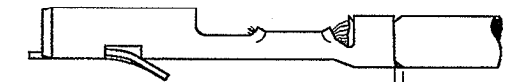
CHAMFER

NOTES:

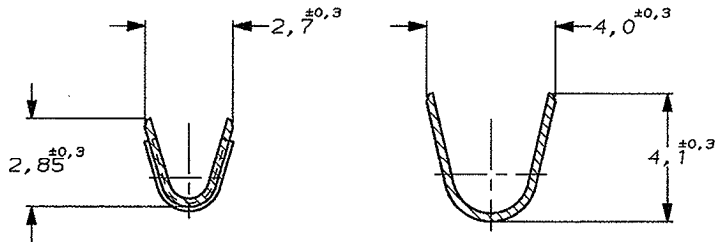
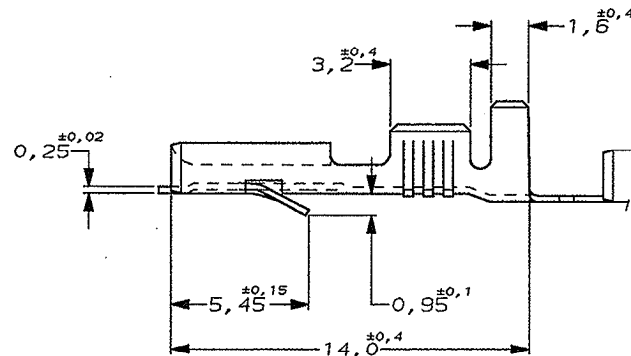
- ⚠ FOR USE ON MINIATURE APPLICATORS (LEFT-RIGHT FEED).
- ⚠ FOR USE ON MINIATURE APPLICATORS (LEFT-RIGHT FEED; AMP-O-MATOR APPLICATION).
- ⚠ REELED WITH PAPERCOVER.
- ⚠ OBSOLETE PARTS: OBSOLETE CIS STREAMLINING PER D.RENAUD/D.SINISI



← 0,5 MAX.



← 0,5 MAX.



SECTION B-B

SECTION C-C

WIRE RANGE :
0,5-1,0 mm²
INSULATION RANGE :
2,0-3,0 DIA.

⚠	SILVERPLATED	PHOSPHORBRONZE	1	160684-9	W
OBSOLETE	SILVERPLATED	BRASS	1	160684-8	W
OBSOLETE	PRE-TIN	BRASS	1 3	160684-7	W
	PRE-TIN	BRASS	1	160684-4	W
	UNPLATED	BRASS	1	160684-3	W
	PRE-TIN	PHOSPHORBRONZE	1 2	160684-2	W
OBSOLETE	UNPLATED	PHOSPHORBRONZE	1	160684-1	W

				FINISH		MATERIAL		PARTNUMBER		REV
-	-	-	-	-	-	-	-	-	-	-
W3	PART STATUS UPDATED	PKS	RRP	14MAR13	CUSTOMER DRAWING					FOR REFERENCE ONLY WILL NOT BE UPDATED
W2	ECR-10-022530	KK	HMR	03FEB11	© COPYRIGHT 19- BY TE HOLLAND B.V. ALL INTERNATIONAL RIGHTS RESERVED. TE PRODUCTS MAY BE COVERED BY U.S. AND FOREIGN AND/OR PATENTS PENDING.					
W1	REVISED PER ECO-10-000444	KK	AEG	09JAN10	THIS DRAWING IS UNPUBLISHED RELEASED FOR PUBLICATION					
W	ECR-05-003026	HY	GT	06 OCT 05	TE Connectivity					
L	EH-1513-98	D.K.	A.B.	24 SEP 98	NAME					
K	EH-0791-97	D.K.	R.V.	21 JUL 97	.110 SER. FASTIN-ON RECEPTACLE					
LTR.	REVISION RECORD	DR.	CHK.	DATE						
DR.	D. KESSLER	CHK.	R. VOS	APP.	DWG. No.		SHEET		REV.	
DATE:	21 JUL 97	DATE:	-	DATE:	C-160684		A3		1 OF 1	
									W3	