



Chipsmall Limited consists of a professional team with an average of over 10 year of expertise in the distribution of electronic components. Based in Hongkong, we have already established firm and mutual-benefit business relationships with customers from,Europe,America and south Asia,supplying obsolete and hard-to-find components to meet their specific needs.

With the principle of “Quality Parts,Customers Priority,Honest Operation,and Considerate Service”,our business mainly focus on the distribution of electronic components. Line cards we deal with include Microchip,ALPS,ROHM,Xilinx,Pulse,ON,Everlight and Freescale. Main products comprise IC,Modules,Potentiometer,IC Socket,Relay,Connector.Our parts cover such applications as commercial,industrial, and automotives areas.

We are looking forward to setting up business relationship with you and hope to provide you with the best service and solution. Let us make a better world for our industry!



Contact us

Tel: +86-755-8981 8866 Fax: +86-755-8427 6832

Email & Skype: info@chipsmall.com Web: www.chipsmall.com

Address: A1208, Overseas Decoration Building, #122 Zhenhua RD., Futian, Shenzhen, China



Contact insert set - VC-AR2/3M-S666-SET - 1607359

Please be informed that the data shown in this PDF Document is generated from our Online Catalog. Please find the complete data in the user's documentation. Our General Terms of Use for Downloads are valid (<http://phoenixcontact.com/download>)



Contact insert set for mounting side, sleeve frame with PE, 4 fixing screws, 6-pos. contact inserts preassembled, 6 coding profiles, 2 mounting flanges

The illustration shows the 18-pos. version

Product Features

- Compact design
- Universal connection
- Proven COMBICON technology
- Can be keyed to prevent incorrect connection



Key Commercial Data

| | |
|--------------------------------------|----------|
| Packing unit | 1 pc |
| Minimum order quantity | 5 pc |
| Weight per Piece (excluding packing) | 48.86 g |
| Custom tariff number | 85366990 |
| Country of origin | Poland |

Technical data

General

| | |
|-----------------------------|---|
| Note | Connectors may only be connected/disconnected when under no load. |
| Connection method | Screw connection |
| | Screw connection |
| Tightening torque | 0.22 Nm ... 0.25 Nm |
| Pollution degree | 3 |
| Overvoltage category | III |
| Number of positions | 17+PE |
| Insertion/withdrawal cycles | ≥ 100 |

Contact insert set - VC-AR2/3M-S666-SET - 1607359

Technical data

General

| | |
|---|--|
| Type | VC2 |
| Conductor cross section solid min. | 0.14 mm ² |
| Conductor cross section solid max. | 1.5 mm ² |
| Conductor cross section flexible min. | 0.14 mm ² |
| Conductor cross section flexible max. | 0.75 mm ² |
| Conductor cross section | 0.14 mm ² ... 1.5 mm ² |
| Connection cross section AWG | 30 ... 14 |
| Stripping length of the individual wire | 7 mm |

Ambient conditions

| | |
|---------------------------------|-------------------|
| Ambient temperature (operation) | -40 °C ... 100 °C |
|---------------------------------|-------------------|

Material data

| | |
|--|------------|
| Flammability rating according to UL 94 | V0 |
| Contact material | CuZn |
| Contact surface material | Tin-plated |
| Contact carrier material | PA |

Electrical characteristics

| | |
|--------------------------------|-------|
| Rated voltage (III/3) | 250 V |
| Nominal voltage U _N | 250 V |
| Rated surge voltage | 4 kV |
| | 4 kV |
| Rated current | 10 A |
| | 10 A |
| Nominal current I _N | 10 A |

Standards and Regulations

| | |
|--|----|
| Flammability rating according to UL 94 | V0 |
|--|----|

Classifications

eCl@ss

| | |
|------------|----------|
| eCl@ss 4.0 | 27140816 |
| eCl@ss 4.1 | 27140816 |
| eCl@ss 5.0 | 27260701 |
| eCl@ss 5.1 | 27260701 |
| eCl@ss 6.0 | 27260705 |
| eCl@ss 7.0 | 27440309 |

Contact insert set - VC-AR2/3M-S666-SET - 1607359

Classifications

eCl@ss

| | |
|------------|----------|
| eCl@ss 8.0 | 27440205 |
| eCl@ss 9.0 | 27440205 |

ETIM

| | |
|----------|----------|
| ETIM 2.0 | EC001121 |
| ETIM 3.0 | EC001121 |
| ETIM 4.0 | EC001121 |
| ETIM 5.0 | EC000438 |

UNSPSC

| | |
|---------------|----------|
| UNSPSC 6.01 | 30211923 |
| UNSPSC 7.0901 | 39121522 |
| UNSPSC 11 | 39121522 |
| UNSPSC 12.01 | 39121522 |
| UNSPSC 13.2 | 39121522 |

Approvals

Approvals

Approvals

EAC

Ex Approvals

Approvals submitted

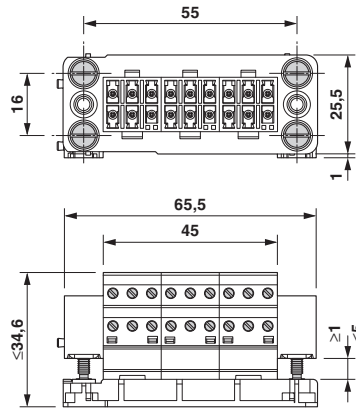
Approval details

| |
|-----|
| EAC |
|-----|

Drawings

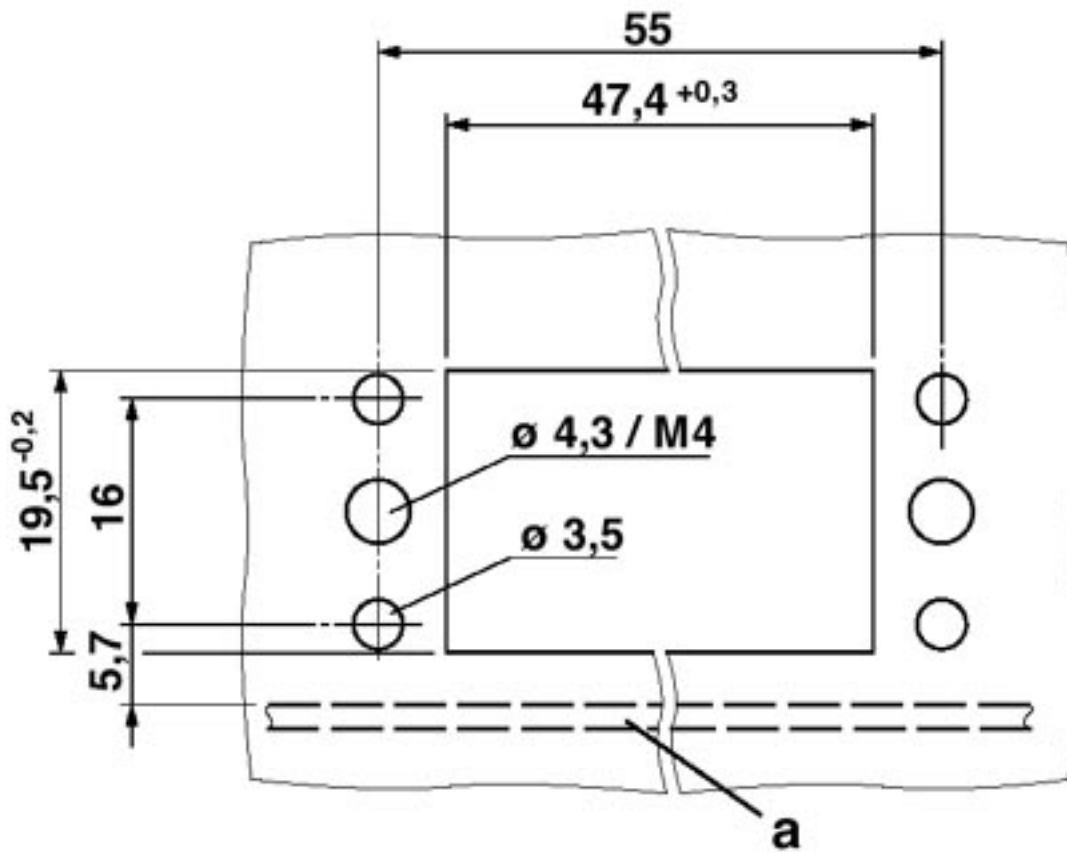
Contact insert set - VC-AR2/3M-S666-SET - 1607359

Dimensional drawing



Contact insert

Dimensional drawing



Panel cutout

