



Chipsmall Limited consists of a professional team with an average of over 10 year of expertise in the distribution of electronic components. Based in Hongkong, we have already established firm and mutual-benefit business relationships with customers from,Europe,America and south Asia,supplying obsolete and hard-to-find components to meet their specific needs.

With the principle of “Quality Parts,Customers Priority,Honest Operation,and Considerate Service”,our business mainly focus on the distribution of electronic components. Line cards we deal with include Microchip,ALPS,ROHM,Xilinx,Pulse,ON,Everlight and Freescale. Main products comprise IC,Modules,Potentiometer,IC Socket,Relay,Connector.Our parts cover such applications as commercial,industrial, and automotives areas.

We are looking forward to setting up business relationship with you and hope to provide you with the best service and solution. Let us make a better world for our industry!



## Contact us

Tel: +86-755-8981 8866 Fax: +86-755-8427 6832

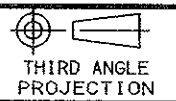
Email & Skype: info@chipsmall.com Web: www.chipsmall.com

Address: A1208, Overseas Decoration Building, #122 Zhenhua RD., Futian, Shenzhen, China



SCALA NON IMPEGNATIVA  
(DO NOT SCALE)  
DIMENSIONI IN mm  
(DIMENSIONS IN)

**METRIC**



A

B

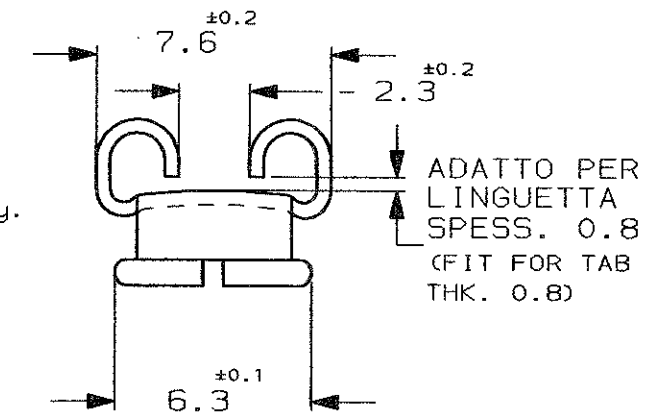
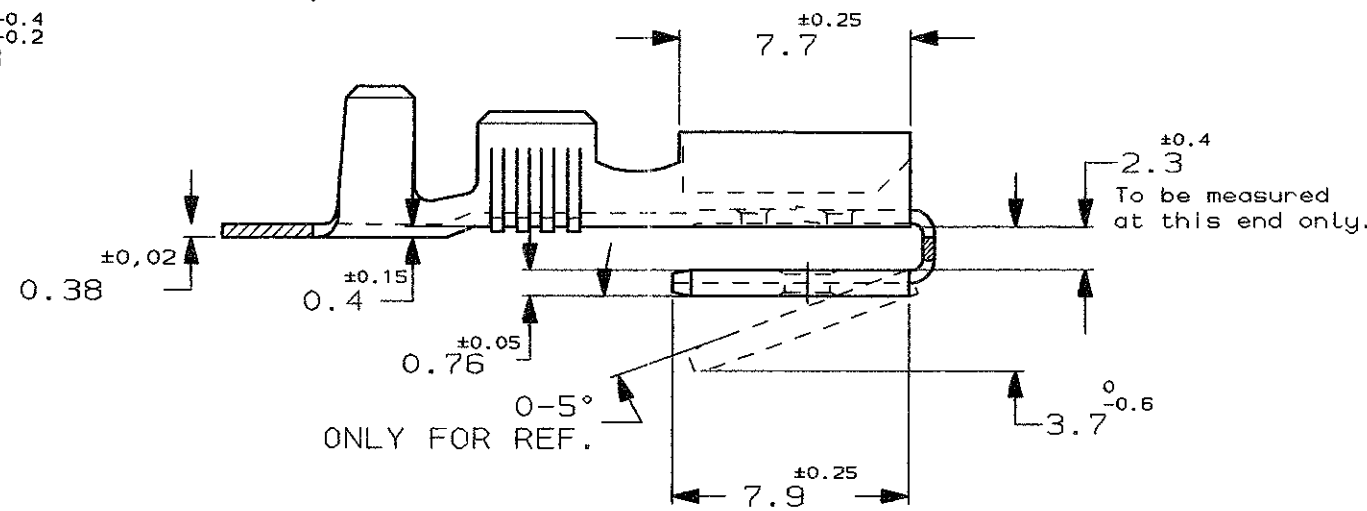
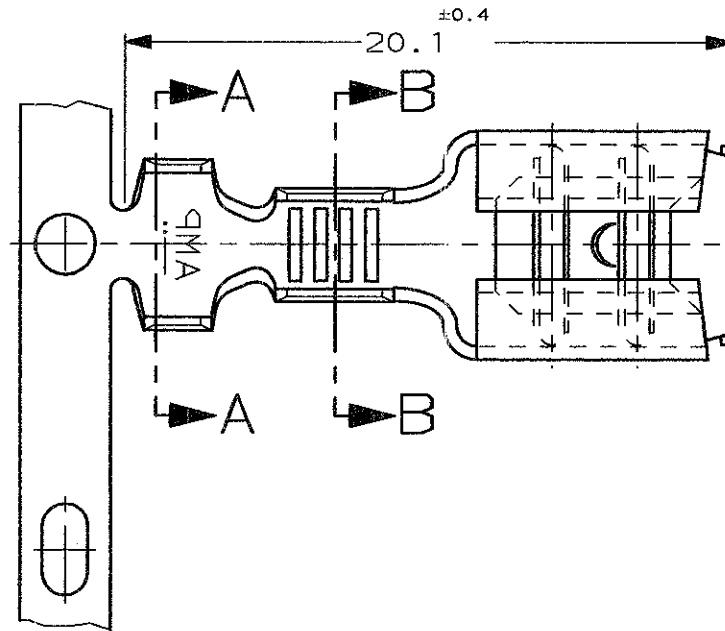
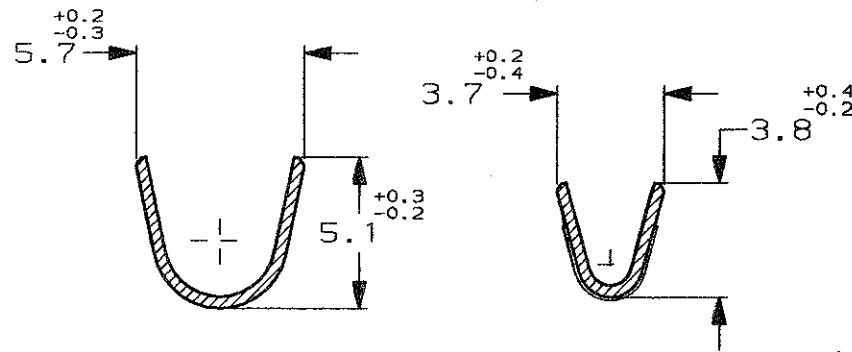
C

D

E

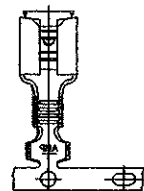
**SEZIONE A-A**  
(SECTION A-A)

**SEZIONE B-B**  
(SECTION B-B)



1) NON DISPONIBILE DA AMP ITALIA  
(NOT AVAILABLE FROM AMP ITALY)

2) STATO DI FORNITURA  
(SUPPLY CONDITION)



SENSO DI USCITA DEL TERMINALE  
DALLA BOBINA  
(DIRECTION OFF  
TOP OF REEL)

3) SPECIFICA DI PRODOTTO 108-20019  
(PRODUCT SPEC. 108-20019)

1	PRE STAGNATO (PRE TINNED)	OTTONE (BRASS)	0-160739-9
	PRE NICKELATO (PRE NICKEL PL.)	ACCIAIO (STEEL)	0-160739-6
	STAGNATO (TIN PLATED)	BRONZO FOSF. (PHOS. BRONZE)	0-160739-4
	STAGNATO (TIN PLATED)	OTTONE (BRASS)	0-160739-2
	NUDO (UNPLATED)	OTTONE (BRASS)	0-160739-1
NOTE	FINITURA / COLORE (FINISH / COLOUR)	MATERIALE (MATERIAL)	NUMERO TE CONNECTIVITY P/N

CUSTOMER DWG. FOR REFERENCE ONLY      DISEGNO PER CLIENTE SOLO PER RIFERIMENTO

THIS DRAWING IS UNPUBLISHED      RELEASE FOR PUBLICATION      19

TOLLERANZE, SE NON DIVERSAMENTE SPECIFICATO (TOLERANCES, UNLESS OTHERWISE SPECIFIED)	DIAM. ISOLANTE (INS. DIA. RANGE) mm	RANGO FILO (WIRE RANGE) mm2	SCALA (SCALE)
± 0.3	3.0-4.3	0.8-2.1	4:1

ANGOLI (ANGLES) ± 2°

**STE** TE Connectivity

DIS. H. YAALI (DR.) 05 MAY 2000      DESCRIZIONE (DESCRIPTION) FASTON\* Connector, .250" sr. PIGGY-BACK REC. CTC.

CONT. C. TARTARI (CHK) 05 MAY 2000

AC2	REVISED PER ECO-11-005294	RK	11 APR 11	APP. (APP.)	LOC. SIZE NUMERO (DWG NO)	REV.	FOGLIO (SHEET)
REV. (REV.)	REVISIONI (REVISION RECORD)	DIS. (DR.)	DATA (DATE)		I A3 C-160739	AC2	1 DI (OF) 1

DISTRIBUZIONE (PRINT DIST.)