



Chipsmall Limited consists of a professional team with an average of over 10 year of expertise in the distribution of electronic components. Based in Hongkong, we have already established firm and mutual-benefit business relationships with customers from,Europe,America and south Asia,supplying obsolete and hard-to-find components to meet their specific needs.

With the principle of “Quality Parts,Customers Priority,Honest Operation,and Considerate Service”,our business mainly focus on the distribution of electronic components. Line cards we deal with include Microchip,ALPS,ROHM,Xilinx,Pulse,ON,Everlight and Freescale. Main products comprise IC,Modules,Potentiometer,IC Socket,Relay,Connector.Our parts cover such applications as commercial,industrial, and automotives areas.

We are looking forward to setting up business relationship with you and hope to provide you with the best service and solution. Let us make a better world for our industry!



Contact us

Tel: +86-755-8981 8866 Fax: +86-755-8427 6832

Email & Skype: info@chipsmall.com Web: www.chipsmall.com

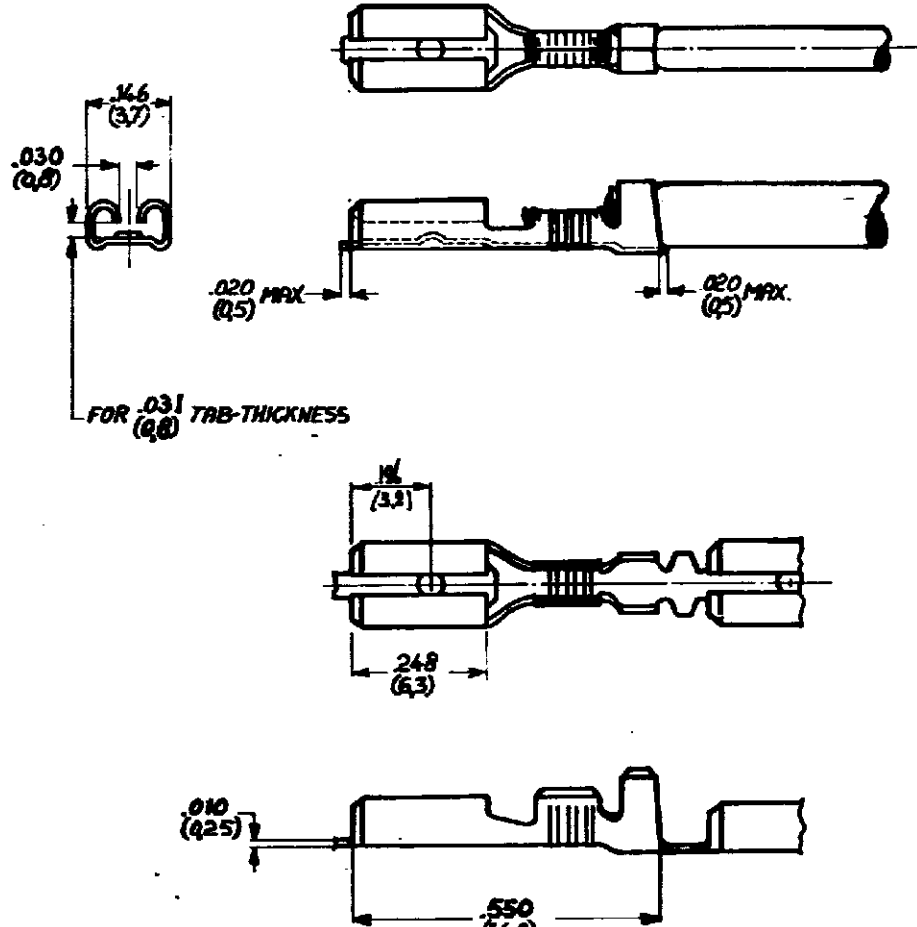
Address: A1208, Overseas Decoration Building, #122 Zhenhua RD., Futian, Shenzhen, China



NUMBER C-160.772

DRAWING MADE IN AMERICAN PROJECTION

REV.	DESCRIPTION	DATE	DRAWN	APVD
B2	REVISED PER ECO-11-005140	31MAR11	RK	HMR



1 FOR USE ON MINIATURE AND STANDARD APPLICATORS

2 FOR USE ON MINIATURE APPLICATORS (AMP-B-MATOR APPLICATION)

3 REELED WITH PAPER LAYER.

4 OBSOLETE PARTS: OBSOLETE CIS STREAMLINING PER D.RENAUD/D.SINISI

DIMENSIONS IN (IN) DO NOT SCALE PRINT

ORDER NO.	MATERIAL	PLATING
4-160772-4	BRASS	TIN
160772-3	BRASS	TIN
4-160772-2	BRASS	TIN
160772-1	BRASS	TIN

CUSTOMER COPY FOR REFERENCE ONLY

TE Connectivity

WIRE RANGE 26-22 AWG 0.18-0.25mm	INSUL. RANGE 0.50-0.80 DIA. (16-20)	FIRST USED
SCALE 4 ≈ 1	LOC H	SIZE A
NO C-160,772		REV B2
NAME 110 Ser FASTON RECEPTACLE		

DR **A. BYNEN** 14/9-77 DATE
 OF **2/2/80** 24/1/80 DATE
 CHK DATE
 23-11-77