



Chipsmall Limited consists of a professional team with an average of over 10 year of expertise in the distribution of electronic components. Based in Hongkong, we have already established firm and mutual-benefit business relationships with customers from,Europe,America and south Asia,supplying obsolete and hard-to-find components to meet their specific needs.

With the principle of “Quality Parts,Customers Priority,Honest Operation,and Considerate Service”,our business mainly focus on the distribution of electronic components. Line cards we deal with include Microchip,ALPS,ROHM,Xilinx,Pulse,ON,Everlight and Freescale. Main products comprise IC,Modules,Potentiometer,IC Socket,Relay,Connector.Our parts cover such applications as commercial,industrial, and automotives areas.

We are looking forward to setting up business relationship with you and hope to provide you with the best service and solution. Let us make a better world for our industry!



Contact us

Tel: +86-755-8981 8866 Fax: +86-755-8427 6832

Email & Skype: info@chipsmall.com Web: www.chipsmall.com

Address: A1208, Overseas Decoration Building, #122 Zhenhua RD., Futian, Shenzhen, China

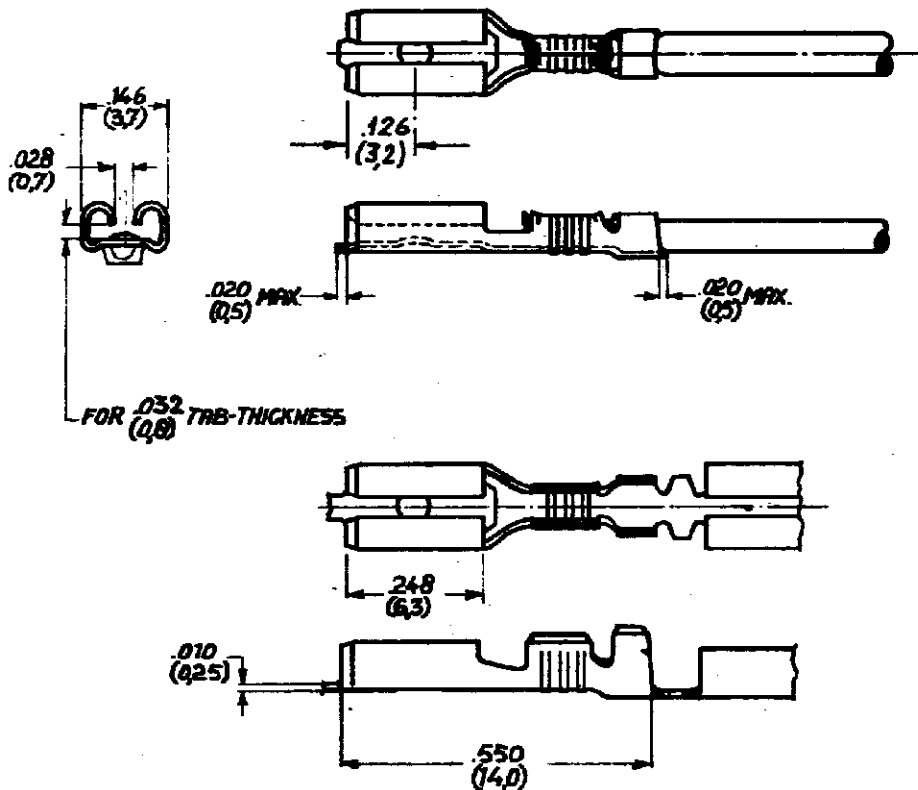


C-160780

DRAWING MADE IN AMERICAN PROJECTION

REVISIONS

LTR	DESCRIPTION	DATE	DWN	APVD
C1	REVISED PER ECO-09-022178	25SEP09	KK	AEQ



- 1 FOR AMP-O-MATOR APPLICATION.
- 2 REELED WITH PAPERCOVER.
- 3 REELED WITH PAPER LAYER.
- 4 OBSOLETE PARTS: OBSOLETE CIS
STREAMLINING PER D.RENAUD/D.SINISI

DIMENSIONS IN (IN) DO NOT SCALE PRINT

160780-6	BRASS	→	△△△
160780-5	PHOSPHOR BR	TIN	△△△
160780-4	BRASS	TIN	△△△
160780-3	△ BRASS	→	△
160780-2	PHOSPHOR BR	TIN	△
160780-1	PHOSPHOR BR	→	△

ORDER NO.	MATERIAL	PLATING
DATE 23.4.82	DATE	DATE
DR A.W.M.B.	DATE 27.4.82	APP AEG
DATE 25/09/09		

CUSTOMER COPY FOR REFERENCE ONLY



AMP-HOLLAND N.V.
'HERTOEGHOSCH
HOLLAND

WIRE RANGE	PIECE RANGE	FIRST USED
22-26	22-26	
SCALE 4 ≈ 1	LOC H	SIZE A
NO C-160780		REV C1

NAME 110 Ser. FASTON RECEPT