



Chipsmall Limited consists of a professional team with an average of over 10 year of expertise in the distribution of electronic components. Based in Hongkong, we have already established firm and mutual-benefit business relationships with customers from,Europe,America and south Asia,supplying obsolete and hard-to-find components to meet their specific needs.

With the principle of "Quality Parts,Customers Priority,Honest Operation,and Considerate Service",our business mainly focus on the distribution of electronic components. Line cards we deal with include Microchip,ALPS,ROHM,Xilinx,Pulse,ON,Everlight and Freescale. Main products comprise IC,Modules,Potentiometer,IC Socket,Relay,Connector.Our parts cover such applications as commercial,industrial, and automotives areas.

We are looking forward to setting up business relationship with you and hope to provide you with the best service and solution. Let us make a better world for our industry!



Contact us

Tel: +86-755-8981 8866 Fax: +86-755-8427 6832

Email & Skype: info@chipsmall.com Web: www.chipsmall.com

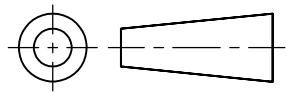
Address: A1208, Overseas Decoration Building, #122 Zhenhua RD., Futian, Shenzhen, China



DO NOT SCALE
DIMENSIONS IN mm

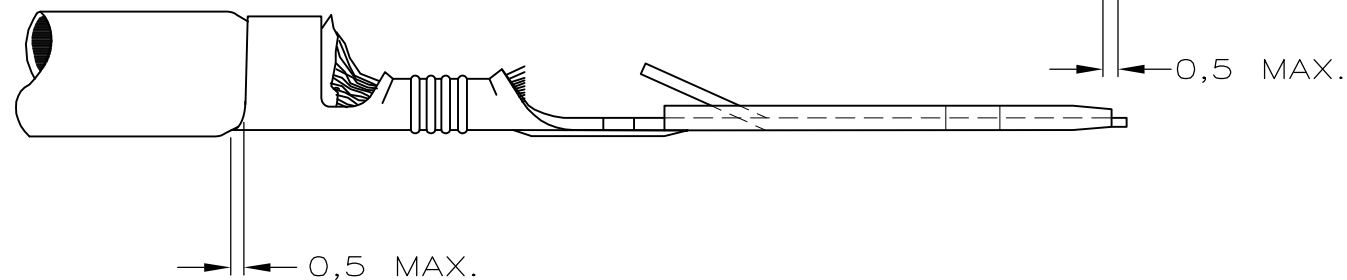
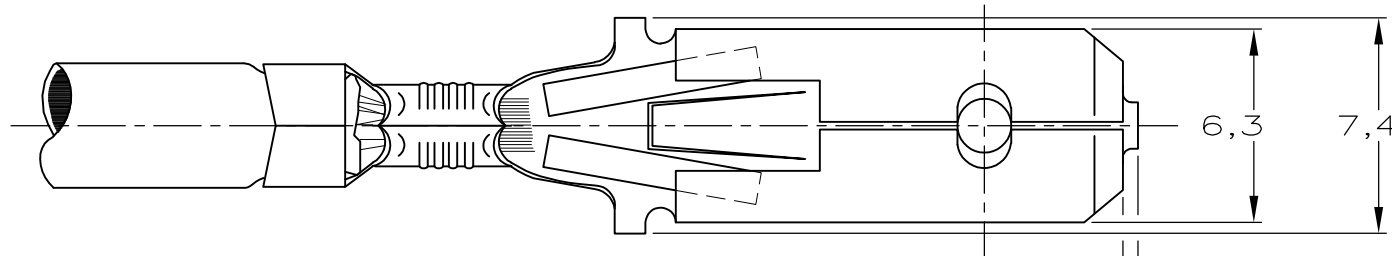
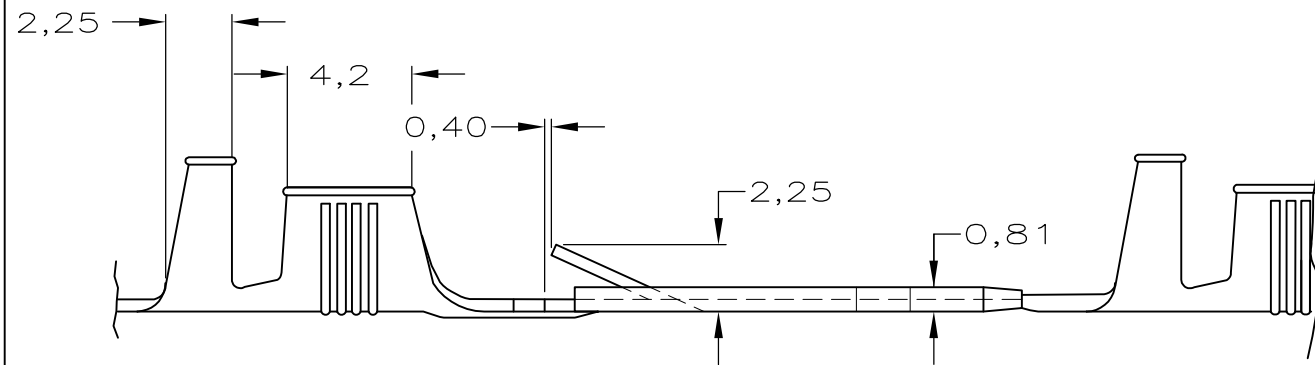
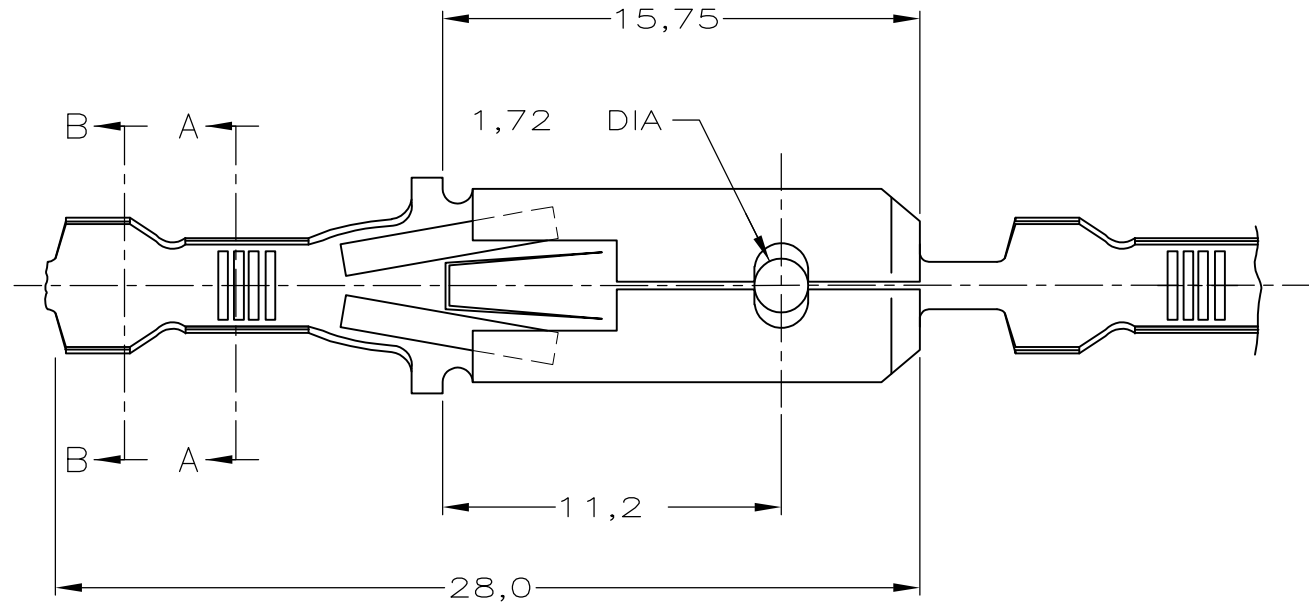
METRIC

THIRD ANGLE
PROJECTION

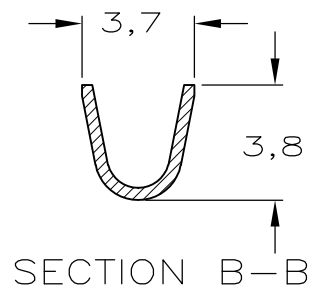
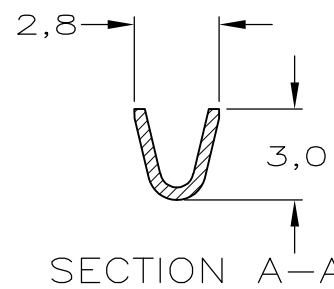
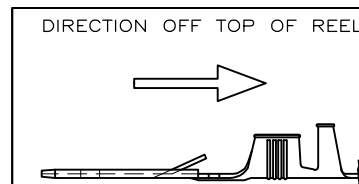


NOTES:

- △1 FOR USE ON MINIATURE APPLICATORS (LEFT-RIGHT FEED)
- △2 OBSOLETE PARTS: OBSOLETE CIS STREAMLINING PER D.RENAUD/D.SINISI



WIRE RANGE :
2,1-3,3 mm²
INSULATION RANGE :
3,0-4,3mm DIA.



PLATING	PLATING	MATERIAL	PARTNUMBER
△1	TINPLATED	BRASS	160786-5
△1	-	BRASS	160786-4
△1	SILVERPLATED	Ph BRONZE	160786-3
△1	TINPLATED	Ph BRONZE	160786-2
△1	-	Ph BRONZE	160786-1

DR.	CHK.	APP.	DATE	DWG.No.	REV.	LTR.	SHEET
J.v.LIEMPT.	A.BIJNEN.	M.v.DRIEL	16 OCT 1995	160786	C1	1 OF 1	A3

CUSTOMER DRAWING FOR REFERENCE ONLY
WILL NOT BE UPDATED
© COPYRIGHT 19 - BY AMP HOLLAND B.V.
ALL INTERNATIONAL RIGHTS RESERVED. AMP PRODUCTS MAY BE
COVERED BY U.S. AND FOREIGN AND/OR PATENTS PENDING.
THIS DRAWING IS UNPUBLISHED
RELEASED FOR PUBLICATION ,19

AMP | AMP HOLLAND B.V.
's-Hertogenbosch,
The Netherlands.

NAME
.250 SRS FASTIN-FASTON TAB