



Chipsmall Limited consists of a professional team with an average of over 10 year of expertise in the distribution of electronic components. Based in Hongkong, we have already established firm and mutual-benefit business relationships with customers from,Europe,America and south Asia,supplying obsolete and hard-to-find components to meet their specific needs.

With the principle of “Quality Parts,Customers Priority,Honest Operation,and Considerate Service”,our business mainly focus on the distribution of electronic components. Line cards we deal with include Microchip,ALPS,ROHM,Xilinx,Pulse,ON,Everlight and Freescale. Main products comprise IC,Modules,Potentiometer,IC Socket,Relay,Connector.Our parts cover such applications as commercial,industrial, and automotives areas.

We are looking forward to setting up business relationship with you and hope to provide you with the best service and solution. Let us make a better world for our industry!



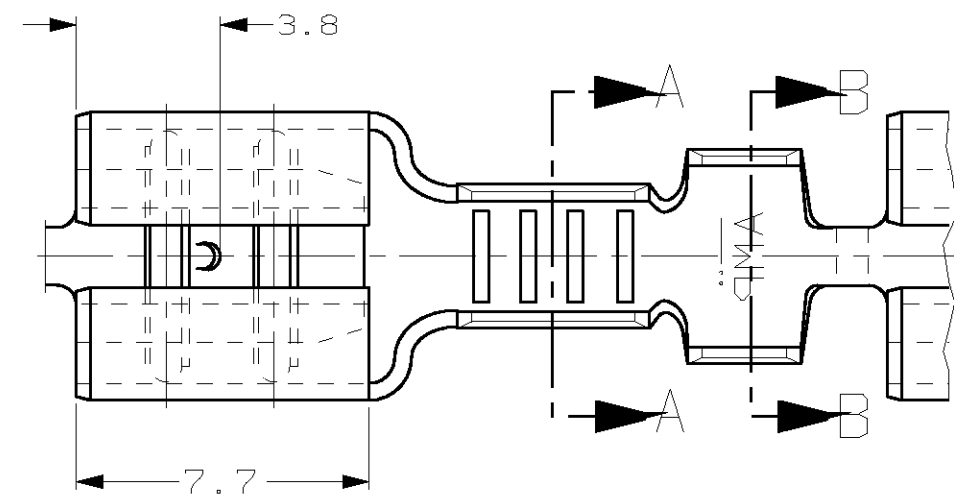
Contact us

Tel: +86-755-8981 8866 Fax: +86-755-8427 6832

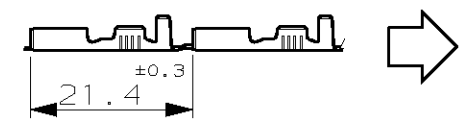
Email & Skype: info@chipsmall.com Web: www.chipsmall.com

Address: A1208, Overseas Decoration Building, #122 Zhenhua RD., Futian, Shenzhen, China





1) STATO DI FORNITURA - SCALA 1:1
 (SUPPLY CONDITION - SCALE 1:1)

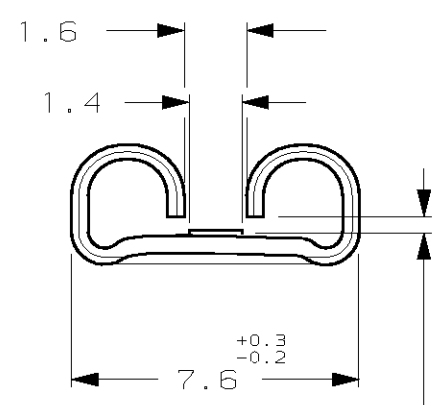


SENSO DI USCITA DEL TERMINALE DALLA BOBINA
 (DIRECTION OFF TOP OF REEL)

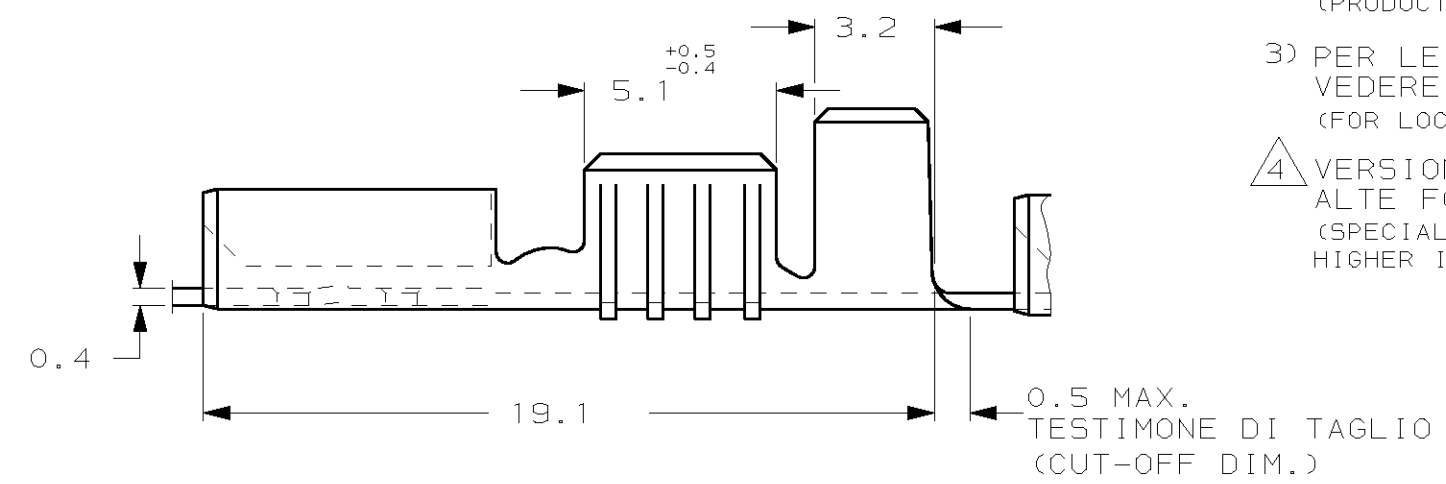
2) SPECIFICA DI PRODOTTO 108-20019
 (PRODUCT SPEC. 108-20019)

3) PER LE VERSIONI IN PEZZI SCIOLTI VEDERE DISEGNO 160814
 (FOR LOOSE PIECE VERSION SEE DRAWING 160814).

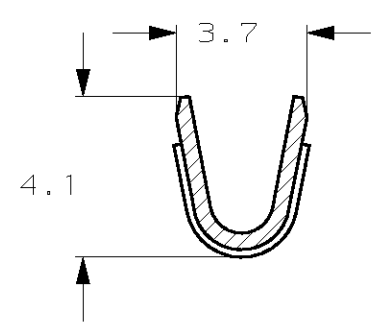
4) VERSIONE SPECIALE ADATTA PER ALTE FORZE DI INSERZIONE E DISINSERZIONE.
 (SPECIAL VERSION SUITABLE FOR HIGHER INSERTION AND EXTRACTION FORCE APPLICATION).



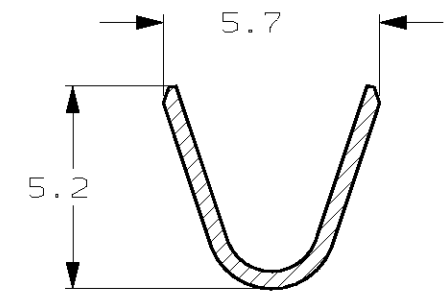
for 0.8 mm tab thickness.



SEZIONE A-A
 (SECTION A-A)



SEZIONE B-B
 (SECTION B-B)



4	NUDO (UNPLATED)	LEGA DI RAME CuNi12Zn24	0-160808-2	A
2	NUDO (UNPLATED)	LEGA DI RAME CuNi12Zn24	0-160808-1	A
NOTE	FINITURA / COLORE (FINISH / COLOUR)	MATERIALE (MATERIAL)	NUMERO (AMP P/N)	REV
CUSTOMER DWG. FOR REFERENCE ONLY			DISEGNO PER CLIENTE SOLO PER RIFERIMENTO	
THIS DRAWING IS UNPUBLISHED			RELEASE FOR PUBLICATION 19	
© COPYRIGHT 19 BY AMP INCORPORATED, HARRISBURG, PA. ALL INTERNATIONAL RIGHT RESERVED. AMP PRODUCTS MAY BE COVERED BY U.S. AND FOREIGN PATENT AND/OR PATENT PENDING				
TOLLERANZE: SE NON DIVERSAMENTE SPECIFICATO (TOLERANCES: UNLESS OTHERWISE SPECIFIED)		DIAM. ISOLANTE (INS. DIA. RANGE)	RANGO FILO (WIRE RANGE)	SCALA (SCALE)
± 0.3		3.0-4.3mm DIA.	1.0-2.5 mm2	5:1
ANGOLI (ANGLES)		AMP ITALIA S.p.A. Corso F.lli Cervi, 15 COLLEGNO (TORINO)		
DIS. (DR.)		DESCRIZIONE (DESCRIPTION) FASTON® Connector, .250" sr. REC. CONTACT.		
H. YAALI (DR.) 28 JUL 2000		CONT. C. TARTARI (CHK) 28 JUL 2000		
REV. (REV.)	REVISIONI (REVISION RECORD)	DIS. (DR.)	DATA (DATE)	APP. (APP.)
B2	ADDED NOTE (4) ETOO-0233-03 REVISED & REDRAWN ETOO-0277-00	H.Y.	12 JAN 2004	CONT. C. TARTARI (CHK) 28 JUL 2000
B1	REVISIONI (REVISION RECORD)	H.Y.	27 OCT 2000	APP. (APP.)
REV. (REV.)		LOC. (LOC.)		FOGLIO (SHEET)
I A3		C-160808		B2 1 DI (OF) 1

DISTRIBUZIONE (PRINT DIST.)