



Chipsmall Limited consists of a professional team with an average of over 10 year of expertise in the distribution of electronic components. Based in Hongkong, we have already established firm and mutual-benefit business relationships with customers from,Europe,America and south Asia,supplying obsolete and hard-to-find components to meet their specific needs.

With the principle of “Quality Parts,Customers Priority,Honest Operation,and Considerate Service”,our business mainly focus on the distribution of electronic components. Line cards we deal with include Microchip,ALPS,ROHM,Xilinx,Pulse,ON,Everlight and Freescale. Main products comprise IC,Modules,Potentiometer,IC Socket,Relay,Connector.Our parts cover such applications as commercial,industrial, and automotives areas.

We are looking forward to setting up business relationship with you and hope to provide you with the best service and solution. Let us make a better world for our industry!



Contact us

Tel: +86-755-8981 8866 Fax: +86-755-8427 6832

Email & Skype: info@chipsmall.com Web: www.chipsmall.com

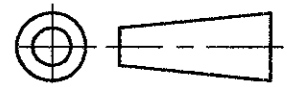
Address: A1208, Overseas Decoration Building, #122 Zhenhua RD., Futian, Shenzhen, China



DO NOT SCALE
DIMENSIONS IN mm

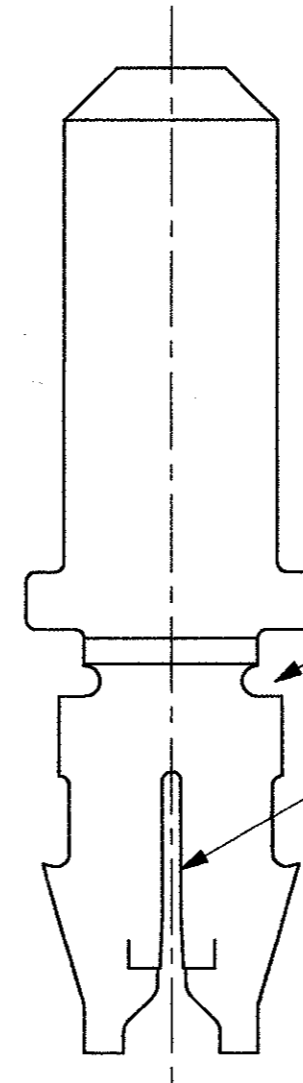
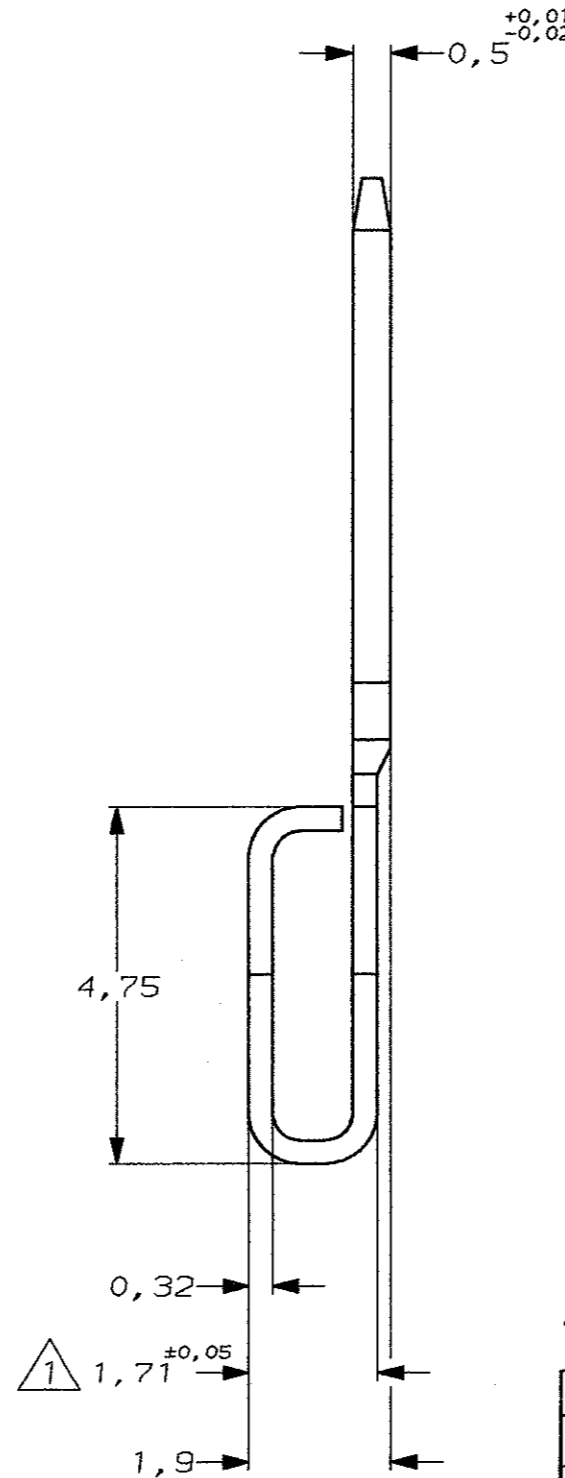
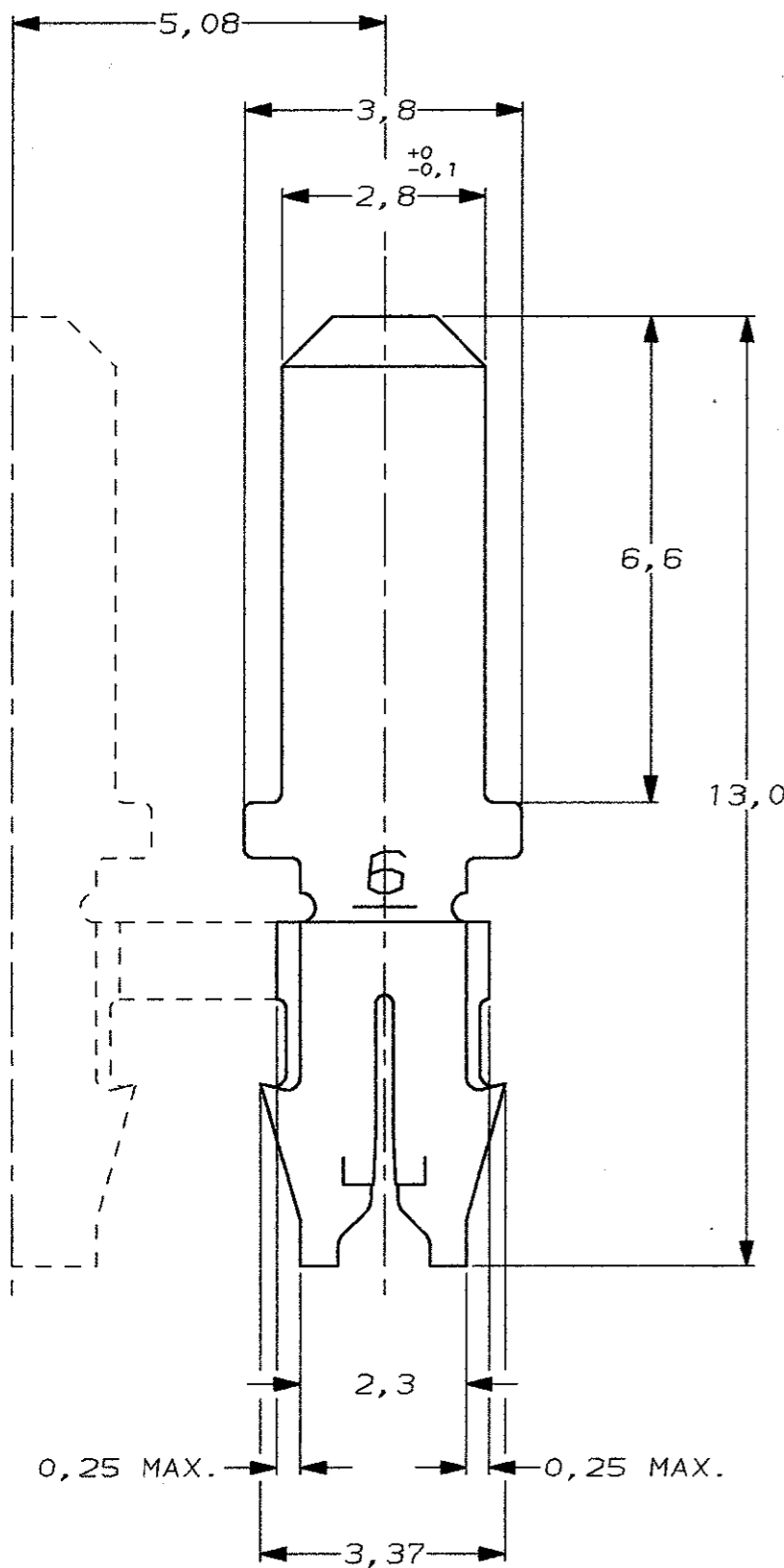
METRIC

THIRD ANGLE
PROJECTION



NOTES:

- 1 DIMENSION MUST BE CHECKED WITH TOP OF BOX TOUCHING CARRIERSIDE OF BOX.
- 2 OBSOLETE PARTS: OBSOLETE CIS STREAMLINING PER D.RENAUD/D.SINISI



OPTIONAL

SLOT ACCEPTS 30-28 AWG COPPER MAGNET WIRE EITHER SINGLE OR DOUBLE OF THE SAME SIZE.

WIRE RANGE :
30-28 AWG
INSULATION RANGE :
- DIA.

OBSOLETE		TINPLATED	L.P OF 160810-2	160810-4	
		TINPLATED	BRASS	160810-2	
		FINISH	MATERIAL	PARTNUMBER	
-	-	-	-	-	
-	-	-	-	-	
-	-	-	-	-	
-	-	-	-	-	
B1	ECO-09-022178	KK	25/09/09		
B	EH-00-1581-99	MD	MD 08 OCT 99		
A	EH-0945-97	D.K.	M.v. 18 SEP 97		
LTR.	REVISION RECORD	DR.	CHK.	DATE	
DR.:	D. KESSLER	CHK.:	M. v. DRIEL	APP.:	M. v. DRIEL
DATE:	18 SEP 97	DATE:	19/09/09	DATE:	19/09/09
CUSTOMER DRAWING				FOR REFERENCE ONLY WILL NOT BE UPDATED	
© COPYRIGHT 19- BY AMP HOLLAND B.V.					
ALL INTERNATIONAL RIGHTS RESERVED. AMP PRODUCTS MAY BE COVERED BY U.S. AND FOREIGN AND/OR PATENTS PENDING.					
THIS DRAWING IS UNPUBLISHED					
RELEASED FOR PUBLICATION					
AMP				AMP HOLLAND B.V. s-Hertogenbosch, The Netherlands.	
MAG-MATE 4,75 WITH TAB 2,8					
DRG. No.	C-160810	REV. LTR.	B1	SHEET 1 OF 1	