



Chipsmall Limited consists of a professional team with an average of over 10 year of expertise in the distribution of electronic components. Based in Hongkong, we have already established firm and mutual-benefit business relationships with customers from,Europe,America and south Asia,supplying obsolete and hard-to-find components to meet their specific needs.

With the principle of “Quality Parts,Customers Priority,Honest Operation,and Considerate Service”,our business mainly focus on the distribution of electronic components. Line cards we deal with include Microchip,ALPS,ROHM,Xilinx,Pulse,ON,Everlight and Freescale. Main products comprise IC,Modules,Potentiometer,IC Socket,Relay,Connector.Our parts cover such applications as commercial,industrial, and automotives areas.

We are looking forward to setting up business relationship with you and hope to provide you with the best service and solution. Let us make a better world for our industry!



## Contact us

Tel: +86-755-8981 8866 Fax: +86-755-8427 6832

Email & Skype: info@chipsmall.com Web: www.chipsmall.com


Address: A1208, Overseas Decoration Building, #122 Zhenhua RD., Futian, Shenzhen, China



**VS-PPC-C1-PC67-POBK**

Order No.: 1608155

<http://eshop.phoenixcontact.de/phoenix/treeViewClick.do?UID=1608155>Protective cover, IP67, to cover the contact insert in the RJ45 and  
SCRJ push-pull panel mounting frames**PROFI  
NETZ****Commercial data**

GTIN (EAN)	 4 046356 159999
sales group	D512
Pack	1 pcs.
Customs tariff	39269097
Catalog page information	Page 195 (PC-2009)

**Product notes**WEEE/RoHS-compliant since:  
01/01/2008

<http://www.download.phoenixcontact.com>  
Please note that the data given here has been taken from the online catalog. For comprehensive information and data, please refer to the user documentation. The General Terms and Conditions of Use apply to Internet downloads.

**Technical data****Mechanical characteristics**

Insertion/withdrawal cycles	≥ 500
Color	black
Ambient temperature (operation)	-40 °C ... 70 °C

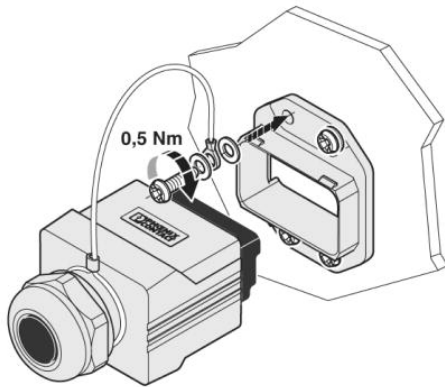
**Material data**

Inflammability class acc. to UL 94	V0
Housing material	PA-GF
Material	Plastic
Material, O-ring	NBR
Material, housing intermediate seal	NBR
Degree of protection	IP65/67

**Diagrams/Drawings**

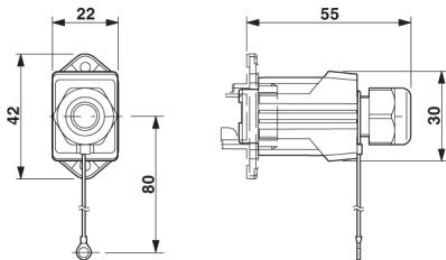
Explosion drawing

Mounting the protective cover



Dimensioned drawing

Protective cover for the Push-Pull panel mounting frame



**Address**

PHOENIX CONTACT Deutschland GmbH  
Flachmarktstr. 8  
32825 Blomberg, Germany  
Phone +49 5235 3 12000  
Fax +49 5235 3 41200  
<http://www.phoenixcontact.de>



© 2011 Phoenix Contact  
Technical modifications reserved;