



Chipsmall Limited consists of a professional team with an average of over 10 year of expertise in the distribution of electronic components. Based in Hongkong, we have already established firm and mutual-benefit business relationships with customers from,Europe,America and south Asia,supplying obsolete and hard-to-find components to meet their specific needs.

With the principle of "Quality Parts,Customers Priority,Honest Operation,and Considerate Service",our business mainly focus on the distribution of electronic components. Line cards we deal with include Microchip,ALPS,ROHM,Xilinx,Pulse,ON,Everlight and Freescale. Main products comprise IC,Modules,Potentiometer,IC Socket,Relay,Connector.Our parts cover such applications as commercial,industrial, and automotives areas.

We are looking forward to setting up business relationship with you and hope to provide you with the best service and solution. Let us make a better world for our industry!



Contact us

Tel: +86-755-8981 8866 Fax: +86-755-8427 6832

Email & Skype: info@chipsmall.com Web: www.chipsmall.com

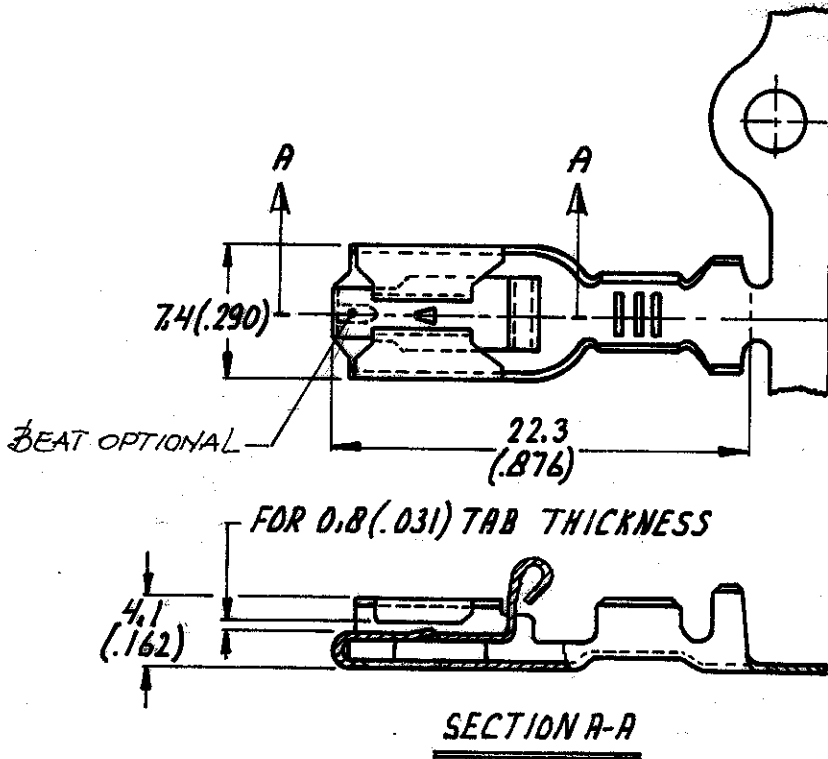
Address: A1208, Overseas Decoration Building, #122 Zhenhua RD., Futian, Shenzhen, China



DRAWING MADE IN AMERICAN PROJECTION

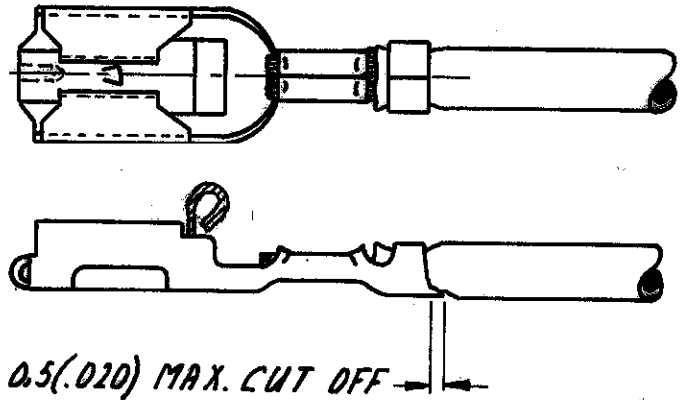
REVISIONS				
LTR	DESCRIPTION	DATE	DWN	APVD
E1	REVISED PER ECO-09-022178	25SEP09	KK	AEQ

NUMBER C-160826



NOTES:

- 1 FOR USE ON MINIATURE APPLICATOR (LEFT-RIGHT FEED).
- 2 FOR USE ON MINIATURE APPLICATOR (LEFT-RIGHT FEED) AMPOMATOR APPLICATION
- 3 GENERAL TOLERANCE $\pm 0,3$ (.012)
- 4 OBSOLETE PARTS: OBSOLETE CIS STREAMLINING PER D.RENAUD/D.SINISI



DIMENSIONS IN M.M. DO NOT SCALE PRINT

6-160826-8	PH. BRONZE	PZE-TIN PLATED
6-160826-7	BRASS	PZE-TIN PLATED
160826-4	PH. BRONZE	TIN PLATED
160826-3	BRASS	TIN PLATED
160826-2	PH. BRONZE	—
160826-1	BRASS	—

CUSTOMER COPY FOR REFERENCE ONLY

©1981 BY AMP-HOLLAND N.V. ALL RIGHTS RESERVED A-MP PRODUCTS COVERED BY PATENTS AND/OR PATENTS PENDING.



AMP-ESPANOLA
BARCELONA

ORDER NO.	MATERIAL	PLATING
DR R.V.H. 22.4.81	DATE DE	DATE
CHK [Signature]	DATE APP [Signature]	DATE

WIRE RANGE 22-18 AWG 0.30-0.81 mm	INSUL. RANGE .045-1.00 DIA. 1.1-2.5 mm DIA.	FIRST USED
SCALE N.D.S.	SIZE A	NO C-160826
NAME POSITIVE LOCK RECEPTACLE		REV E1