



Chipsmall Limited consists of a professional team with an average of over 10 year of expertise in the distribution of electronic components. Based in Hongkong, we have already established firm and mutual-benefit business relationships with customers from,Europe,America and south Asia,supplying obsolete and hard-to-find components to meet their specific needs.

With the principle of “Quality Parts,Customers Priority,Honest Operation,and Considerate Service”,our business mainly focus on the distribution of electronic components. Line cards we deal with include Microchip,ALPS,ROHM,Xilinx,Pulse,ON,Everlight and Freescale. Main products comprise IC,Modules,Potentiometer,IC Socket,Relay,Connector.Our parts cover such applications as commercial,industrial, and automotives areas.

We are looking forward to setting up business relationship with you and hope to provide you with the best service and solution. Let us make a better world for our industry!



Contact us

Tel: +86-755-8981 8866 Fax: +86-755-8427 6832

Email & Skype: info@chipsmall.com Web: www.chipsmall.com

Address: A1208, Overseas Decoration Building, #122 Zhenhua RD., Futian, Shenzhen, China

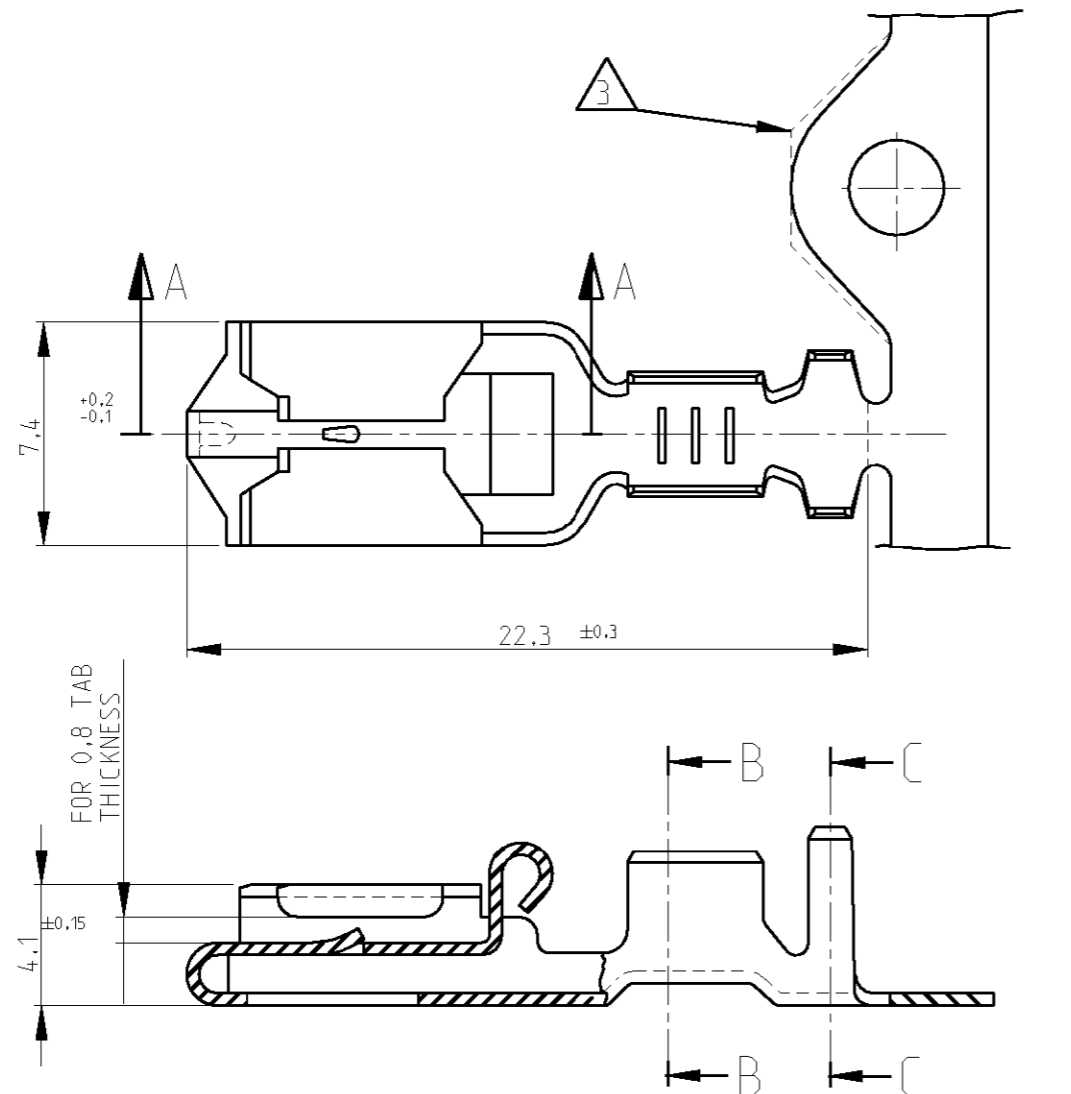
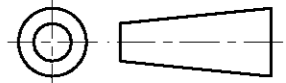


DO NOT SCALE

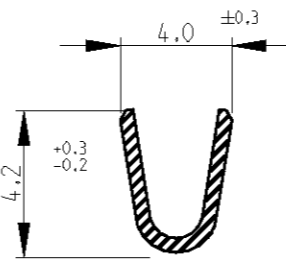
DIMENSIONS IN mm

METRIC

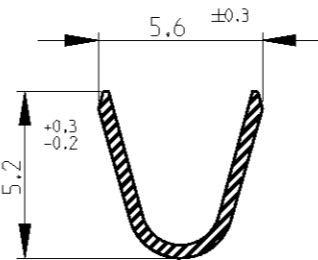
THIRD ANGLE
PROJECTION



SECTION A-A



SECTION B-B

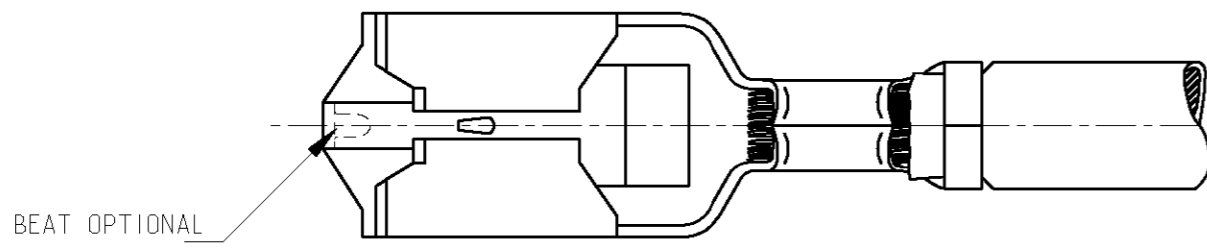


SECTION C-C

NOTES:

- 1 FOR USE ON MINIATURE APPLICATOR (LEFT-RIGHT FEED)
- 2 REELED WITH PAPER.
- 3 CONFIGURATION OF CARRIER-STRIP OPTIONAL.
- 4 FOR USE ON MINIATURE APPLICATOR (LEFT-RIGHT FEED) AMP-O-MATOR APPLICATION.
- 5 **OBSOLETE PARTS: OBSOLETE CIS STREAMLINING PER D.RENAUD/D.SINISI**

5 OBSOLETE	PRE-TIN PLATED	PH.BRONZE	4	6-160831-8
	PRE-TIN PLATED	BRASS	4	6-160831-7
5 OBSOLETE	TIN PLATED	PH.BRONZE	4	1-160831-2
	UNPLATED	BRASS	4	1-160831-1
5 OBSOLETE	TIN PLATED	BRASS	4	1-160831-0
	UNPLATED	NICKEL-SILVER		0-160831-9
5 OBSOLETE	SILVERPLATED	PH.BRONZE		0-160831-8
	SILVERPLATED	BRASS		0-160831-7
5 OBSOLETE	UNPLATED	BRASS	2	0-160831-6
	UNPLATED	PH.BRONZE	2	0-160831-5
	TIN PLATED	PH.BRONZE		0-160831-4
	TIN PLATED	BRASS		0-160831-3
	UNPLATED	PH.BRONZE		0-160831-2
	UNPLATED	BRASS		0-160831-1
	FINISH	MATERIAL		PART NUMBER



WIRE RANGE :	1.0-2.5 mm?
INSULATION RANGE :	3.0-4.3mm DIA.

0.5 MAX CUT OFF

				CUSTOMER DRAWING		FOR REFERENCE ONLY WILL NOT BE UPDATED		
				THIS DRAWING IS UNPUBLISHED RELEASED FOR PUBLICATION				
				STE TE Connectivity				
				NAME				
				POSITIVE LOCK RECEPTACLE .250 (6,35) SERIES				
M2	ECO-11-005294	RK	HMR	19APR11				
LTR.	REVISION RECORD	DR.	CHK.	DATE				
DR.:	J.v.LIEMPT	CHK.:	M.v.DRIEL	APP.:	M.v.DRIEL	DWG.No.	REV.LTR.	SHEET
DATE:	07 FEB 97	DATE:	18 FEB 02	DATE:	18 FEB 02	C-160831	M2	1 OF 1