



Chipsmall Limited consists of a professional team with an average of over 10 year of expertise in the distribution of electronic components. Based in Hongkong, we have already established firm and mutual-benefit business relationships with customers from,Europe,America and south Asia,supplying obsolete and hard-to-find components to meet their specific needs.

With the principle of "Quality Parts,Customers Priority,Honest Operation,and Considerate Service",our business mainly focus on the distribution of electronic components. Line cards we deal with include Microchip,ALPS,ROHM,Xilinx,Pulse,ON,Everlight and Freescale. Main products comprise IC,Modules,Potentiometer,IC Socket,Relay,Connector.Our parts cover such applications as commercial,industrial, and automotives areas.

We are looking forward to setting up business relationship with you and hope to provide you with the best service and solution. Let us make a better world for our industry!



## Contact us

Tel: +86-755-8981 8866 Fax: +86-755-8427 6832

Email & Skype: info@chipsmall.com Web: www.chipsmall.com

Address: A1208, Overseas Decoration Building, #122 Zhenhua RD., Futian, Shenzhen, China



THIS DRAWING IS UNPUBLISHED.


RELEASED FOR PUBLICATION

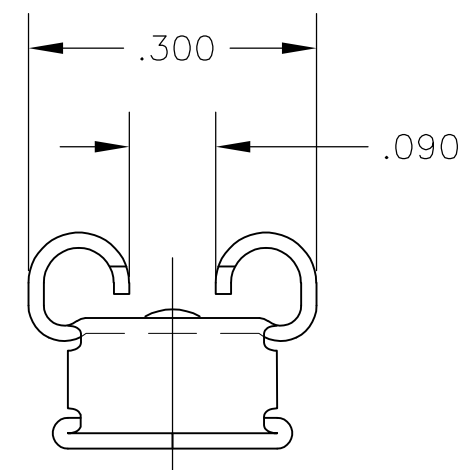
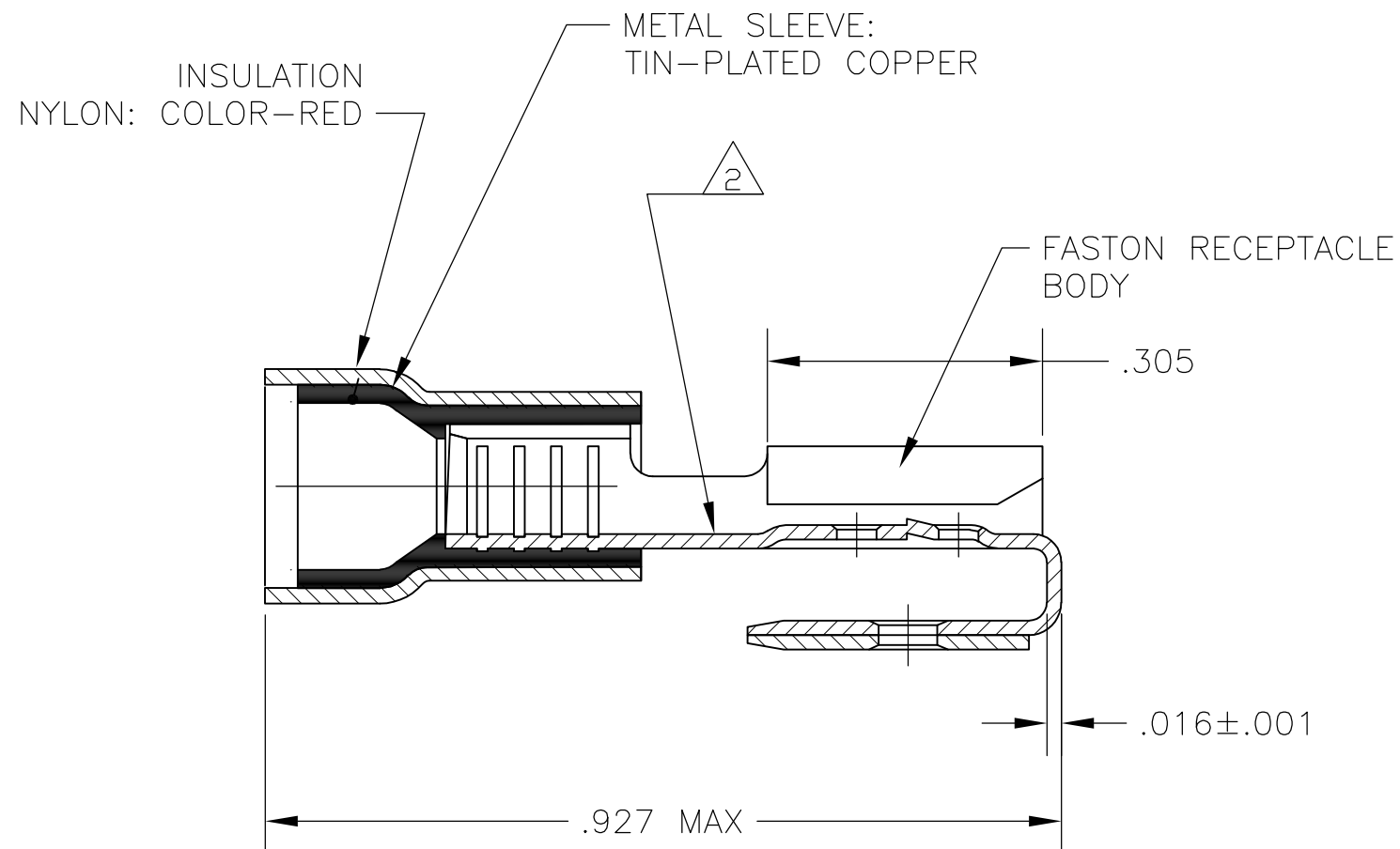
---


© COPYRIGHT - By -


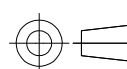
ALL RIGHTS RESERVED.

LOC	DIST	REVISIONS					
		P	LTR	DESCRIPTION	DATE	DWN	APVD
G	86		C2	REVISED PER ECO-11-004820	11MAR11	RK	HMR

- 1 MATING TAB THICKNESS .032
- 2  ASTERISK \* FOR PHOS BRONZE ITEMS ONLY.
- 3 WIRE INSULATION DIA TO BE .140 MAX
- 4 MAX RECOMMENDED OPERATING TEMP IS 105°C OR 221°F
- 5 VOLTAGE RATING IS 300V MAX
- 6 CIRCULAR MIL AREA 0.3-1,5mm<sup>2</sup> [592-2960]



TIN PLATING	PHOS BRONZE 	160834-5
TIN PLATING	BRASS	160834-2
FINISH - TERMINAL	FASTON RECEPTACLE MATERIAL	PART NO

THIS DRAWING IS A CONTROLLED DOCUMENT.		DWN jr_ruth 22FEB06	 TE Connectivity NAME 250 SERIES P.I.D.G. FASTON REC, ASS'Y, PIGGYBACK, LOOSE PIECE WIRE SIZE: 22-16 AWG				
DIMENSIONS: INCHES		CHK T MICHELUTTI 22FEB06				APVD T MICHELUTTI 22FEB06	RESTRICTED TO
		TOLERANCES UNLESS OTHERWISE SPECIFIED: 0 PLC ± - 1 PLC ± - 2 PLC ± .02 3 PLC ± .008 4 PLC ± - ANGLES ± 0°30'				SIZE A3	
MATERIAL SEE TABLE		FINISH SEE TABLE				CAGE CODE 00779	
		PRODUCT SPEC -		DRAWING NO C-160834			
		APPLICATION SPEC -		SCALE 5:1			
		WEIGHT -		SHEET 1 OF 1			
		CUSTOMER DRAWING		REV C2			