



Chipsmall Limited consists of a professional team with an average of over 10 year of expertise in the distribution of electronic components. Based in Hongkong, we have already established firm and mutual-benefit business relationships with customers from,Europe,America and south Asia,supplying obsolete and hard-to-find components to meet their specific needs.

With the principle of "Quality Parts,Customers Priority,Honest Operation,and Considerate Service",our business mainly focus on the distribution of electronic components. Line cards we deal with include Microchip,ALPS,ROHM,Xilinx,Pulse,ON,Everlight and Freescale. Main products comprise IC,Modules,Potentiometer,IC Socket,Relay,Connector.Our parts cover such applications as commercial,industrial, and automotives areas.

We are looking forward to setting up business relationship with you and hope to provide you with the best service and solution. Let us make a better world for our industry!



Contact us

Tel: +86-755-8981 8866 Fax: +86-755-8427 6832

Email & Skype: info@chipsmall.com Web: www.chipsmall.com

Address: A1208, Overseas Decoration Building, #122 Zhenhua RD., Futian, Shenzhen, China



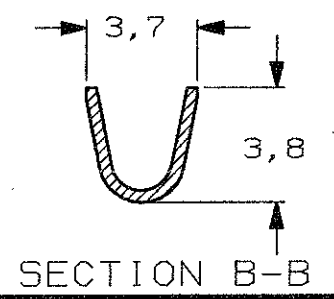
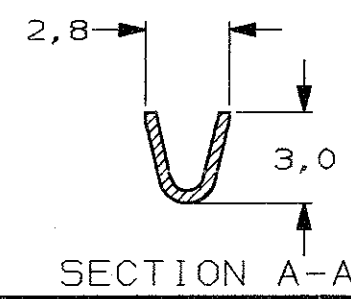
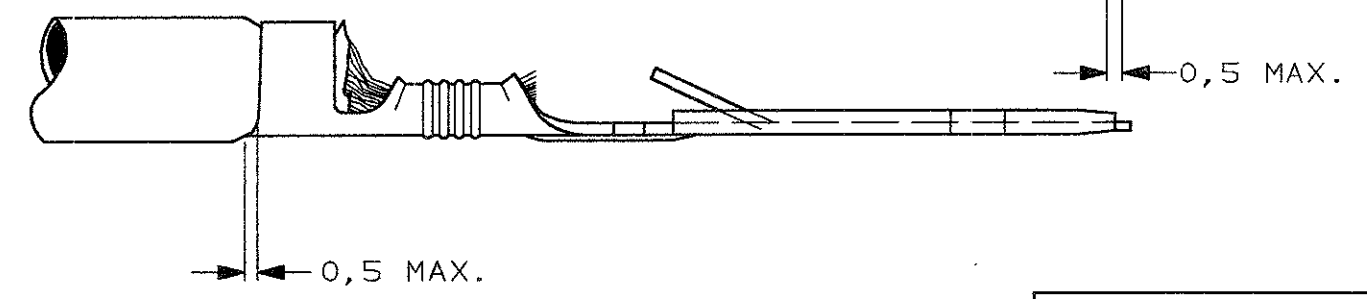
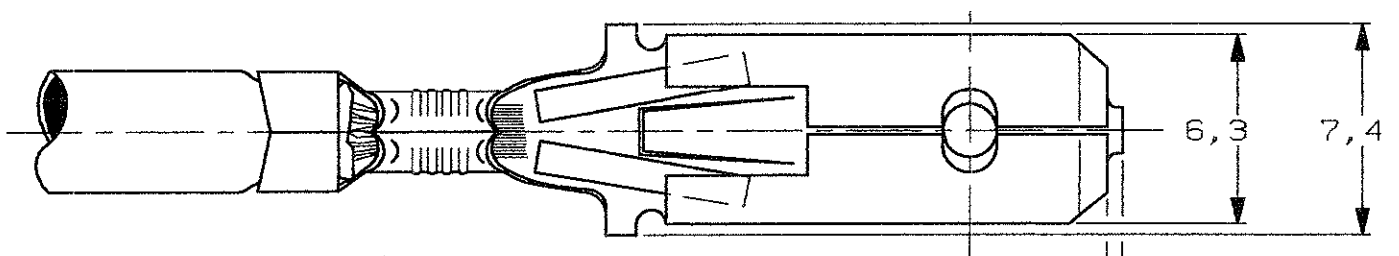
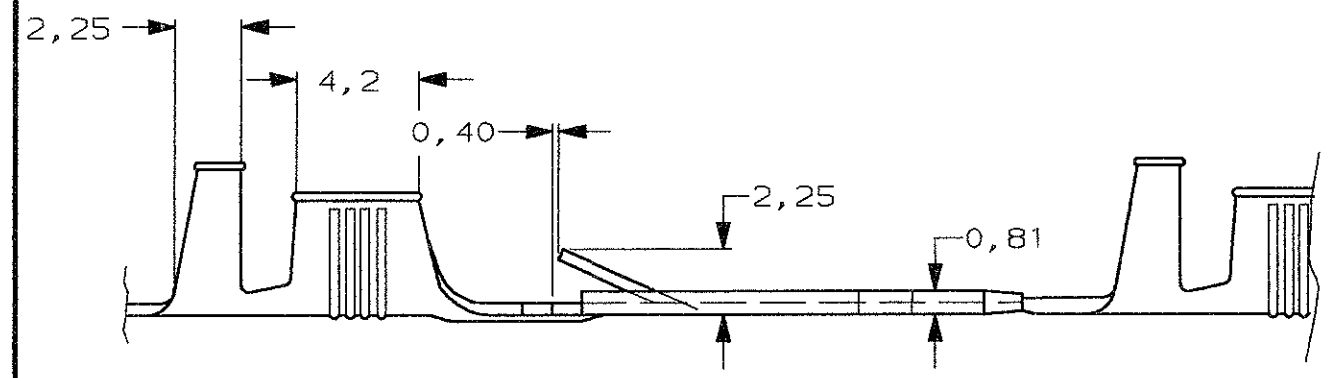
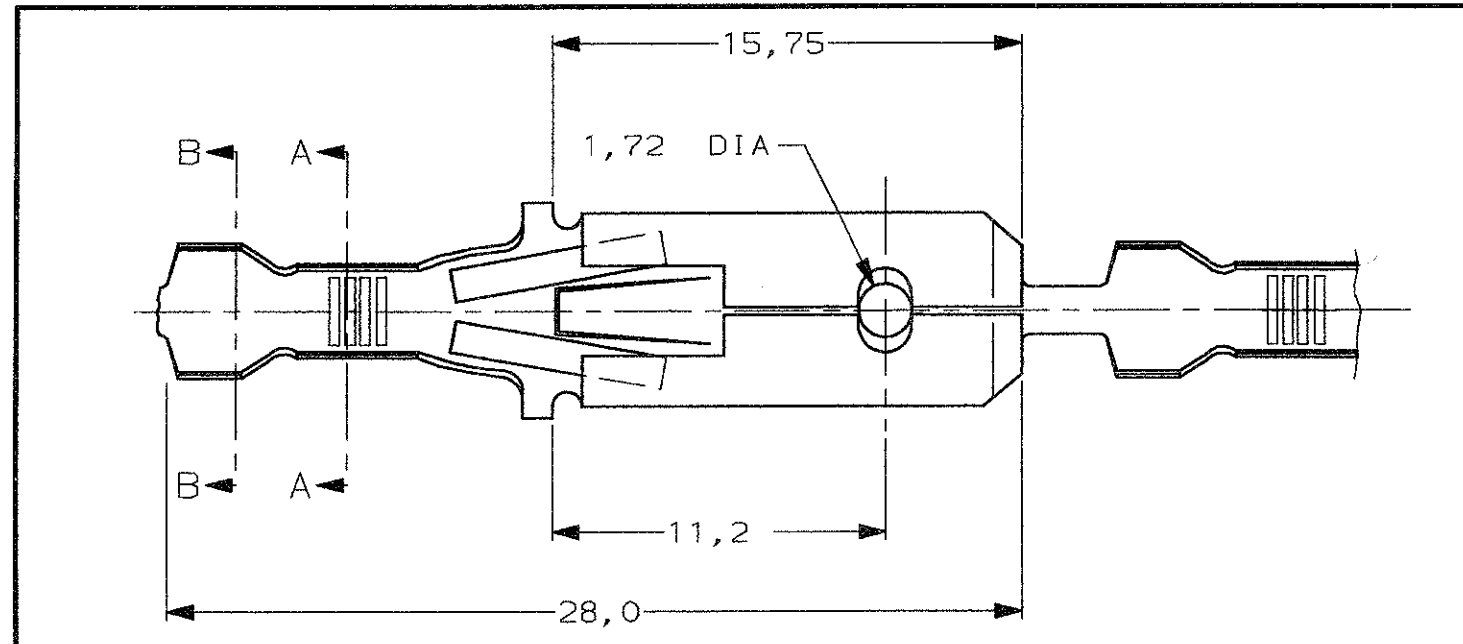
DO NOT SCALE
DIMENSIONS IN mm

METRIC

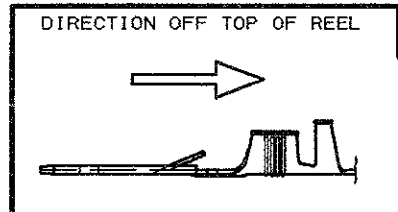
THIRD ANGLE
PROJECTION

NOTES:

- ① FOR USE ON MINIATURE APPLICATORS (LEFT-RIGHT FEED)
- ② PH. BRONZE ELONGATION A50 ≥ 20%.
- ③ OBSOLETE PARTS: OBSOLETE CIS STREAMLINING PER D.RENAUD/D.SINISI



WIRE RANGE :
0,5-1,0 mm²
INSULATION RANGE :
1,4-2,3mm DIA.



③ OBSOLETE	①	PRE-TINPLATED	BRASS	160859-8
	①	PRE-TINPLATED	Ph BRONZE	160859-7
	①	UNPLATED	Ph BRONZE	160859-6
	①	SILVERPLATED	Ph BRONZE	160859-5
	①	TINPLATED	Ph BRONZE	160859-4
	①	UNPLATED	Ph BRONZE	160859-3
	①	TINPLATED	BRASS	160859-2
	①	UNPLATED	BRASS	160859-1
	PLATING	PLATING	MATERIAL	PARTNUMBER

CUSTOMER DRAWING FOR REFERENCE ONLY
WILL NOT BE UPDATED

THIS DRAWING IS UNPUBLISHED
RELEASED FOR PUBLICATION - ,19 -



NAME
FASTIN-FASTON® Connector,
.250" sr. TAB CONTACT.

G3	REVISED PER ECO-11-005140	RK	HMR	31MAR11	
LTR.	REVISION RECORD	DR.	CHK.	DATE	
DR.:	J.v.LIEMPT.	CHK.:	A.BIJNEN.	APP.:	L.v.SOEST.
DATE:	23 MAR 1992	DATE:	-	DATE:	-

DWG. No.	C-160859	REV. LTR.	G3	SHEET	1 OF 1	A3
----------	----------	-----------	----	-------	--------	----