



Chipsmall Limited consists of a professional team with an average of over 10 year of expertise in the distribution of electronic components. Based in Hongkong, we have already established firm and mutual-benefit business relationships with customers from,Europe,America and south Asia,supplying obsolete and hard-to-find components to meet their specific needs.

With the principle of "Quality Parts,Customers Priority,Honest Operation,and Considerate Service",our business mainly focus on the distribution of electronic components. Line cards we deal with include Microchip,ALPS,ROHM,Xilinx,Pulse,ON,Everlight and Freescale. Main products comprise IC,Modules,Potentiometer,IC Socket,Relay,Connector.Our parts cover such applications as commercial,industrial, and automotives areas.

We are looking forward to setting up business relationship with you and hope to provide you with the best service and solution. Let us make a better world for our industry!



## Contact us

Tel: +86-755-8981 8866 Fax: +86-755-8427 6832

Email & Skype: info@chipsmall.com Web: www.chipsmall.com

Address: A1208, Overseas Decoration Building, #122 Zhenhua RD., Futian, Shenzhen, China

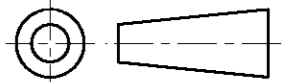


DO NOT SCALE

DIMENSIONS IN mm

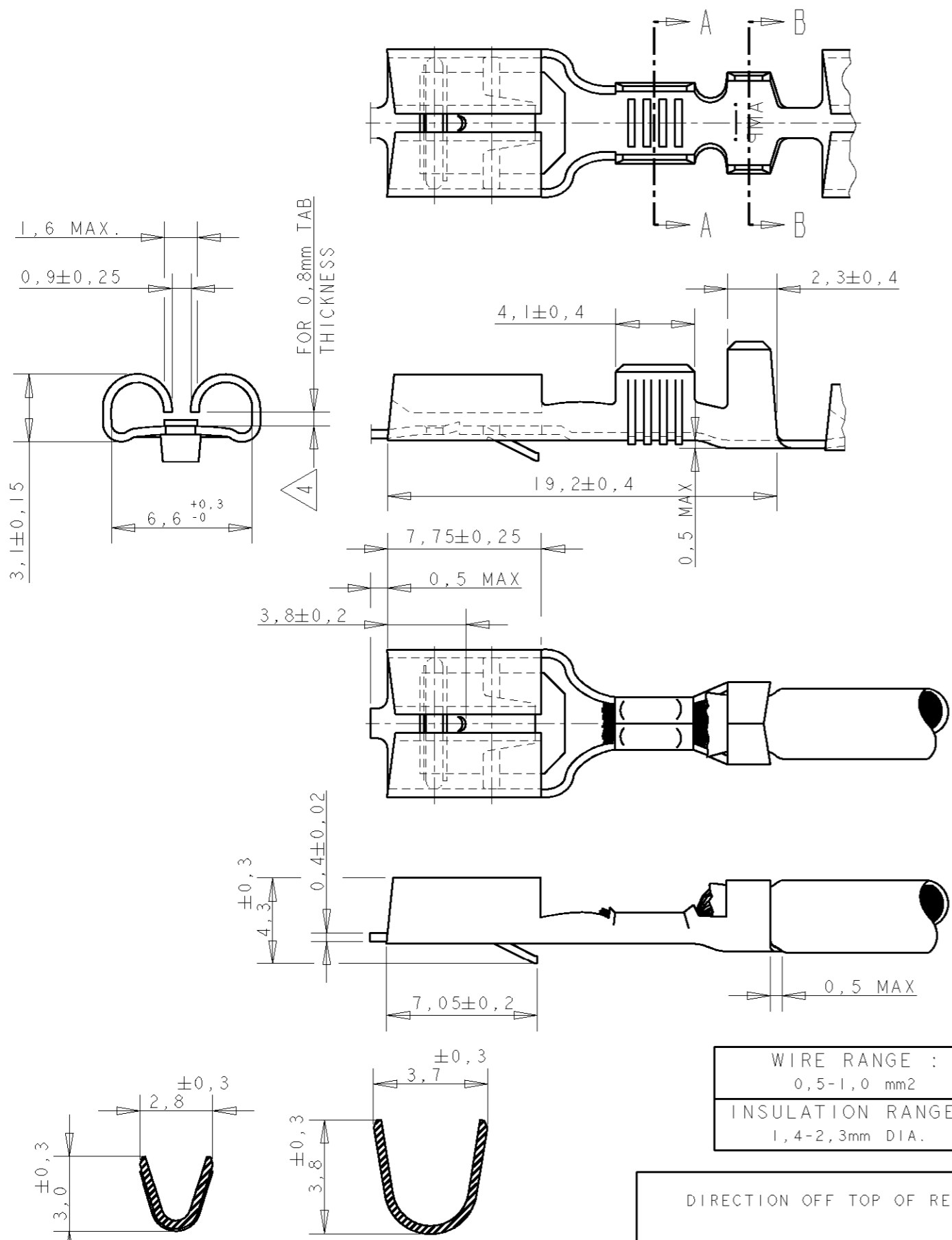
METRIC

THIRD ANGLE  
PROJECTION



NOTES:

- 1 FOR USE ON MINIATURE APPLICATORS ( LEFT-RIGHT FEED ) AND STANDARD APPLICATORS ( RIGHT-LEFT FEED ).
- 2 BRASS ACC ASTM B36 ALLOY 260.
- 3 PH.BRONZE ACC ASTM B103.
- 4 GAGE 0,71 MUST NOT ENTER ; GAGE 0,51 MUST ENTER.
- 5 REELED WITH PAPER COVER
- 6 OBSOLETE PARTS: OBSOLETE CIS STREAMLINING PER D.RENAUD/D.SINISI



GENERAL TOLERANCES ±0.3

6	OBSOLETE	NOTES	FINISH	MATERIAL	PARTNUMBER
		1 3	PRE-TINPLATED	PH.BRONZE	<del>6-160860-8</del>
		1 2	PRE-TINPLATED	BRASS	<del>6-160860-7</del>
		1 3	TINPLATED	PH.BRONZE	160860-4
		1 3	UNPLATED	PH.BRONZE	160860-3
		1 2	TINPLATED	BRASS	160860-2
		1 2	UNPLATED	BRASS	160860-1

CUSTOMER DRAWING FOR REFERENCE ONLY WILL NOT BE UPDATED

THIS DRAWING IS UNPUBLISHED RELEASED FOR PUBLICATION



NAME .250 SRS FASTIN-ON RECEPTACLE

<b>D2</b>	REVISED PER ECO-11-005140	<b>RK</b>	<b>HMR</b>	<b>01APR11</b>	
LTR.	REVISION RECORD	DR.	CHK.	DATE	
DR.:	P.BEIJNON	CHK.:	A.BIJNEN	APP.:	L.v.SOEST
DATE:	14-03-90	DATE:	-	DATE:	18-04-90

DWG.No.	160860	REV.LTR.	<b>D2</b>	SHEET	1 OF 1	A3
---------	--------	----------	-----------	-------	--------	----