



Chipsmall Limited consists of a professional team with an average of over 10 year of expertise in the distribution of electronic components. Based in Hongkong, we have already established firm and mutual-benefit business relationships with customers from,Europe,America and south Asia,supplying obsolete and hard-to-find components to meet their specific needs.

With the principle of “Quality Parts,Customers Priority,Honest Operation,and Considerate Service”,our business mainly focus on the distribution of electronic components. Line cards we deal with include Microchip,ALPS,ROHM,Xilinx,Pulse,ON,Everlight and Freescale. Main products comprise IC,Modules,Potentiometer,IC Socket,Relay,Connector.Our parts cover such applications as commercial,industrial, and automotives areas.

We are looking forward to setting up business relationship with you and hope to provide you with the best service and solution. Let us make a better world for our industry!



Contact us

Tel: +86-755-8981 8866 Fax: +86-755-8427 6832

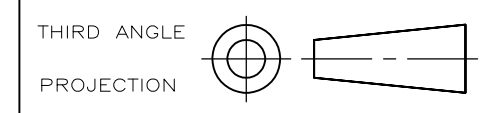
Email & Skype: info@chipsmall.com Web: www.chipsmall.com

Address: A1208, Overseas Decoration Building, #122 Zhenhua RD., Futian, Shenzhen, China



DO NOT SCALE
DIMENSIONS IN INCH

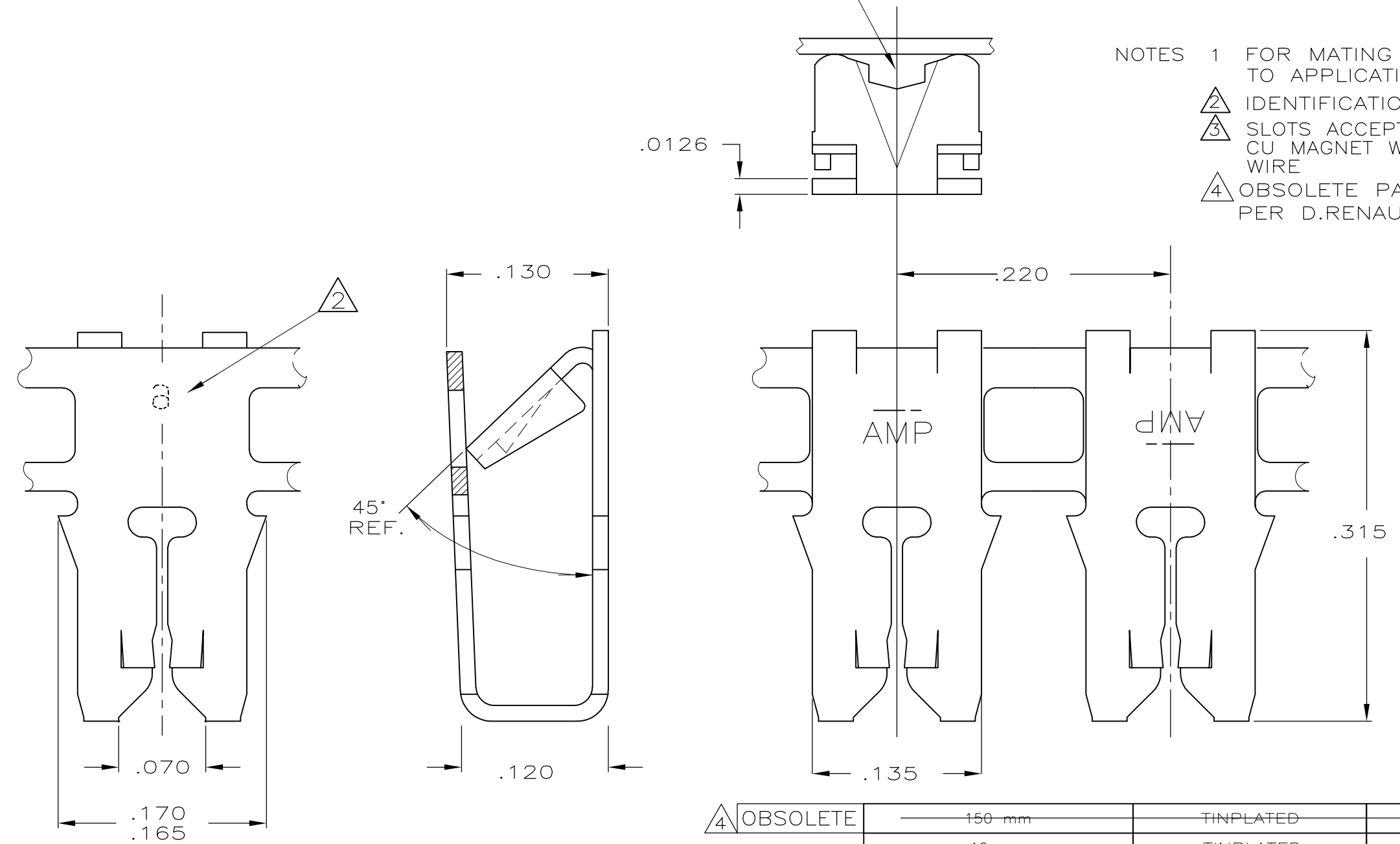
INCH



REV	REVISION RECORD	DATE	DW	APD
A1	REVISED PER ECO-09-020932	04SEP09	KK	AEG

TO ACCEPT AWG 20 OR AWG 18 SOLID
OR FUSED STRANDED LEAD WIRE

- NOTES
- 1 FOR MATING CAVITY SPECIFICATIONS REFER TO APPLICATION SPEC. #114-2046
 - 2 IDENTIFICATION NUMBER FOR SLOT SIZE "6"
 - 3 SLOTS ACCEPT SINGLE OR DOUBLE AWG 30-27 CU MAGNET WIRE OR AWG 28-25 AL MAGNET WIRE
 - 4 OBSOLETE PARTS: OBSOLETE CIS STREAMLINING PER D.RENAUD/D.SINISI



4 OBSOLETE	150 mm	TINPLATED	BRASS	160899-5
	12 mm	TINPLATED	BRASS	160899-4
	REELWIDTH	FINISH	MATERIAL	PARTNUMBER
	CUSTOMER DRAWING	AMP-HOLLAND B.V. 's-Hertogenbosch, The Netherlands.		
FOR REFERENCE ONLY WILL NOT BE UPDATED		THIS DRAWING IS UNPUBLISHED RELEASED FOR PUBLICATION APRIL, 1985 © COPYRIGHT 19 86,87,88 BY AMP-HOLLAND B.V. ALL INTERNATIONAL RIGHTS RESERVED. AMP PRODUCTS MAY BE COVERED BY U.S. AND FOREIGN PATENTS AND/OR PATENTS PENDING.		
DR. D.CAMPSCROER	DATE 30/05/85	WIRE RANGE 3	NAME MAG-MATE	REV.DATE D M Y
CHK. W.ESSER	DATE	INSUL.RANGE	POKE-IN TERMINAL	160388
APP. L.VAN SOEST	DATE	SIZE A3	SHEET 1 OF 1	DWG. No. 160899 REV.LTR. A1

8 7 6 5 4 3 2 1