



Chipsmall Limited consists of a professional team with an average of over 10 year of expertise in the distribution of electronic components. Based in Hongkong, we have already established firm and mutual-benefit business relationships with customers from,Europe,America and south Asia,supplying obsolete and hard-to-find components to meet their specific needs.

With the principle of “Quality Parts,Customers Priority,Honest Operation,and Considerate Service”,our business mainly focus on the distribution of electronic components. Line cards we deal with include Microchip,ALPS,ROHM,Xilinx,Pulse,ON,Everlight and Freescale. Main products comprise IC,Modules,Potentiometer,IC Socket,Relay,Connector.Our parts cover such applications as commercial,industrial, and automotives areas.

We are looking forward to setting up business relationship with you and hope to provide you with the best service and solution. Let us make a better world for our industry!



Contact us

Tel: +86-755-8981 8866 Fax: +86-755-8427 6832

Email & Skype: info@chipsmall.com Web: www.chipsmall.com

Address: A1208, Overseas Decoration Building, #122 Zhenhua RD., Futian, Shenzhen, China



SAFETY ORGANIZATIONS

THIS FILTER HAS BEEN FORMALLY RECOGNIZED, CERTIFIED OR APPROVED BY THE LISTED AGENCY. THEREFORE, ALL TEST/REQUIREMENTS SPECIFIED IN THE LATEST REVISION OF THE FOLLOWING AGENCY STANDARDS HAVE BEEN MET:

UL RECOGNIZED: UL 1283
 CSA CERTIFIED: CSA 22.2, #8
 VDE APPROVED: EN 133 200

OPERATING SPECIFICATIONS

LINE CURRENT/VOLTAGE: 1 AMP 120/250VAC
 1 AMP/40°C, 250VAC

LINE FREQUENCY: 50-60Hz

MAXIMUM LEAKAGE CURRENT,

EACH LINE TO GROUND: 0.22 mA @ 120V 60Hz
 0.38 mA @ 250V 50Hz

OPERATING AMBIENT TEMP. RANGE: -10°C TO +40°C @ RATED CURRENT, I_r .

IN AN AMBIENT, T_0 , HIGHER THAN 40°C, THE MAXIMUM OPERATING CURRENT, I_0 , IS AS FOLLOWS:

$$I_0 = I_r \sqrt{\frac{85 - T_0}{45}}$$

RELIABILITY SPECIFICATIONS:

STORAGE TEMPERATURE: -40°C TO +85°C
 HUMIDITY: 21 DAYS @ 40°C 95% RH.
 CURRENT OVERLOAD TEST: 6 TIMES I_r FOR 8 SECONDS

TEST SPECIFICATIONS:

INDUCTANCE: 10.0mH NOMINAL
 CAPACITANCE: (MEASURED @ 1KHz, 0.250VAC MAX., 25°C±1°C)
 LINE TO GROUND: 0.0059µF ±20%
 LINE TO LINE: 0.1015µF ±20%
 DISCHARGE RESISTOR: 1.5M Ω
 L/G AND L/L I.R., NO DISCHARGE RESISTOR: 6000MΩ (MIN.) @ 100VDC, 20°C AND 50% RH

RECOMMENDED RECEIVING INSPECTION HIPOT:

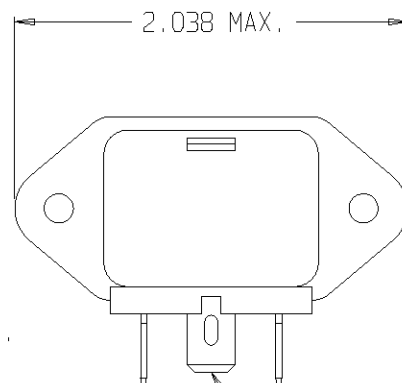
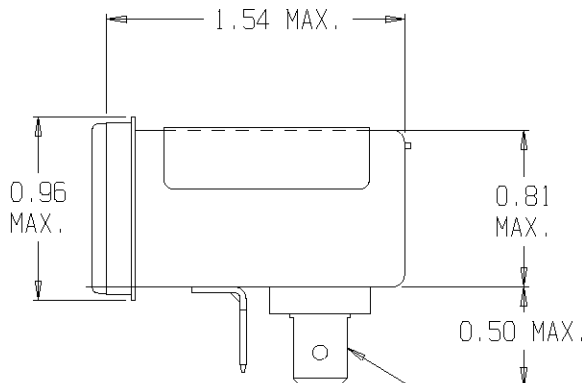
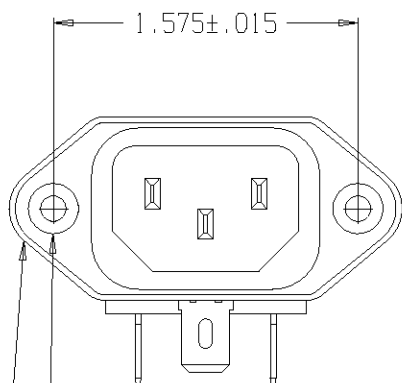
LINE TO GROUND: 1500 VAC OR 2250 VDC FOR 1 MINUTE
 LINE TO LINE: 1450 VDC FOR 1 MINUTE

FILTER APPROVAL:

THE BEST WAY TO SELECT AND QUALIFY A FILTER IS FOR YOUR ENGINEERING TO TEST THE UNIT IN YOUR EQUIPMENT.

CATALOG #1EEJ2

| ECN # | APPRVD. | DATE |
|---------------|---------|---------|
| 0631-0174-03 | PJD | 05MAY03 |
| ECO-09-026495 | AEG | 10DEC09 |

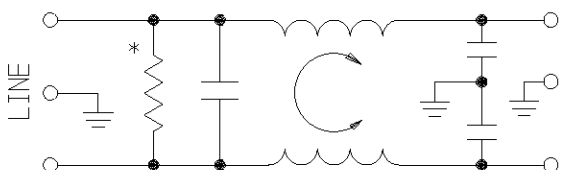
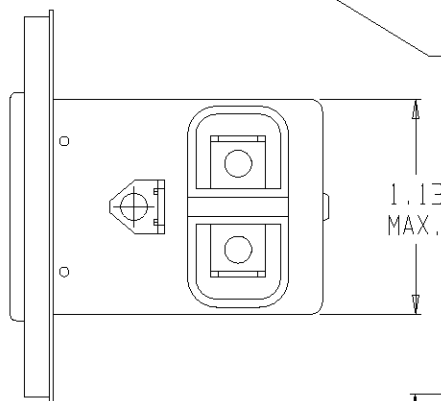


Ø0.132±.01 WITH 0.260 REF. X90° CONTERSUNK HOLE FOR #4 FLAT HEAD SCREW (2X)

CAN FLANGE EXTENDS BEYOND PERIMETER OF CONNECTOR AS SHOWN

0.25 TERMINAL WITH 0.069 HOLE (2X)

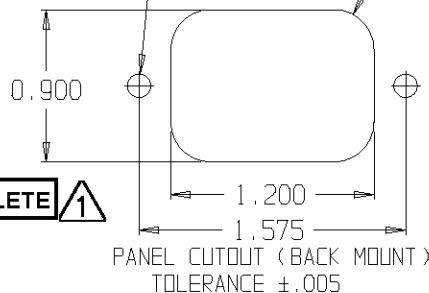
0.25 TERMINAL WITH 0.069 X 0.155 SLOT



* RESISTOR LOCATION OPTIONAL

4609006-2 OBSOLETE **1**
6609006-2

Ø0.140 (2X) R0.234 (4X)

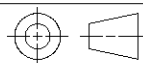


1 OBSOLETE PARTS: OBSOLETE CIS STREAMLINING PER D.RENAUD/D.SINISI

50Ω - 50Ω (MINIMUM) INSERTION LOSS

| FREQUENCY MHz | .01 | .05 | .10 | .15 | .50 | 1 | 5 | 10 | 30 |
|---------------|-----|-----|-----|-----|-----|----|----|----|----|
| COMMON dB | 15 | 27 | 32 | 37 | 44 | 52 | 50 | 50 | 40 |
| DIFF. dB | - | - | 5 | 8 | 19 | 27 | 45 | 43 | 40 |

THIRD ANGLE PROJECTION



UNLESS OTHERWISE SPECIFIED, TOLERANCE TO BE ±.025 MATERIAL & FINISH: AS SUPPLIED

This document is proprietary to CORCOM INC. and is not to be reproduced nor used for manufacturing purposes except on CORCOM'S prior written consent.

tyco/Electronics **corecom**
 844 E. ROCKLAND RD., LIBERTYVILLE IL 60048

POWER LINE FILTER

| | | |
|-------------------------|-------------------|--------------|
| CAD FILE: G:\CD\1EEJ202 | TYCO: 0-1609006-2 | REV. |
| SCALE: NTS | DATE: 02-20-02 | CATALOG NO. |
| DRW. BY: PJD | DRIG: PJD | 1EEJ2 |
| | | 3 |