



Chipsmall Limited consists of a professional team with an average of over 10 year of expertise in the distribution of electronic components. Based in Hongkong, we have already established firm and mutual-benefit business relationships with customers from,Europe,America and south Asia,supplying obsolete and hard-to-find components to meet their specific needs.

With the principle of “Quality Parts,Customers Priority,Honest Operation,and Considerate Service”,our business mainly focus on the distribution of electronic components. Line cards we deal with include Microchip,ALPS,ROHM,Xilinx,Pulse,ON,Everlight and Freescale. Main products comprise IC,Modules,Potentiometer,IC Socket,Relay,Connector.Our parts cover such applications as commercial,industrial, and automotives areas.

We are looking forward to setting up business relationship with you and hope to provide you with the best service and solution. Let us make a better world for our industry!



## Contact us

Tel: +86-755-8981 8866 Fax: +86-755-8427 6832

Email & Skype: info@chipsmall.com Web: www.chipsmall.com

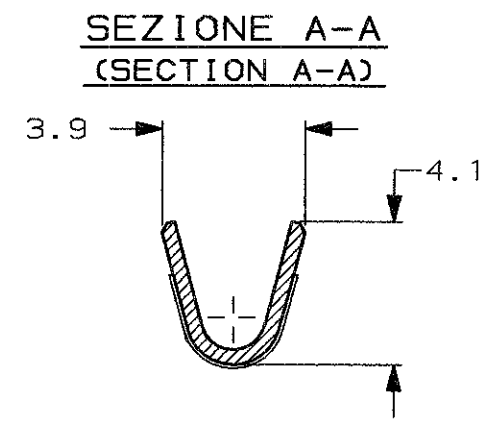
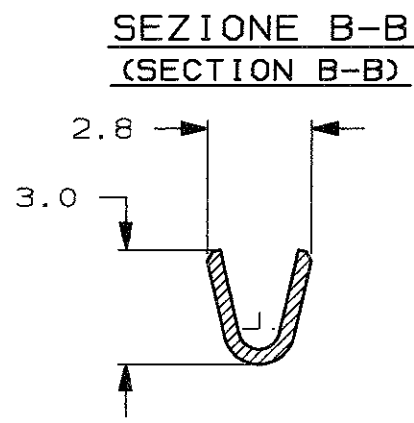
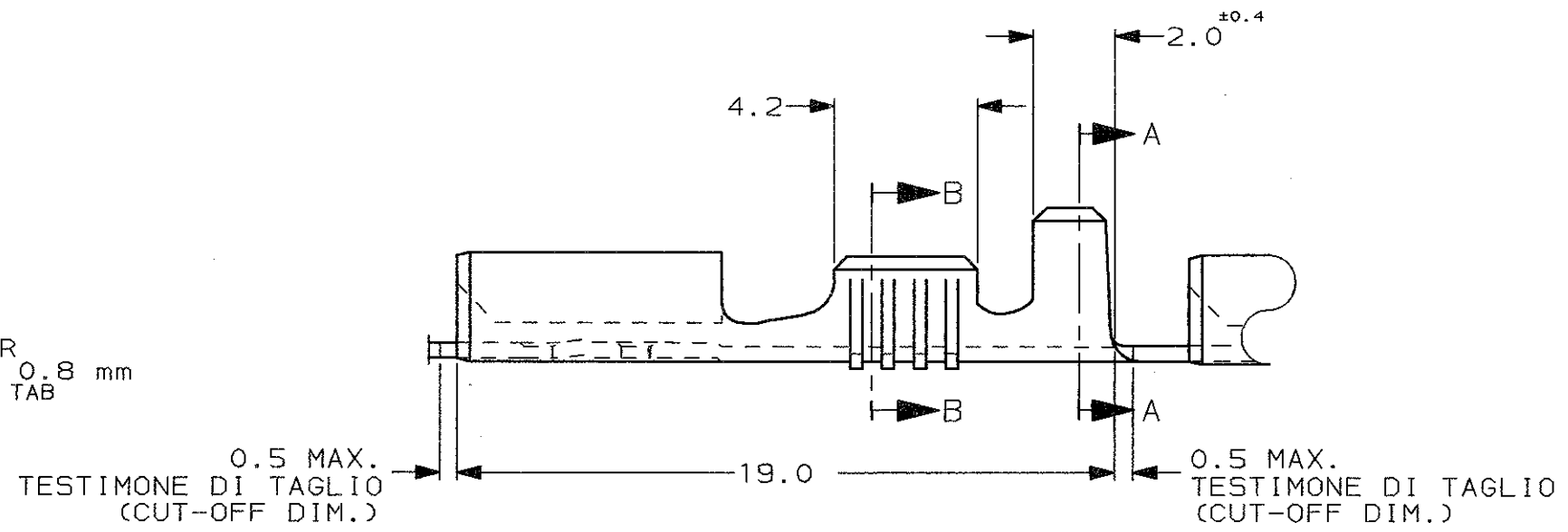
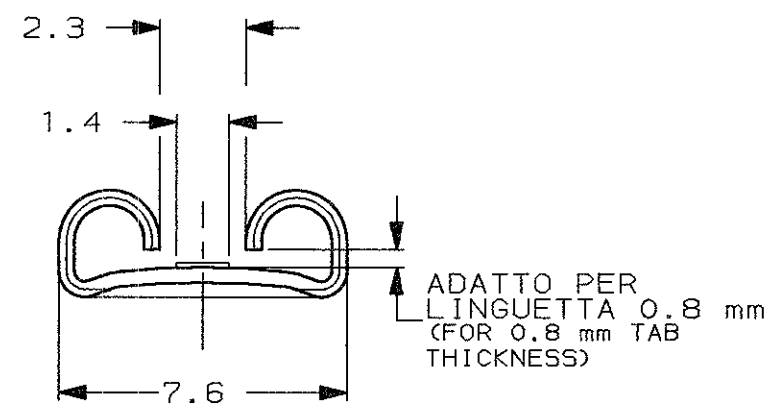
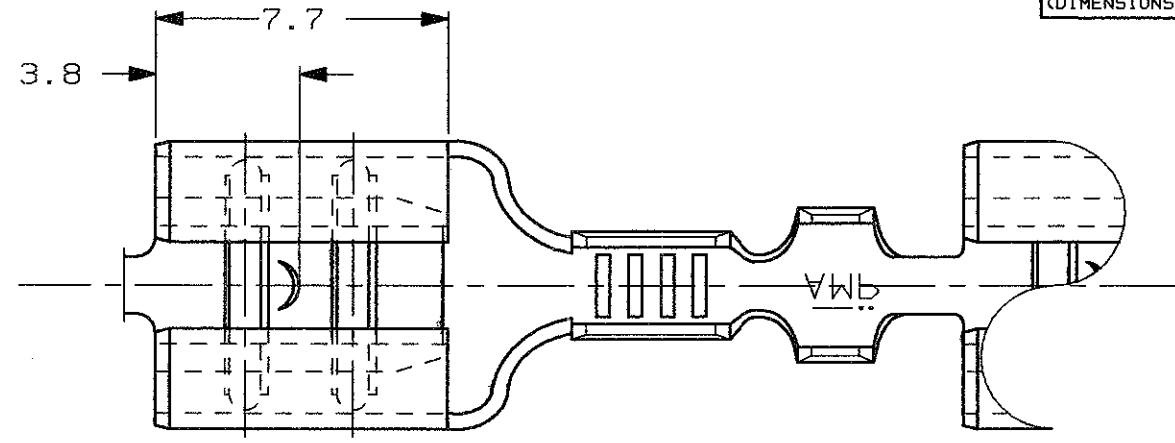
Address: A1208, Overseas Decoration Building, #122 Zhenhua RD., Futian, Shenzhen, China



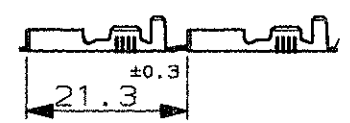
SCALA NON IMPEGNATIVA  
(DO NOT SCALE)  
DIMENSIONI IN mm  
(DIMENSIONS IN mm)

**METRIC**

THIRD ANGLE  
PROJECTION



1) STATO DI FORNITURA - SCALA 1:1  
(SUPPLY CONDITION - SCALE 1:1)



SENSO DI USCITA  
DEL TERMINALE  
DALLA BOBINA  
(DIRECTION OFF  
TOP OF REEL)

2) SPECIFICA DI PRODOTTO 108-20019  
(PRODUCT SPEC. 108-20019)

⚠ NON DISPONIBILE DA AMP ITALIA  
(NOT AVAILABLE FROM AMP ITALY)

3	STAGNATO (TIN PLATED)	OTTONE (BRASS)	0-160915-5
	STAGNATO (TIN PLATED)	BRONZO FOS. (PH. BRONZE)	0-160915-2
	NUDO (UNPLATED)	BRONZO FOS. (PH. BRONZE)	0-160915-1
NOTE	FINITURA / COLORE (FINISH / COLOUR)	MATERIALE (MATERIAL)	NUMERO (AMP P/N)

**CUSTOMER DWG. FOR REFERENCE ONLY**     **DISEGNO PER CLIENTE SOLO PER RIFERIMENTO**

~~THIS DRAWING IS UNPUBLISHED~~     RELEASE FOR PUBLICATION     19

© COPYRIGHT 19 BY AMP INCORPORATED, HARRISBURG, PA. ALL INTERNATIONAL RIGHT RESERVED. AMP PRODUCTS MAY BE COVERED BY U.S. AND FOREIGN PATENT AND/OR PATENT PENDING

TOLLERANZE: SE NON DIVERSAMENTE SPECIFICATO (TOLERANCES, UNLESS OTHERWISE SPECIFIED)	DIAM. ISOLANTE (INS. DIA. RANGE)	RANGO FILO (WIRE RANGE) mm2	SCALA (SCALE)
± 0.3	1.4-2.3	0.5-1.0	5:1

ANGOLI (ANGLES) ± 2°

DIS. H. YAALI (DR.) 14 JUN 2000  
CONT. C. TARTARI (CHK) 14 JUN 2000

**AMP**     **AMP ITALIA S.p.A.**  
Corso F. Lli Cervi, 15  
COLLEGNO (TORINO)

DESCRIZIONE (DESCRIPTION)     **FASTON® Connector, .250" sr. REC. CONTACT.**

REV. (REV.)	LOC. (LOC.)	SIZE (SIZE)	NUMERO (DWG NO)	REV.	FOGLIO (SHEET)
J	I	A3	C-160915	J	1 OF 1

J	OBSOLETE PARTS & REDRAWN ET00-0309-99	H. Y.	09 MAR 2000
REV. (REV.)	REVISIONI (REVISION RECORD)	DIS. (DR)	DATA (DATE)

DISTRIBUZIONE (PRINT DIST.)