



Chipsmall Limited consists of a professional team with an average of over 10 year of expertise in the distribution of electronic components. Based in Hongkong, we have already established firm and mutual-benefit business relationships with customers from,Europe,America and south Asia,supplying obsolete and hard-to-find components to meet their specific needs.

With the principle of “Quality Parts,Customers Priority,Honest Operation,and Considerate Service”,our business mainly focus on the distribution of electronic components. Line cards we deal with include Microchip,ALPS,ROHM,Xilinx,Pulse,ON,Everlight and Freescale. Main products comprise IC,Modules,Potentiometer,IC Socket,Relay,Connector.Our parts cover such applications as commercial,industrial, and automotives areas.

We are looking forward to setting up business relationship with you and hope to provide you with the best service and solution. Let us make a better world for our industry!



## Contact us

Tel: +86-755-8981 8866 Fax: +86-755-8427 6832

Email & Skype: info@chipsmall.com Web: www.chipsmall.com

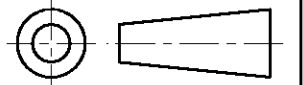
Address: A1208, Overseas Decoration Building, #122 Zhenhua RD., Futian, Shenzhen, China



DO NOT SCALE  
DIMENSIONS IN mm

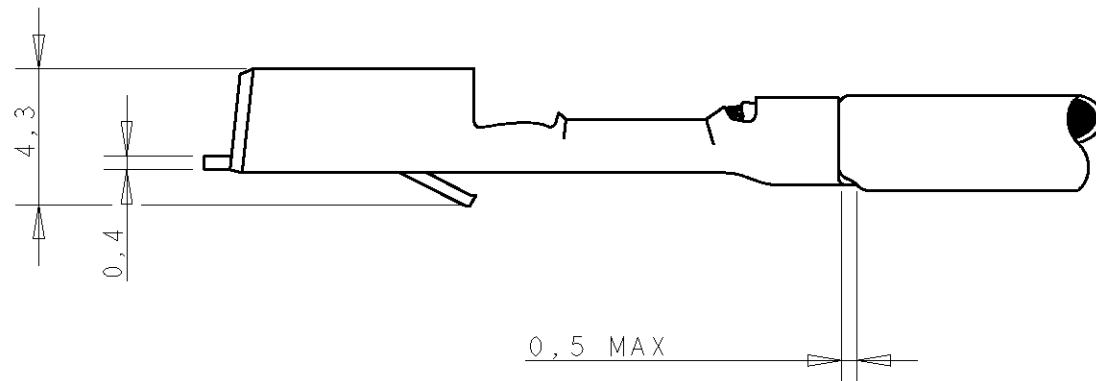
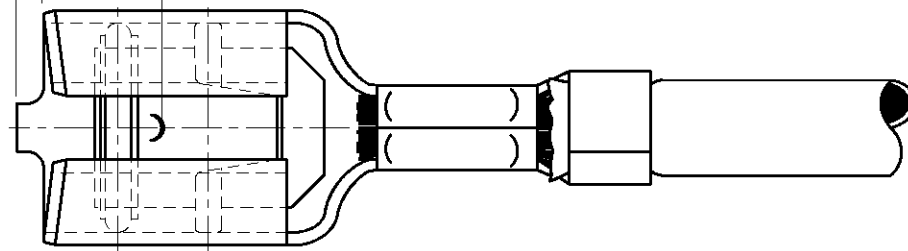
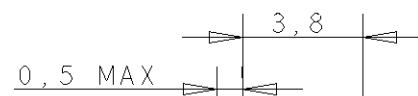
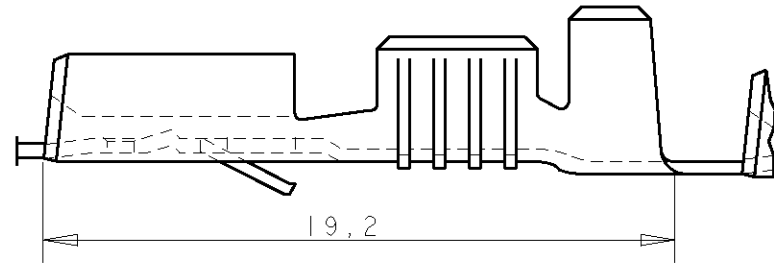
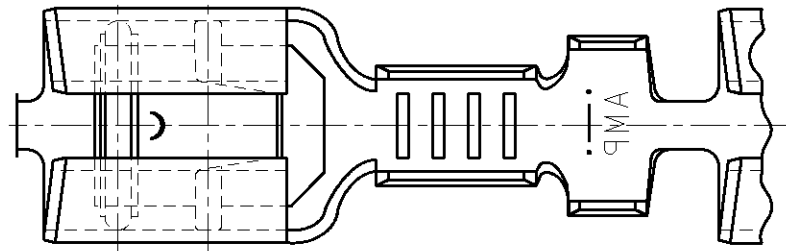
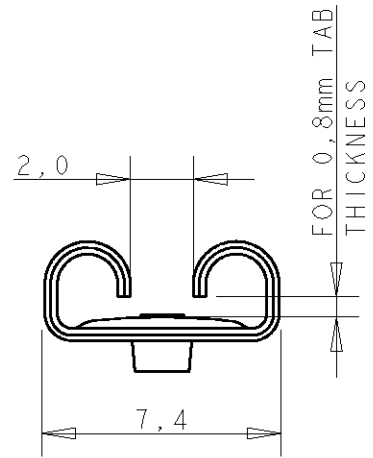
METRIC

THIRD ANGLE  
PROJECTION



NOTES

- 1. FOR USE ON MINIATURE APPLICATORS ( LEFT-RIGHT FEED ) AND STANDARD APPLICATORS ( RIGHT-LEFT FEED ).
- 2. REELED WITH PAPER AND PAPER COVER.
- 3. OBSOLETE PARTS: OBSOLETE CIS STREAMLINING PER D.RENAUD/D.SINISI



WIRE RANGE :  
>1,0-2,5 mm<sup>2</sup>  
INSULATION RANGE :  
2,1-3,1 DIA.

GENERAL TOLERANCES ±0.3

NOTES	FINISH	MATERIAL	PARTNUMBER
OBSOLETE 3	PRE-TINPLATED	PH.BRONZE	<del>6-160917-8</del>
	PRE-TINPLATED	BRASS	<del>6-160917-7</del>
	TINPLATED	PH.BRONZE	160917-4
	UNPLATED	PH.BRONZE	160917-3
	TINPLATED	BRASS	160917-2
	UNPLATED	BRASS	160917-1

DR.	CHK.	APP.	DATE	REV.	DATE	DATE	DATE	DWG. No.	REV. LTR.	SHEET	OF
R.V.LOKVEN.	A.BIJNEN.	L.V.SOEST.	31-07-87	E3	10-08-87	25-08-887		160917		1	1
E3 REVISED PER ECO-11-005139				RK	HMR	28MAR11					
LTR. REVISION RECORD				DR.	CHK.	DATE					
CUSTOMER DRAWING							FOR REFERENCE ONLY WILL NOT BE UPDATED				
THIS DRAWING IS UNPUBLISHED							RELEASED FOR PUBLICATION JULY, 19 87				
<b>STE</b> TE Connectivity											
NAME							.250 SRS FASTIN-ON RECEPTACLE.				
E3							A3				