



Chipsmall Limited consists of a professional team with an average of over 10 year of expertise in the distribution of electronic components. Based in Hongkong, we have already established firm and mutual-benefit business relationships with customers from,Europe,America and south Asia,supplying obsolete and hard-to-find components to meet their specific needs.

With the principle of “Quality Parts,Customers Priority,Honest Operation,and Considerate Service”,our business mainly focus on the distribution of electronic components. Line cards we deal with include Microchip,ALPS,ROHM,Xilinx,Pulse,ON,Everlight and Freescale. Main products comprise IC,Modules,Potentiometer,IC Socket,Relay,Connector.Our parts cover such applications as commercial,industrial, and automotives areas.

We are looking forward to setting up business relationship with you and hope to provide you with the best service and solution. Let us make a better world for our industry!



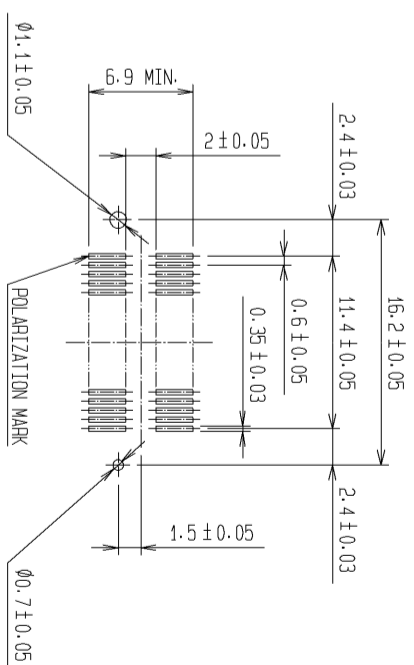
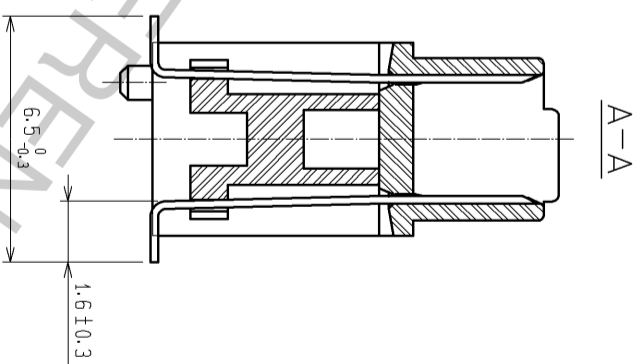
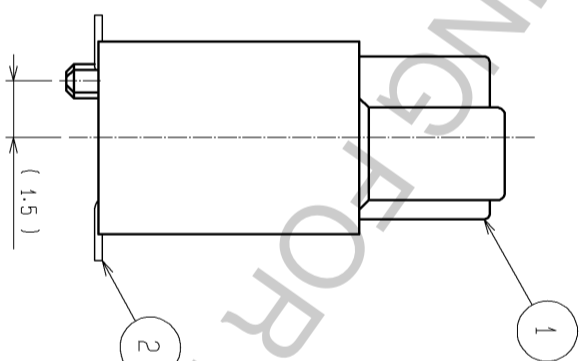
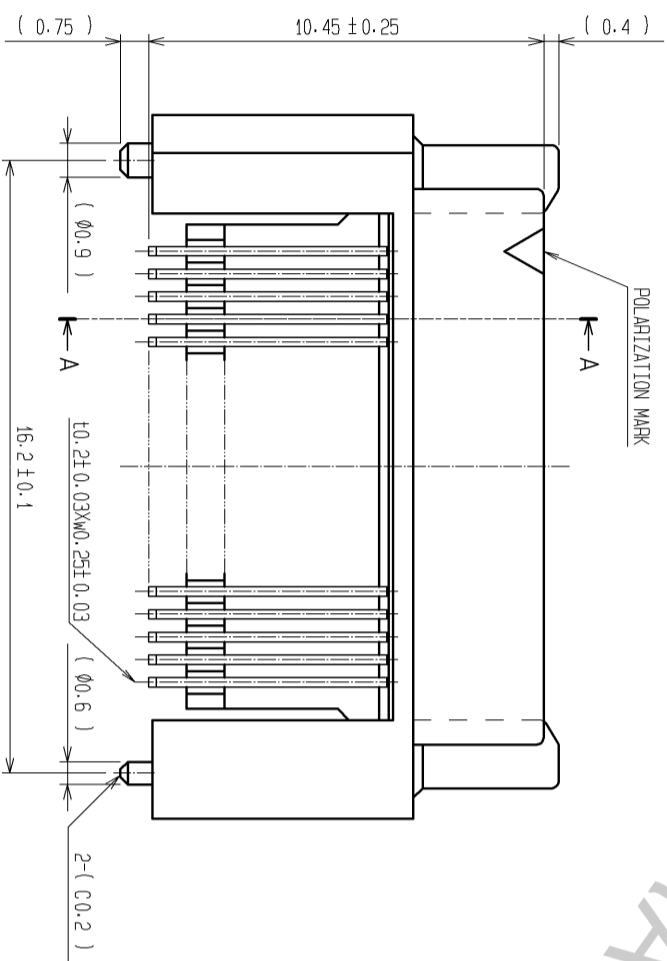
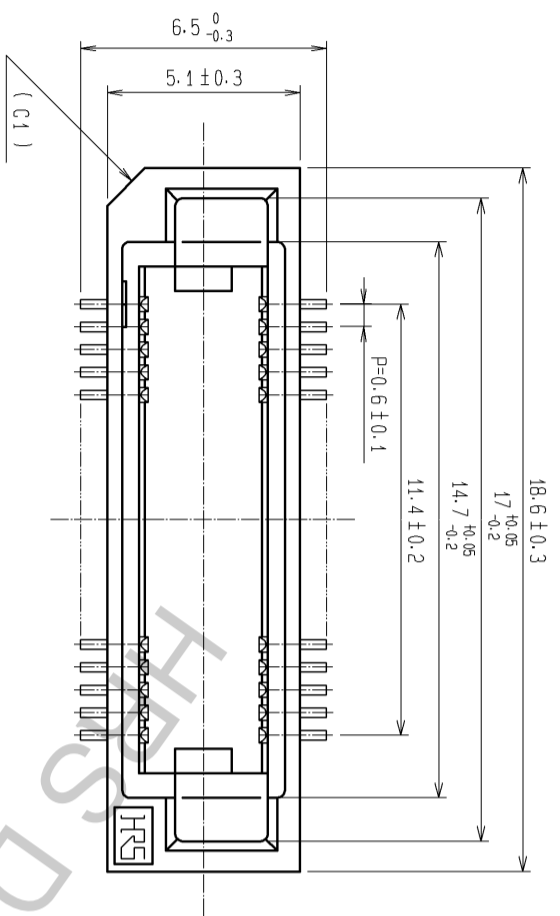
Contact us

Tel: +86-755-8981 8866 Fax: +86-755-8427 6832

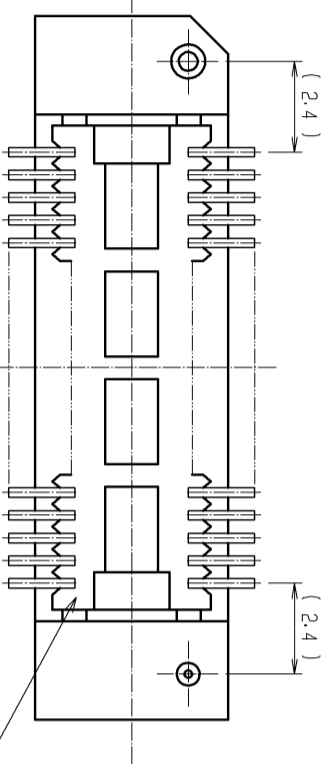
Email & Skype: info@chipsmall.com Web: www.chipsmall.com

Address: A1208, Overseas Decoration Building, #122 Zhenhua RD., Futian, Shenzhen, China





RECOMMENDED LAND PATTERN DIMENSION OF PCB (MOUNTING SIDE) (2:1)
(RECOMMENDED METAL MASK THICKNESS: 0.15mm)



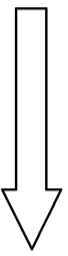
- NOTE 1. LEAD CO-PLANARITY SHALL BE 0.1mm MAX.
 2. EMBOSSED CARRIER TAPE PACKAGING SHALL BE APPLIED TO THIS PRODUCT.
 SEE NEXT PAGE FOR DETAILS.
 3. FOR MODIFICATION, ETC., PREVENTIVE HOLE FOR SINK MARK MAY BE ADDED ACCORDING TO CIRCUMSTANCES.
 4. THE DIMENSIONS IN PARENTHESES ARE FOR REFERENCE.

2	PHOSPHOR BRONZE	CONTACT AREA: GOLD 0.14μm min. LEAD AREA: TIN-PLATING 24μm min.	5	POLYESTER (TOP COVER TAPE)		
1, 3	PPS	UNDER PLATING: NICKEL 14μm min. LIGHT BROWN (UL94V-0)	4	POLYSTYRENE (EMBOSSED CARRIER TAPE)		
NO.	MATERIAL	FINISH . REMARKS	NO.	MATERIAL	FINISH . REMARKS	
UNITS	SCALE	COUNT	DESCRIPTION OF REVISIONS	DESIGNED	CHECKED	DATE
mm	5 : 1					

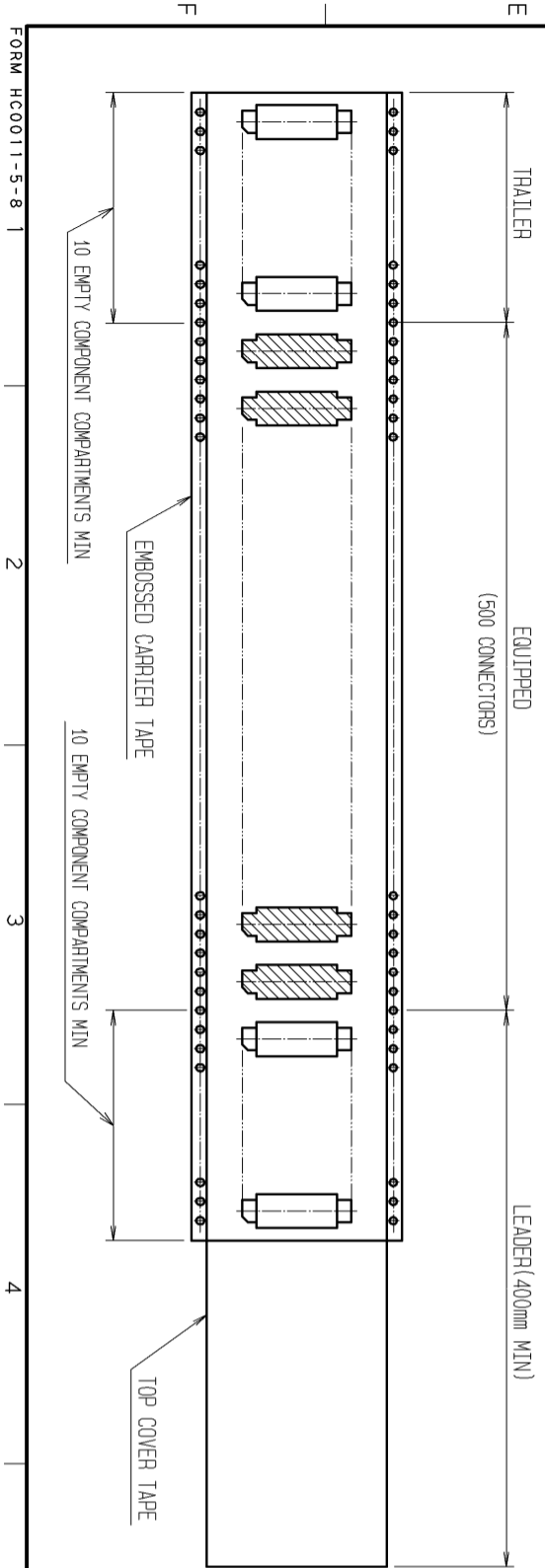
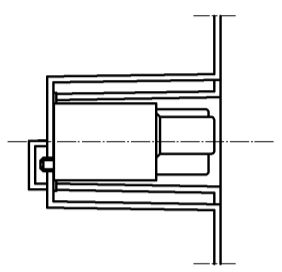
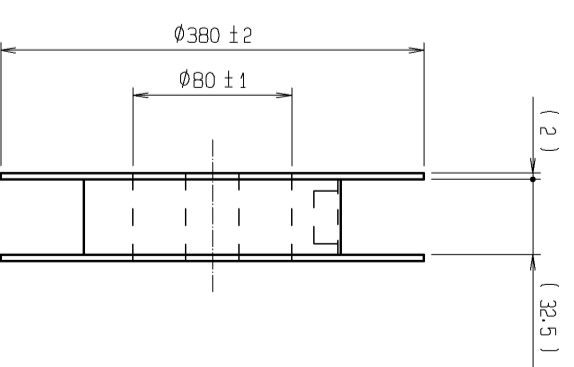
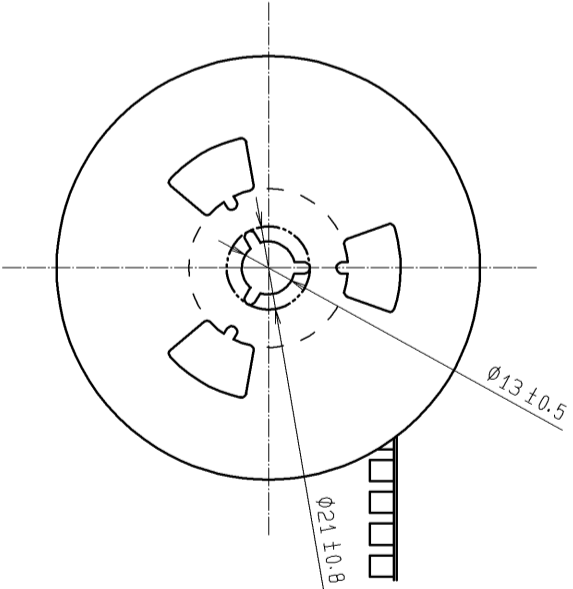
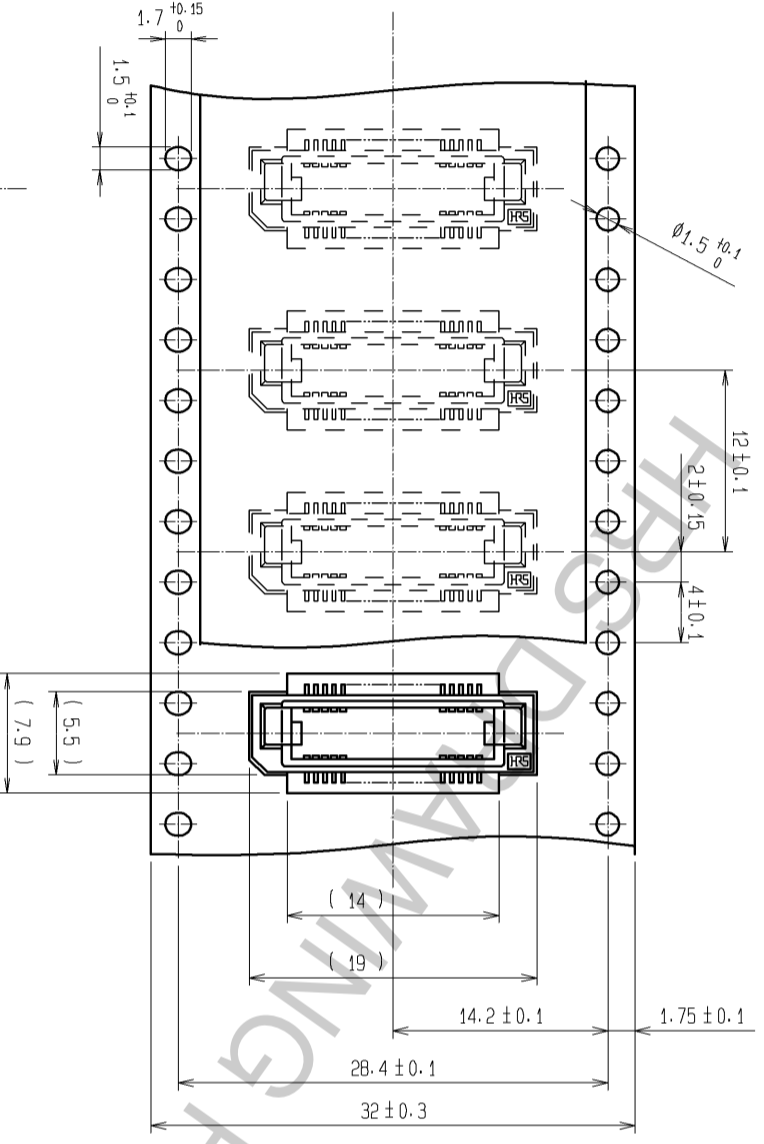
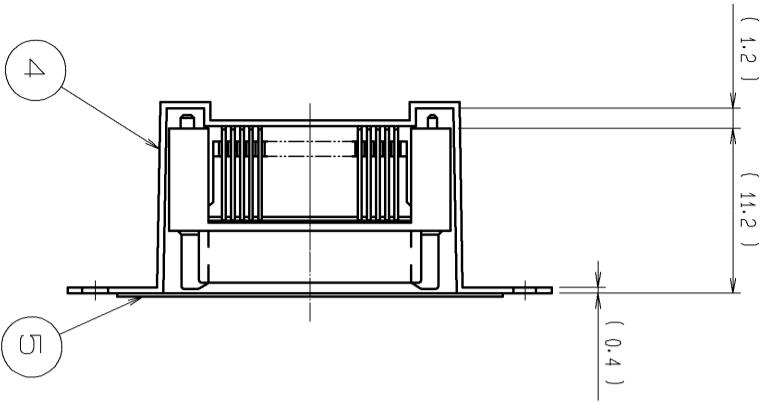
HRS		HIROSE ELECTRIC CO., LTD.	
APPROVED	: HS. OKAWA	09.11.13	DRAWING NO.
CHECKED	: HT. YAMAGUCHI	09.11.13	PART NO.
DESIGNED	: SY. KAMIGA	09.11.12	CODE NO.
DRAWN	: HK. SUNADORI	09.11.12	
		EDC3-151169-22	
		FX8C-40P-SV6(92)	
		CL578-0609-5-92	

EMBOSSED CARRIER TAPE DIMENSION(2:1)

UNREELING DIRECTION



REEL DIMENSION(FREE)



NOTE 1 1 REEL : 500 CONNECTORS
 2 THE DIMENSIONS IN PARENTHESES ARE FOR REFERENCE.

HRS	DRAWING NO.	EDC3-151169-22
	PART NO.	FX8C-40P-SV6(92)
	CODE NO.	CL578-0609-5-92

FORM HC0011-5-8