



Chipsmall Limited consists of a professional team with an average of over 10 year of expertise in the distribution of electronic components. Based in Hongkong, we have already established firm and mutual-benefit business relationships with customers from,Europe,America and south Asia,supplying obsolete and hard-to-find components to meet their specific needs.

With the principle of “Quality Parts,Customers Priority,Honest Operation,and Considerate Service”,our business mainly focus on the distribution of electronic components. Line cards we deal with include Microchip,ALPS,ROHM,Xilinx,Pulse,ON,Everlight and Freescale. Main products comprise IC,Modules,Potentiometer,IC Socket,Relay,Connector.Our parts cover such applications as commercial,industrial, and automotives areas.

We are looking forward to setting up business relationship with you and hope to provide you with the best service and solution. Let us make a better world for our industry!



Contact us

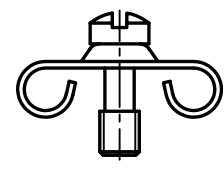
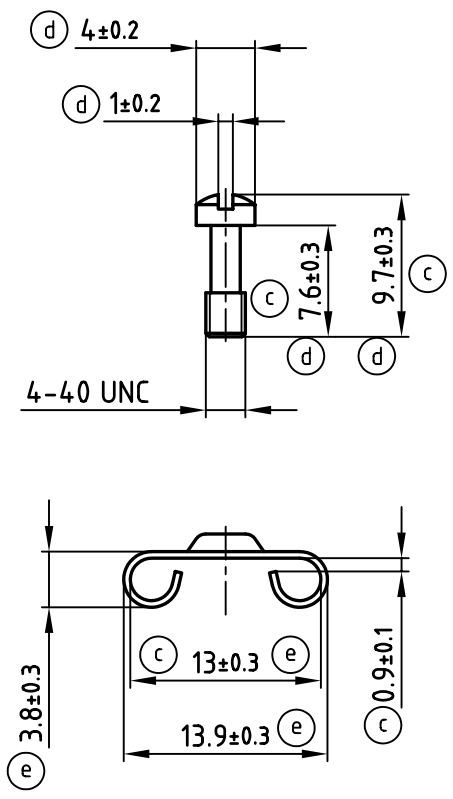
Tel: +86-755-8981 8866 Fax: +86-755-8427 6832

Email & Skype: info@chipsmall.com Web: www.chipsmall.com

Address: A1208, Overseas Decoration Building, #122 Zhenhua RD., Futian, Shenzhen, China



used for: D-SUB



1 SET CONSISTS OF :
2 CLAMPS
2 SCREWS

Directive 2002/95/EC
"RoHS"
Compliant

PART-NO.	BULK QUANTITY
160X10259X	1 SET
160X00949A	100 SETS

THIS DRAWING MAY NOT BE COPIED OR REPRODUCED IN ANY WAY, AND MAY NOT BE PASSED ON TO A THIRD PARTY WITHOUT WRITTEN PERMISSION.
OWNERSHIP AND COPYRIGHT OF CONEC GmbH
DO NOT ALTER CAD DRAWING BY HAND

tolerance				scale: 2:1	
2001	date	name		material: (b) (f) STEEL; NICKEL PLATED	
drawn	21.08.	Parei		title: CLAMP 9-37pos.	
1 x f	Ä 2441	10.02.2006	Lehmen	appd.	21.08. E. Mickenbecker
3 x e	Ä 2228	11.05.2005	HS	norm	
5 x d	Ä 2210	21.04.2005	HS	d-old	
4 x c	Ä 2156	04.02.2005	Lehmen		
2 x b	Ä 1819	16.07.2003	Lehmen		
rev.	description	date	name		

dwg no:	AutoCAD 2000	DIN-A
16K1A274A		(d) 4
part no: SEE TABLE		sh:1/2

F
E
D
C
B
A

F
E
D
C
B
A

4 3 2 1

4 3 2 1

4

3

2

1

used for: D-SUB

F

F

E

E

D

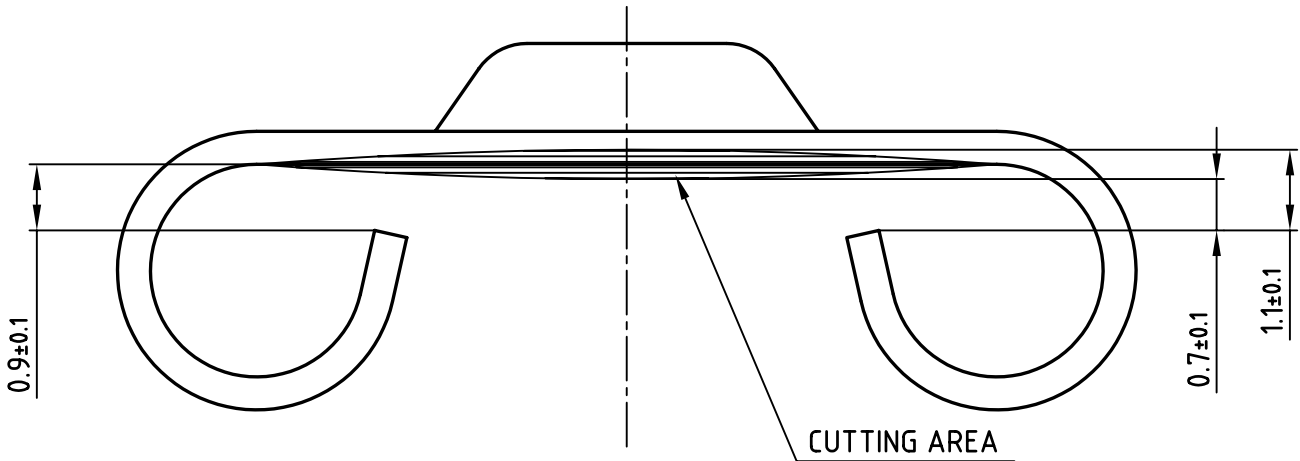
D

C

C

B

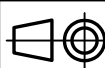
B



THIS DRAWING MAY NOT BE COPIED OR REPRODUCED IN ANY WAY, AND MAY NOT BE PASSED ON TO A THIRD PARTY WITHOUT WRITTEN PERMISSION.
 OWNERSHIP AND COPYRIGHT OF CONEC GmbH
 DO NOT ALTER CAD DRAWING BY HAND

				2005	date	name
				drawn	21.04.	Schmidt
				appd.	21.04.	Labus
				norm		
				d-old		
1x d	Ä 2210	21.04.2005	HS			
rev.	description	date	name			

tolerance



scale: 10:1
 material: SEE SHEET 1

title:
CLAMP
 9-37pos.

dwg no: AutoCAD 2004
 16K1A274A
 DIN-A 4 (d)
 sh:2/2

part no: SEE SHEET 1

4

3

2

1

A

A