



Chipsmall Limited consists of a professional team with an average of over 10 year of expertise in the distribution of electronic components. Based in Hongkong, we have already established firm and mutual-benefit business relationships with customers from,Europe,America and south Asia,supplying obsolete and hard-to-find components to meet their specific needs.

With the principle of "Quality Parts,Customers Priority,Honest Operation,and Considerate Service",our business mainly focus on the distribution of electronic components. Line cards we deal with include Microchip,ALPS,ROHM,Xilinx,Pulse,ON,Everlight and Freescale. Main products comprise IC,Modules,Potentiometer,IC Socket,Relay,Connector.Our parts cover such applications as commercial,industrial, and automotives areas.

We are looking forward to setting up business relationship with you and hope to provide you with the best service and solution. Let us make a better world for our industry!



Contact us

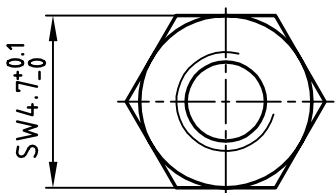
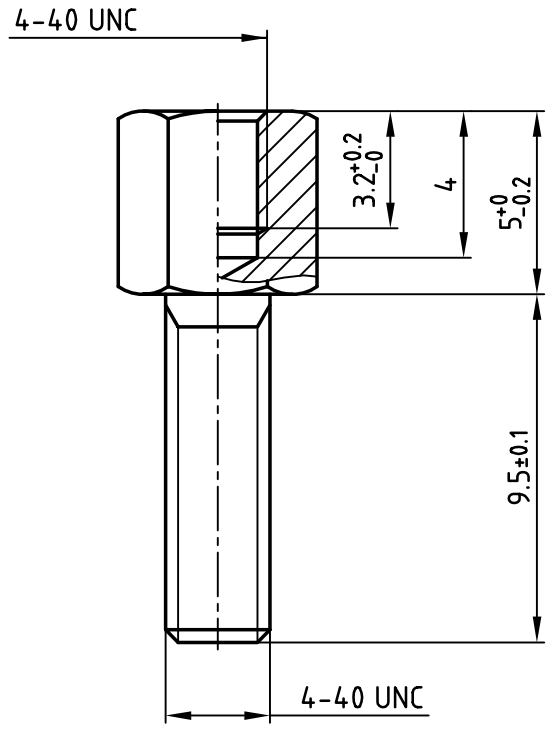
Tel: +86-755-8981 8866 Fax: +86-755-8427 6832

Email & Skype: info@chipsmall.com Web: www.chipsmall.com

Address: A1208, Overseas Decoration Building, #122 Zhenhua RD., Futian, Shenzhen, China



used for:



Part-No.
160X10269X-S5
160X00699A

Notes:

1. Part is splint and burrfree
2. Threaded core dimension 4-40 UNC: 2.257±0.1
3. Test equipment measurement: 4-40 UNC-2B (thread inner)
4-40 UNC-2A (thread outer)

THIS DRAWING MAY NOT BE COPIED OR REPRODUCED IN ANY WAY, AND MAY NOT BE PASSED ON TO A THIRD PARTY WITHOUT WRITTEN PERMISSION.
 OWNERSHIP AND COPYRIGHT OF CONEC GmbH
 DO NOT ALTER CAD DRAWING BY HAND

			tolerance ISO 2768-m			scale: 5:1
			2002	date	name	material: STAINLESS STEEL
			drawn	03.07.	Schmidt	title: HEX BOLT 4-40 UNC / 4-40 UNC 14.5 mm long
			appd.	03.07.	Mickenbecker	
			norm			
			d-old			
rev.	description	date	name			dwg no: CAD/ 2000
						DIN-A 4
				product no: 740FEL0A		sh: 1/1
				product no: SEE TABLE		

title: HEX BOLT 4-40 UNC / 4-40 UNC 14.5 mm long	
dwg no: CAD/ 2000	DIN-A 4
product no: 740FEL0A	
product no: SEE TABLE	