



Chipsmall Limited consists of a professional team with an average of over 10 year of expertise in the distribution of electronic components. Based in Hongkong, we have already established firm and mutual-benefit business relationships with customers from,Europe,America and south Asia,supplying obsolete and hard-to-find components to meet their specific needs.

With the principle of “Quality Parts,Customers Priority,Honest Operation,and Considerate Service”,our business mainly focus on the distribution of electronic components. Line cards we deal with include Microchip,ALPS,ROHM,Xilinx,Pulse,ON,Everlight and Freescale. Main products comprise IC,Modules,Potentiometer,IC Socket,Relay,Connector.Our parts cover such applications as commercial,industrial, and automotives areas.

We are looking forward to setting up business relationship with you and hope to provide you with the best service and solution. Let us make a better world for our industry!



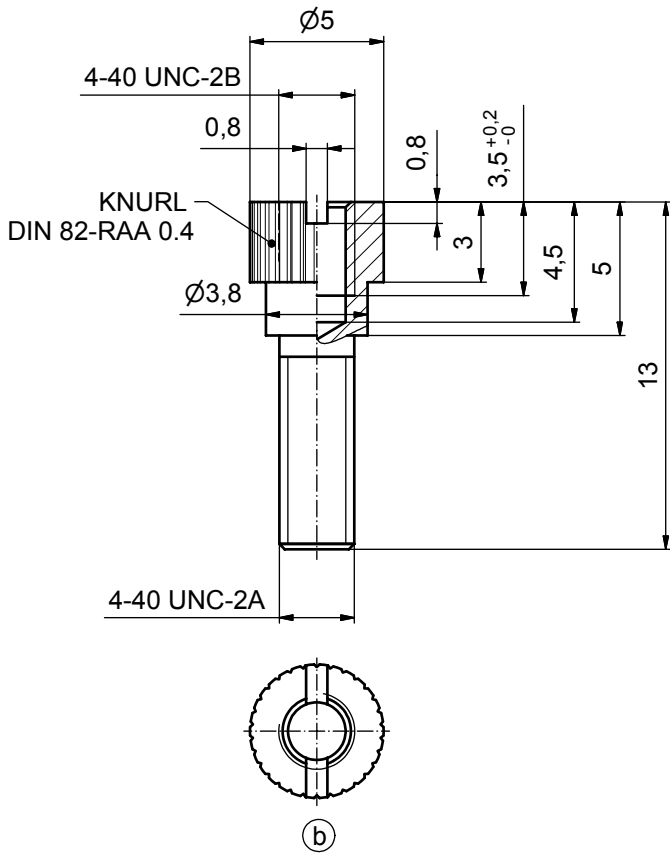
Contact us

Tel: +86-755-8981 8866 Fax: +86-755-8427 6832

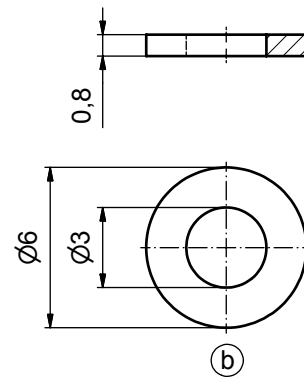
Email & Skype: info@chipsmall.com Web: www.chipsmall.com

Address: A1208, Overseas Decoration Building, #122 Zhenhua RD., Futian, Shenzhen, China

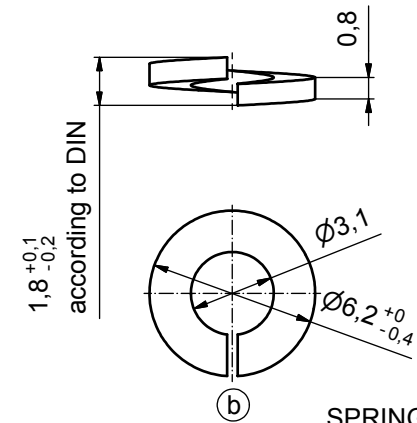




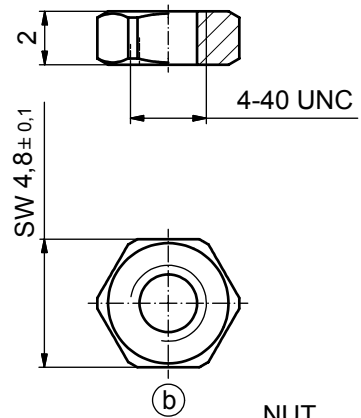
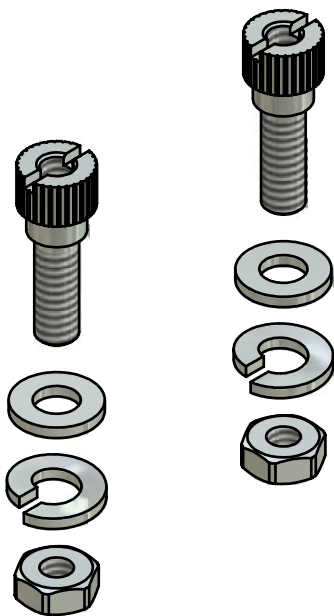
SCREW LOCKING
Cu Zn, Nickel plated



WASHER
Steel, Nickel plated



SPRING RING
Steel, Nickel plated



NUT
Steel, Nickel plated

1 SET CONSISTS OF:

- 2 SCREWS
- 2 WASHERS
- 2 SPRING RINGS
- 2 NUTS



APPROVAL # FREIGABE # DEBLOCAGE # AUTORIZACION # APPROVAL	
CUSTOMER APPROVAL DATE:	
NAME:	TITLE:
COMPANY NAME:	
APPROVAL # FREIGABE # DEBLOCAGE # AUTORIZACION # APPROVAL	

THIS DRAWING MAY NOT BE COPIED OR REPRODUCED IN ANY WAY, AND MAY NOT BE PASSED ON TO A THIRD PARTY WITHOUT WRITTEN PERMISSION. OWNERSHIP AND COPYRIGHT OF CONEC GmbH			
DO NOT ALTER CAD DRAWING BY HAND			
4 x b	A 3351	28.04.09	Lehm.
a	Origin		
rev.	description	date	name

tolerance	
dim. in mm	
drawn	02.02.06 Lehmenkühler
appd.	02.02.06 Mickenbecker
norm	
d-old	

scale:	5:1	
material:	SEE DRAWING	
title:	SCREW LOCKING Bolt set packed	
dwg no:	Inventor 10	DIN-A3
	16K1A1723	sh: 1
part no:	160X10329X	

