



Chipsmall Limited consists of a professional team with an average of over 10 year of expertise in the distribution of electronic components. Based in Hongkong, we have already established firm and mutual-benefit business relationships with customers from,Europe,America and south Asia,supplying obsolete and hard-to-find components to meet their specific needs.

With the principle of “Quality Parts,Customers Priority,Honest Operation,and Considerate Service”,our business mainly focus on the distribution of electronic components. Line cards we deal with include Microchip,ALPS,ROHM,Xilinx,Pulse,ON,Everlight and Freescale. Main products comprise IC,Modules,Potentiometer,IC Socket,Relay,Connector.Our parts cover such applications as commercial,industrial, and automotives areas.

We are looking forward to setting up business relationship with you and hope to provide you with the best service and solution. Let us make a better world for our industry!



Contact us

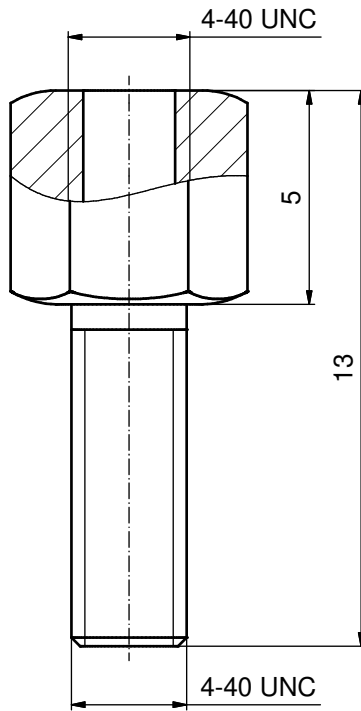
Tel: +86-755-8981 8866 Fax: +86-755-8427 6832

Email & Skype: info@chipsmall.com Web: www.chipsmall.com

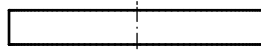
Address: A1208, Overseas Decoration Building, #122 Zhenhua RD., Futian, Shenzhen, China



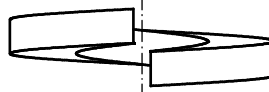
SCREW
4-40 UNC / 4-40 UNC x 13



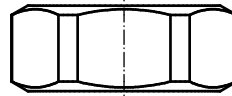
WASHER
ø6 / ø3 x 0.8



SPRING RING
DIN127 A3

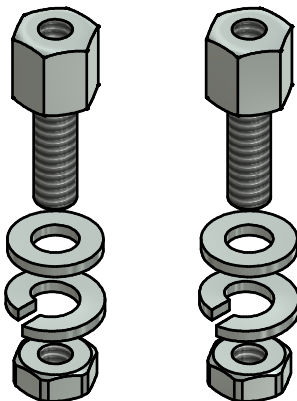


NUT 4-40 UNC
SW 4,8 x 2



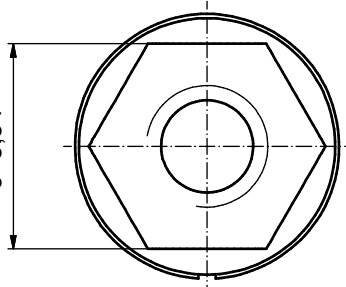
A SET CONSISTS OF:

- 2 SCREWS
- 2 WASHERS
- 2 SPRING RINGS
- 2 NUTS



Directive 2002/95/EC RoHS compliant

SW 4,8
e=5,54



ⓑ

NOTES:

1. SCREW: STEEL; NICKEL PLATED
2. WASHER: STEEL; NICKEL PLATED
3. SPRING RING: STEEL; NICKEL PLATED
4. NUT: STEEL; NICKEL PLATED

THIS DRAWING MAY NOT BE COPIED OR REPRODUCED IN ANY WAY, AND MAY NOT BE PASSED ON TO A THIRD PARTY WITHOUT WRITTEN PERMISSION. OWNERSHIP AND COPYRIGHT OF CONEC GmbH DO NOT ALTER CAD DRAWING BY HAND	finish:	SEE NOTES	tolerance		dim. in mm	scale:	8:1	
				date	name	material:	SEE NOTES	
				drawn	22.03.01	Parei	title: SCREW LOCKING Type 1 / 4-40 UNC / 13mm	
				appd.	22.03.01	E.Mickenbecker		
				norm				
			d-old			dwg no:		
2 x b	Ä4522	31.10.12	Lehm.	CONEC ®			DIN-A3	
a	Original						16K1A166A	sh: 1
rev.	description	date	name			part no:	160X10359X	