



Chipsmall Limited consists of a professional team with an average of over 10 year of expertise in the distribution of electronic components. Based in Hongkong, we have already established firm and mutual-benefit business relationships with customers from,Europe,America and south Asia,supplying obsolete and hard-to-find components to meet their specific needs.

With the principle of “Quality Parts,Customers Priority,Honest Operation,and Considerate Service”,our business mainly focus on the distribution of electronic components. Line cards we deal with include Microchip,ALPS,ROHM,Xilinx,Pulse,ON,Everlight and Freescale. Main products comprise IC,Modules,Potentiometer,IC Socket,Relay,Connector.Our parts cover such applications as commercial,industrial, and automotives areas.

We are looking forward to setting up business relationship with you and hope to provide you with the best service and solution. Let us make a better world for our industry!



Contact us

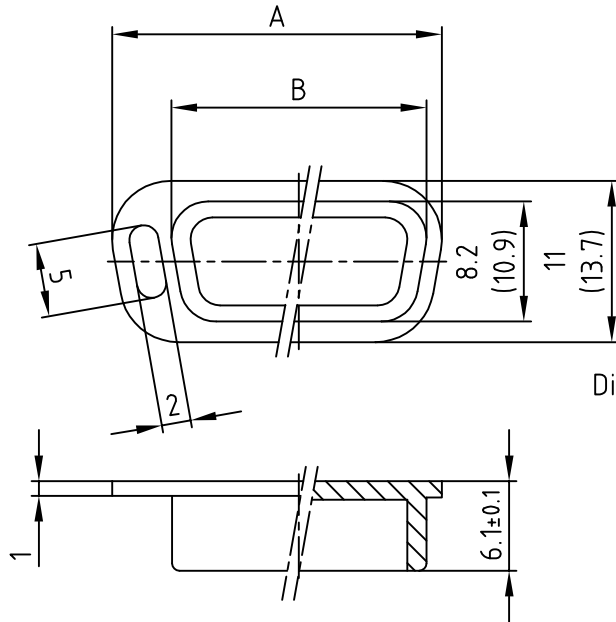
Tel: +86-755-8981 8866 Fax: +86-755-8427 6832

Email & Skype: info@chipsmall.com Web: www.chipsmall.com

Address: A1208, Overseas Decoration Building, #122 Zhenhua RD., Futian, Shenzhen, China



used for: D-SUB



Dimensions in (---) = 50pos.

No. of pos.	A	B	PART-NO.
9	22.5	16.9	160X10409X
15	30.65	25.05	160X10419X
25	44.4	38.8	160X10429X
37	60.75	55.15	160X10439X
50	58.15	52.55	160X10969X

Directive 2011/65/EU RoHS compliant

THIS DRAWING MAY NOT BE COPIED OR REPRODUCED IN ANY WAY, AND MAY NOT BE PASSED ON TO A THIRD PARTY WITHOUT WRITTEN PERMISSION.
OWNERSHIP AND COPYRIGHT OF CONEC GmbH
DO NOT ALTER CAD DRAWING BY HAND

tolerance			
2002	date	name	
drawn	07.05.	Schmidt	
appd.	07.05.	Mickenbecker	
norm			
d-old			
1 x b	Ä6491	30.01.2017	E.Mick.
rev.	description	date	name



scale:	2:1	
material:	ⓑ PP UL 94 V-0 black	
title:	PLASTIC DUST CAP for all D-Subminiature sizes 9 - 50 pos. for plug connector	
dwg no:	CAD/ 2000	DIN-A
	16K1A680	4
product no:	SEE TABLE	
		sh: 1/1