



Chipsmall Limited consists of a professional team with an average of over 10 year of expertise in the distribution of electronic components. Based in Hongkong, we have already established firm and mutual-benefit business relationships with customers from,Europe,America and south Asia,supplying obsolete and hard-to-find components to meet their specific needs.

With the principle of “Quality Parts,Customers Priority,Honest Operation,and Considerate Service”,our business mainly focus on the distribution of electronic components. Line cards we deal with include Microchip,ALPS,ROHM,Xilinx,Pulse,ON,Everlight and Freescale. Main products comprise IC,Modules,Potentiometer,IC Socket,Relay,Connector.Our parts cover such applications as commercial,industrial, and automotives areas.

We are looking forward to setting up business relationship with you and hope to provide you with the best service and solution. Let us make a better world for our industry!



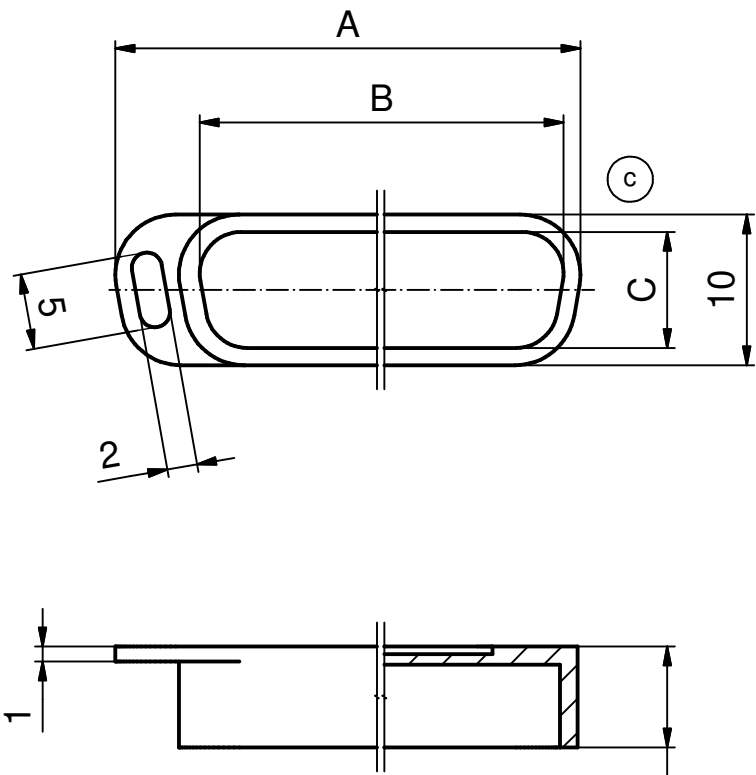
Contact us

Tel: +86-755-8981 8866 Fax: +86-755-8427 6832

Email & Skype: info@chipsmall.com Web: www.chipsmall.com

Address: A1208, Overseas Decoration Building, #122 Zhenhua RD., Futian, Shenzhen, China

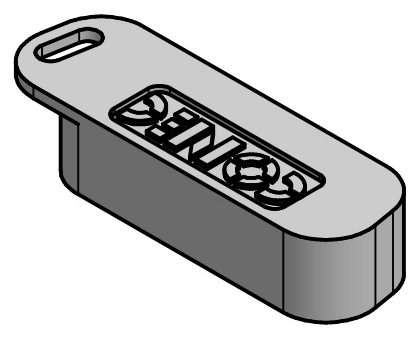




(b)
 TO PREVENT DAMAGE AT LOW TEMPERATURES NO
 IMPACT OR EXTREM MECHANICAL LOAD SHOULD
 APPLIED TO THE CAP:
 MECHANICAL LOAD SHOULD BE APPLIED ABOVE 0°C

POS.	A	B	C	Part No.
9	22,9	16,5	7,9	160X10449X
15	31,4	24,7	7,7	160X10459X
25	44,5	38,0	7,9	160X10469X
37	60,6	54,5	7,7	160X10479X

Directive 2002/95/EC
 „RoHS“
 Compliant



(b)
 NOTES:
 1. MATERIAL: TPE, BLACK
 2. TEMPERATURE RANGE: -30°C - +80°C

THIS DRAWING MAY NOT BE COPIED OR
 REPRODUCED IN ANY WAY, AND MAY NOT
 BE PASSED ON TO A THIRD PARTY WITHOUT
 WRITTEN PERMISSION.
 OWNERSHIP AND COPYRIGHT OF CONEC GmbH

DO NOT ALTER CAD DRAWING BY HAND

				tolerance DIN 16901 - 150	dim. in mm
				date	name
				drawn 18.07.1995	Barcinski
				appd. 18.07.1995	Mickenbecker
				norm	
5 x c	Ä3569	05.02.2010	K.H.	d-old	
3 x b	Ä2150	17.01.2005	Lehmen		
a	Origin				
rev.	description	date	name		

scale:	2:1	
material:	(b)	SEE NOTES
title:	DUST CAP for socket connector 9 - 37 pos.	
dwg no:	Inventor 10 (c)	DIN-A4
	16V1M5A	sh: 1
part no:	SEE TABLE	