



Chipsmall Limited consists of a professional team with an average of over 10 year of expertise in the distribution of electronic components. Based in Hongkong, we have already established firm and mutual-benefit business relationships with customers from,Europe,America and south Asia,supplying obsolete and hard-to-find components to meet their specific needs.

With the principle of “Quality Parts,Customers Priority,Honest Operation,and Considerate Service”,our business mainly focus on the distribution of electronic components. Line cards we deal with include Microchip,ALPS,ROHM,Xilinx,Pulse,ON,Everlight and Freescale. Main products comprise IC,Modules,Potentiometer,IC Socket,Relay,Connector.Our parts cover such applications as commercial,industrial, and automotives areas.

We are looking forward to setting up business relationship with you and hope to provide you with the best service and solution. Let us make a better world for our industry!



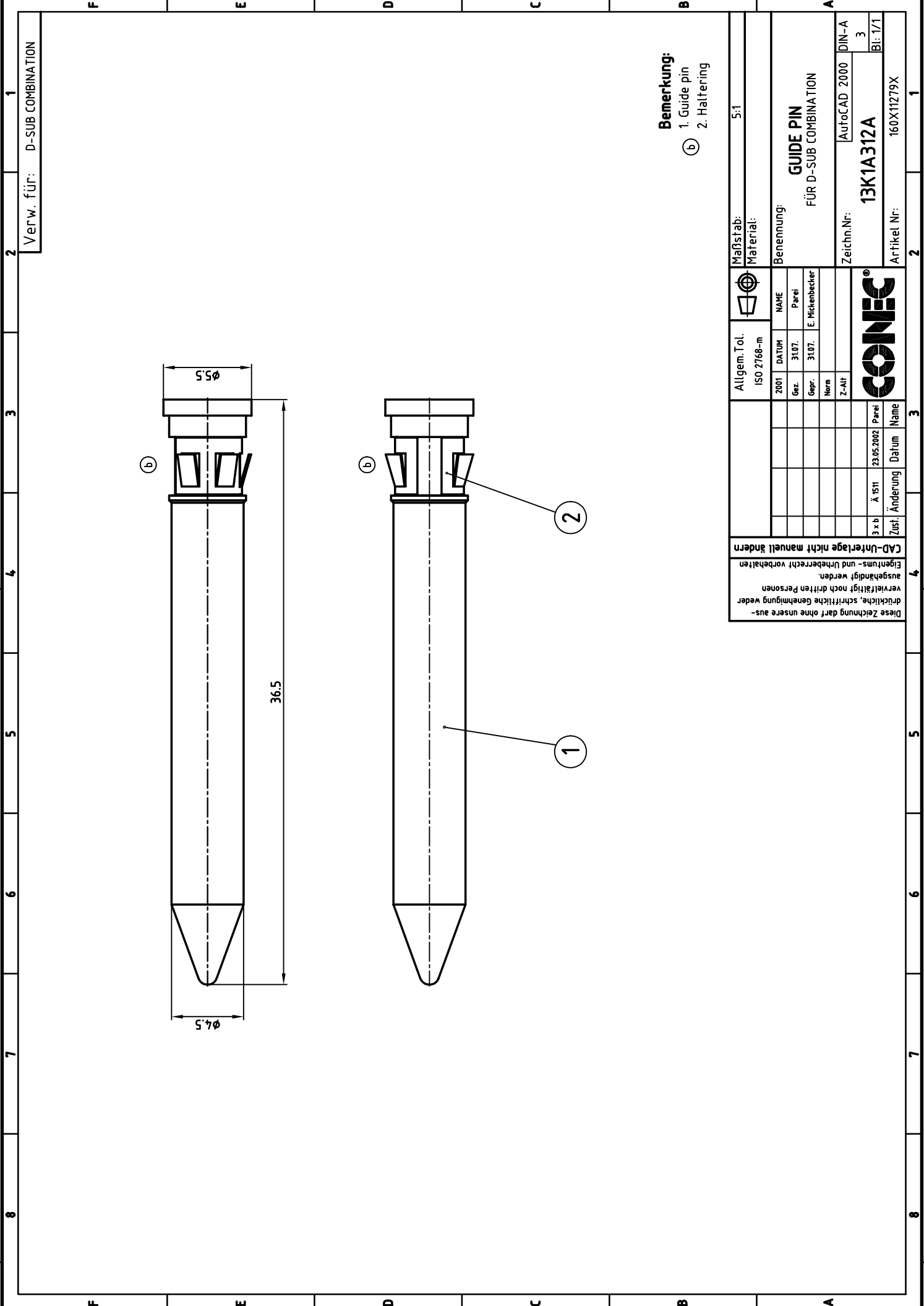
Contact us

Tel: +86-755-8981 8866 Fax: +86-755-8427 6832

Email & Skype: info@chipsmall.com Web: www.chipsmall.com

Address: A1208, Overseas Decoration Building, #122 Zhenhua RD., Futian, Shenzhen, China





Verw. für: D-SUB COMBINATION

Bemerkung:
 1. Guide pin
 2. Haltering

Allgem. Tol. ISO 2768-m		Maßstab: 5:1											
2001	DATUM	Material:											
Gez.	3107.	Benennung: GUIDE PIN FÜR D-SUB COMBINATION											
Gepr.	3107.	Zeichn.Nr.: AutoCAD 2000 13K1A312A DIN-A 3											
Norm		Bl.: 1/1											
Z-Akt		Artikel Nr.: 160X11279X											
<table border="1"> <tr> <th>Ä</th> <th>1511</th> <th>23.05.2002</th> <th>Paral</th> <th>Name</th> </tr> <tr> <td>Zust.</td> <td>Änderung</td> <td>Datum</td> <td>Name</td> <td></td> </tr> </table>		Ä	1511	23.05.2002	Paral	Name	Zust.	Änderung	Datum	Name			
Ä	1511	23.05.2002	Paral	Name									
Zust.	Änderung	Datum	Name										
<p>drückliche, schriftliche Genehmigung weder ausgehändig werden Eigentums- und Urheberrecht vorbehalten CAD-Unterlage nicht manuell ändern</p>													