



Chipsmall Limited consists of a professional team with an average of over 10 year of expertise in the distribution of electronic components. Based in Hongkong, we have already established firm and mutual-benefit business relationships with customers from,Europe,America and south Asia,supplying obsolete and hard-to-find components to meet their specific needs.

With the principle of “Quality Parts,Customers Priority,Honest Operation,and Considerate Service”,our business mainly focus on the distribution of electronic components. Line cards we deal with include Microchip,ALPS,ROHM,Xilinx,Pulse,ON,Everlight and Freescale. Main products comprise IC,Modules,Potentiometer,IC Socket,Relay,Connector.Our parts cover such applications as commercial,industrial, and automotives areas.

We are looking forward to setting up business relationship with you and hope to provide you with the best service and solution. Let us make a better world for our industry!



Contact us

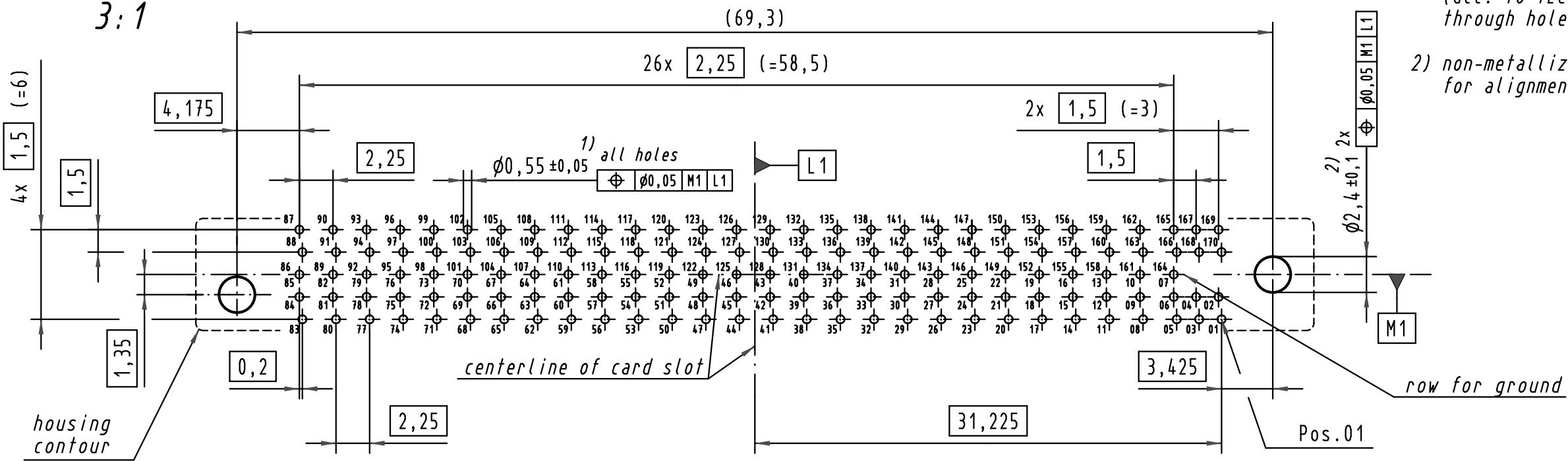
Tel: +86-755-8981 8866 Fax: +86-755-8427 6832

Email & Skype: info@chipsmall.com Web: www.chipsmall.com

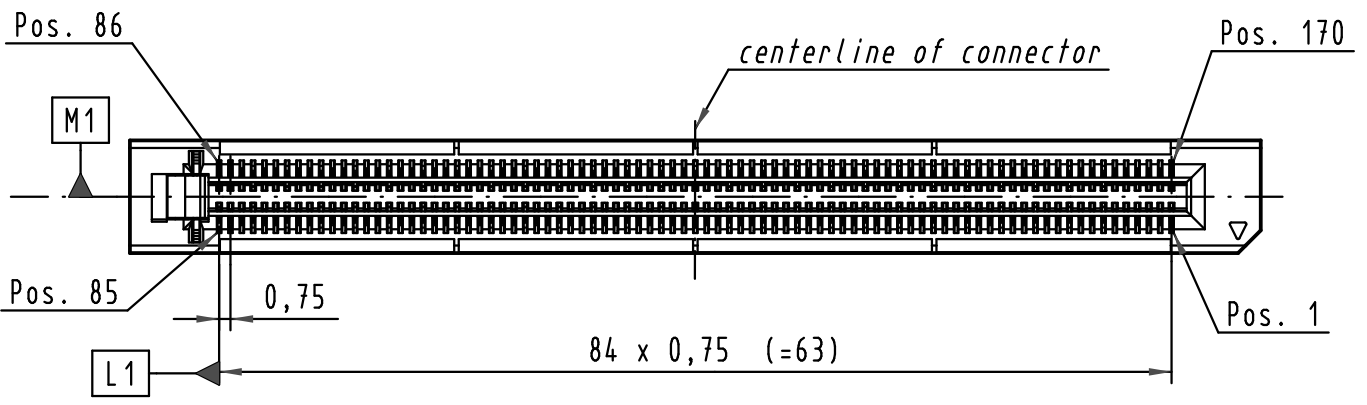
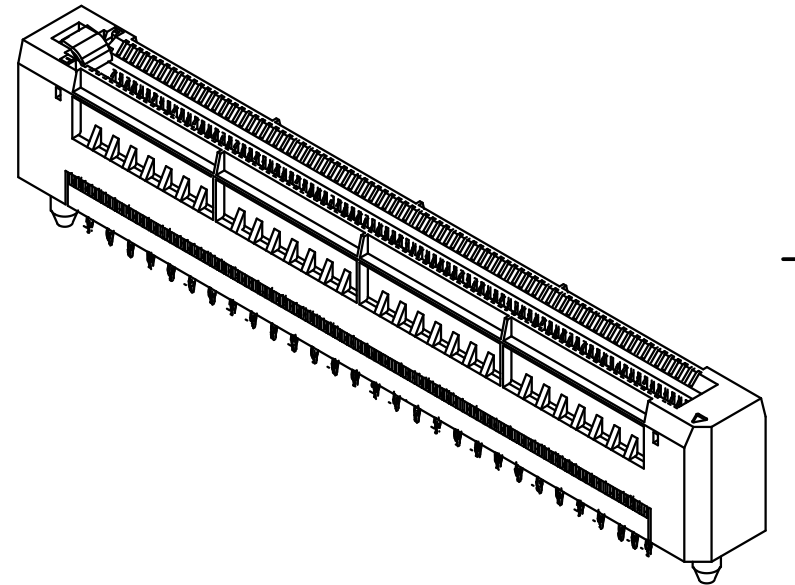
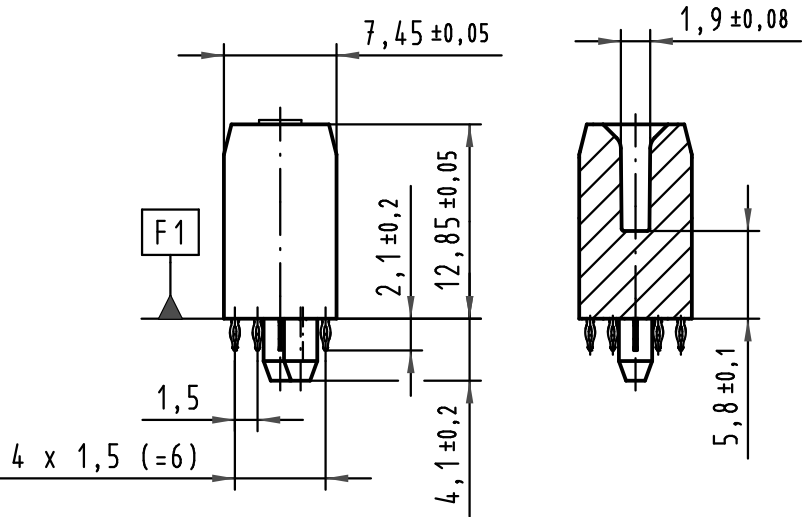
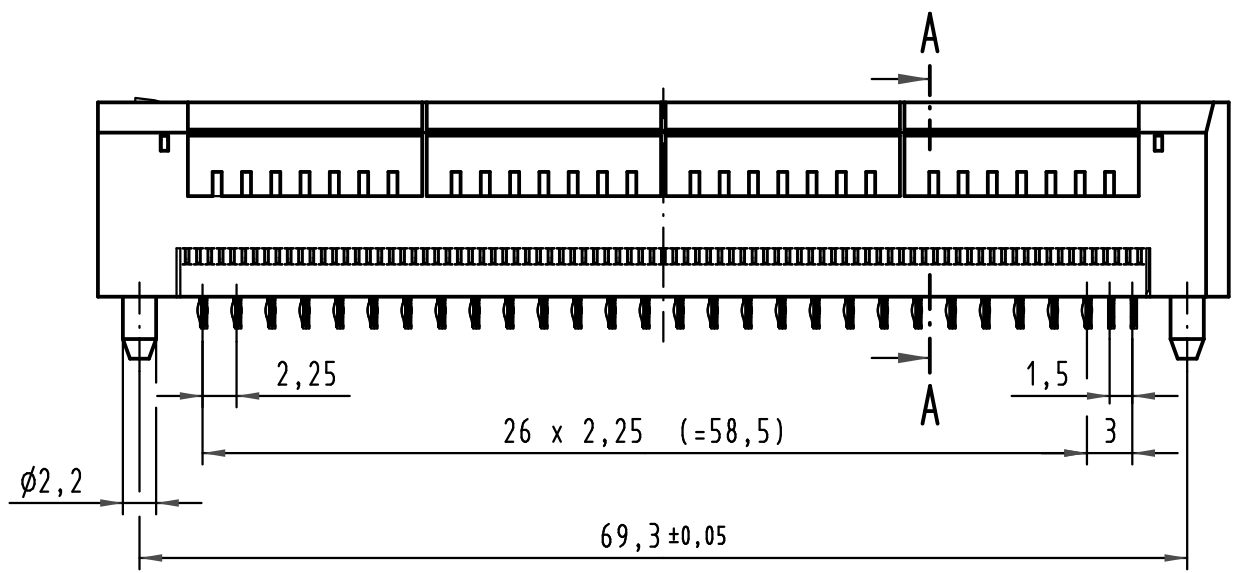
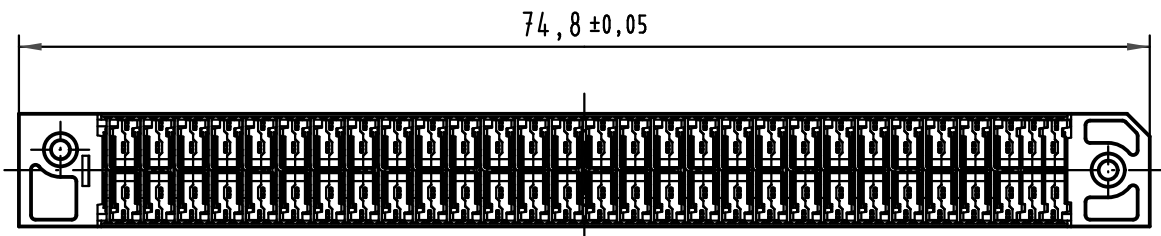
Address: A1208, Overseas Decoration Building, #122 Zhenhua RD., Futian, Shenzhen, China



Board Layout 3:1



- 1) recommended drill hole $\phi 0,64 \pm 0,01\text{mm}$ (acc. to IEC 60352-5) through hole dia. (after plating): $\phi 0,55 \pm 0,05$
- 2) non-metallized drillings for alignment pegs



missing dimensions and information acc. to PICMG MicroTCA.0
(Micro Telecommunications Computing Architecture Base Specification)



All Dimensions in mm Original Size DIN A 3	Techn. Character.			Nicht tolerierte Maß/Free size tolerances	
	Dat.	Name	Maßstab/Scale	AdvancedMC connector for MicroTCA 170 pole, press-fit with alignment pegs	
Detail.	25.09.09 hsv	2:1			
Insp.	25.09.09 Lue.		3:1		
Stand.			TB 16 11 170 5206 000		Blatt/page
35928	HARTING Electronics GmbH & Co. KG				
Mod.	Dat.	Name	D-32339 ESPELKAMP		

Alle Rechte vorbehalten. All rights reserved