



Chipsmall Limited consists of a professional team with an average of over 10 year of expertise in the distribution of electronic components. Based in Hongkong, we have already established firm and mutual-benefit business relationships with customers from,Europe,America and south Asia,supplying obsolete and hard-to-find components to meet their specific needs.

With the principle of “Quality Parts,Customers Priority,Honest Operation,and Considerate Service”,our business mainly focus on the distribution of electronic components. Line cards we deal with include Microchip,ALPS,ROHM,Xilinx,Pulse,ON,Everlight and Freescale. Main products comprise IC,Modules,Potentiometer,IC Socket,Relay,Connector.Our parts cover such applications as commercial,industrial, and automotives areas.

We are looking forward to setting up business relationship with you and hope to provide you with the best service and solution. Let us make a better world for our industry!



Contact us

Tel: +86-755-8981 8866 Fax: +86-755-8427 6832

Email & Skype: info@chipsmall.com Web: www.chipsmall.com

Address: A1208, Overseas Decoration Building, #122 Zhenhua RD., Futian, Shenzhen, China



KNOB LOCK (PLASTIC)



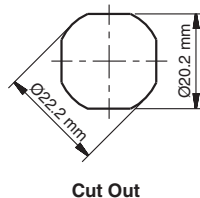
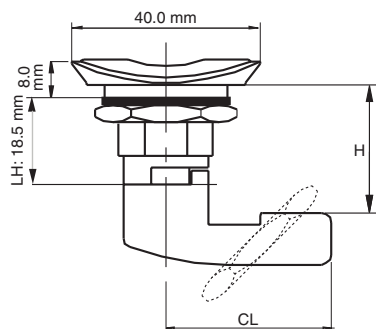
*Example with cam. Cam sold separately.

Specifications

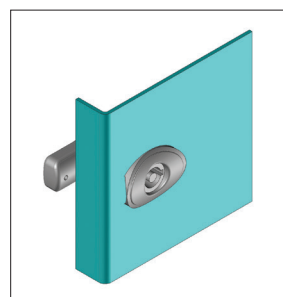
- Material:
 - Housing: Polyamide DIN-EN ISO 1043-1 PA6 GFR 30
 - Driver: Zinc Alloy (Zamak) or PA6 GFR 30
 - Nut: Zinc Alloy (Zamak) or PA6 GFR 30
 - Cam: Steel or Plastic

Features

- Designed to act as a knob
- Applications: Electric panels, machinery covers



Cut Out



Driver/Head Style



3mm Double Bit

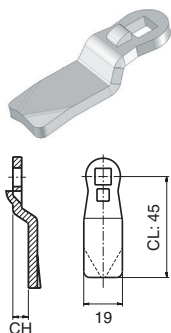


Slot (2x4)

Item Number		Zinc Alloy / Chrome	Zinc Alloy / Black	Nylon / Black	Driver	Cam
060111300	060121300	-	-	060201300	3mm Double Bit	Select Cam Below
-	-	-	-	060204200	Slot (2x4)	Select Cam Below

Item Number	Housing	Driver Material	Driver	Cam
16120124200	Nylon	Zinc Alloy (Zamak)	Slot (2x4)	Select Cam Below
16120201300	Nylon	Nylon	3mm Double Bit	Select Cam Below
16120204200	Nylon	Nylon	Slot (2x4)	Select Cam Below

Steel Cam

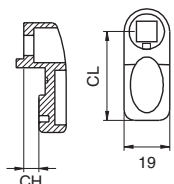


Material: Steel
Finish: Zinc plated
Thickness: 4 mm

Item Number	CH (mm)	CL (mm)	H (mm)
30403033	0	45	18.5
30403439	1	45	19.5
30403159	2	45	20.5
30403063	3	45	21.5
30403149	4	45	22.5
30403160	6	45	24.5
30403161	8	45	26.5
30403162	10	45	28.5
30403045	12	45	30.5
30403163	14	45	32.5
30403151	16	45	34.5
30403165	18	45	36.5

Item Number	CH (mm)	CL (mm)	H (mm)
30403166	20	45	38.5
30403167	22	45	40.5
30403168	24	45	42.5
30403169	-2	45	16.5
30403170	-4	45	14.5
30403171	-6	45	12.5
30403172	-8	45	10.5
30403173	-10	45	8.5
30403174	-12	45	6.5
30403175	-14	45	4.5

Nylon Cam



Item Number	CH (mm)	CL (mm)	H (mm)
30402004	0	35	18.5
30402011	0	25	18.5
30402005	6	35	24.5
30402008	4	45	22.5
30402013	-4	45	14.5