



Chipsmall Limited consists of a professional team with an average of over 10 year of expertise in the distribution of electronic components. Based in Hongkong, we have already established firm and mutual-benefit business relationships with customers from,Europe,America and south Asia,supplying obsolete and hard-to-find components to meet their specific needs.

With the principle of “Quality Parts,Customers Priority,Honest Operation,and Considerate Service”,our business mainly focus on the distribution of electronic components. Line cards we deal with include Microchip,ALPS,ROHM,Xilinx,Pulse,ON,Everlight and Freescale. Main products comprise IC,Modules,Potentiometer,IC Socket,Relay,Connector.Our parts cover such applications as commercial,industrial, and automotives areas.

We are looking forward to setting up business relationship with you and hope to provide you with the best service and solution. Let us make a better world for our industry!



Contact us

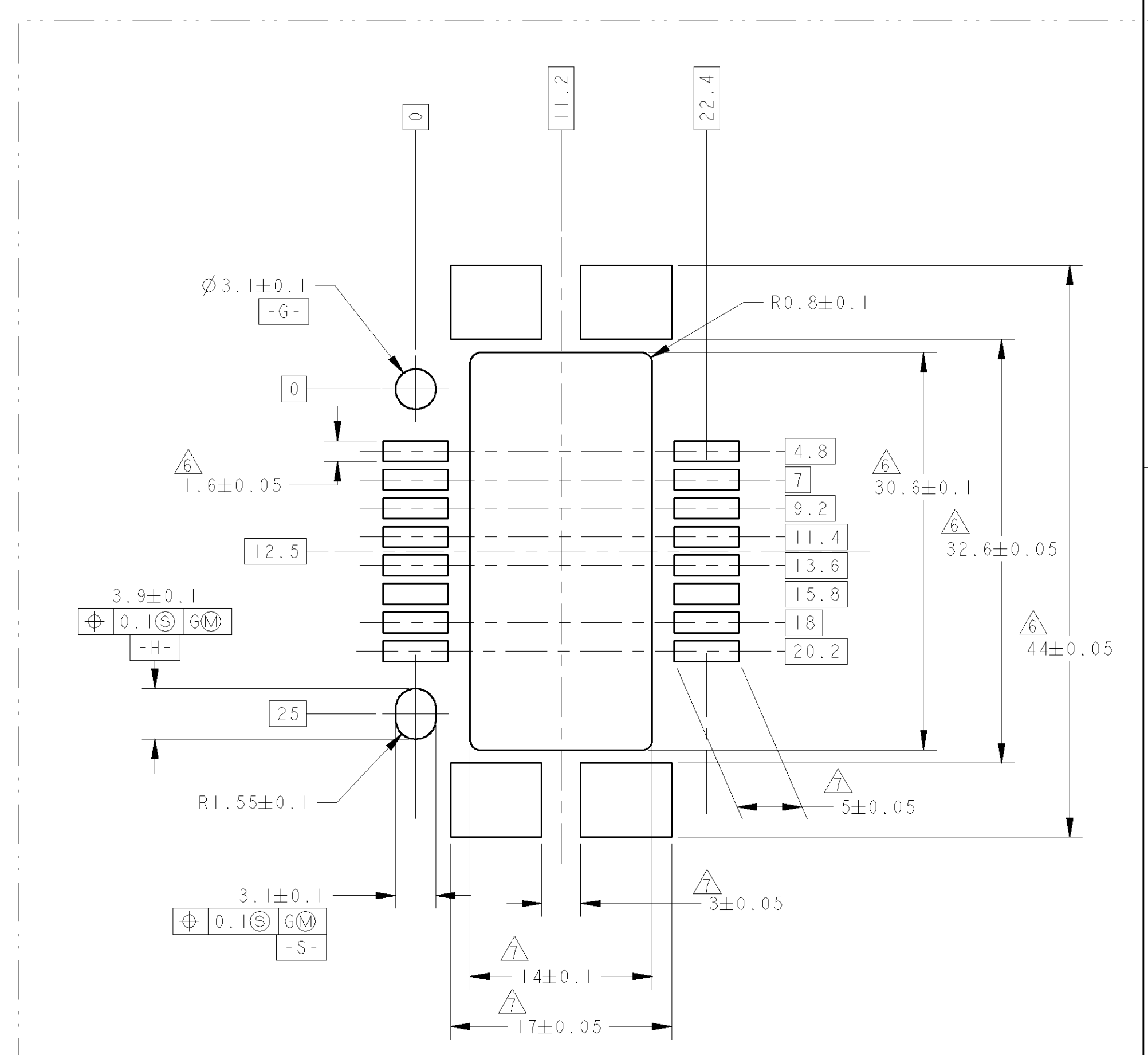
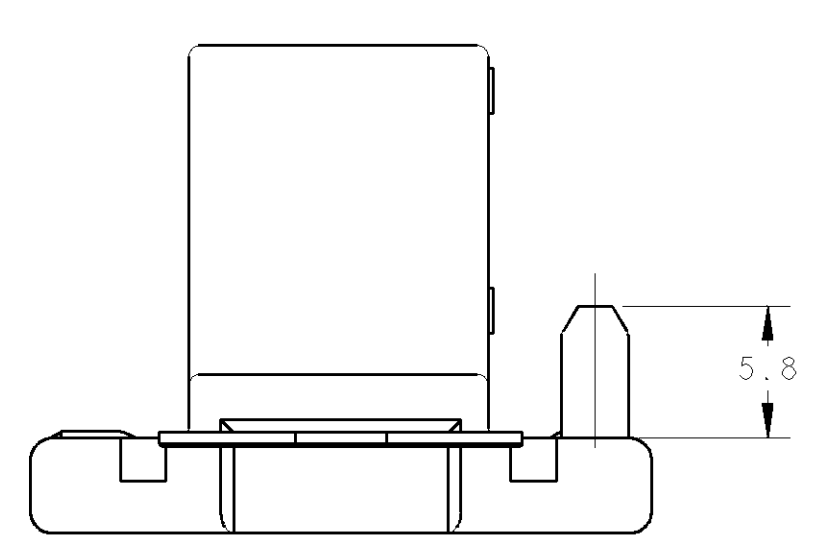
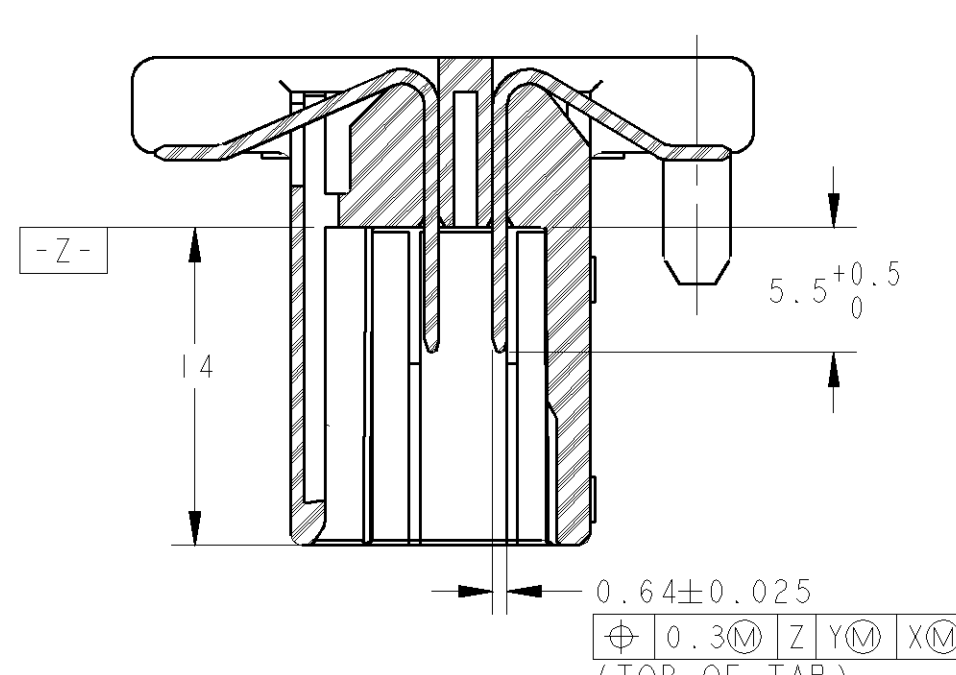
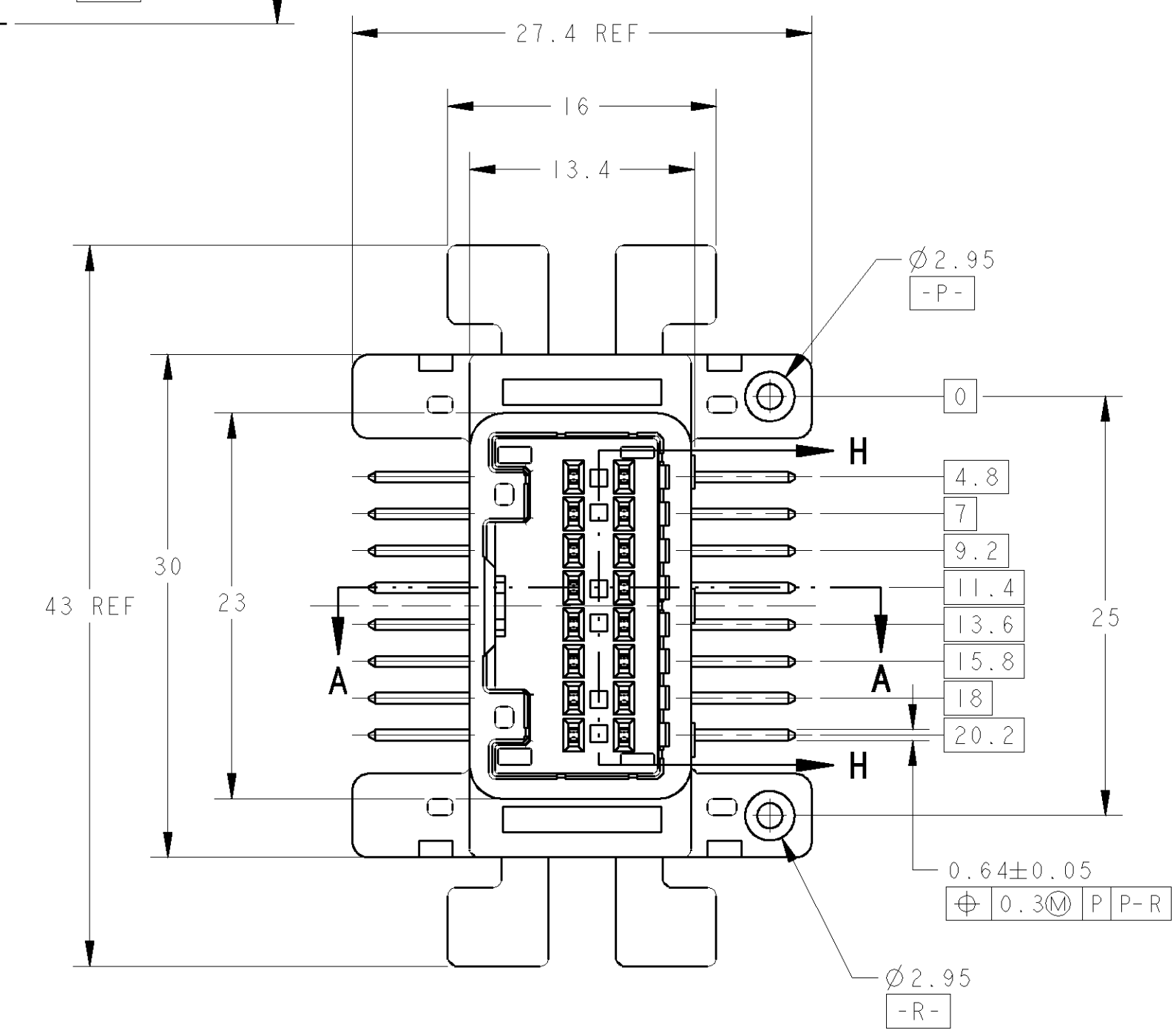
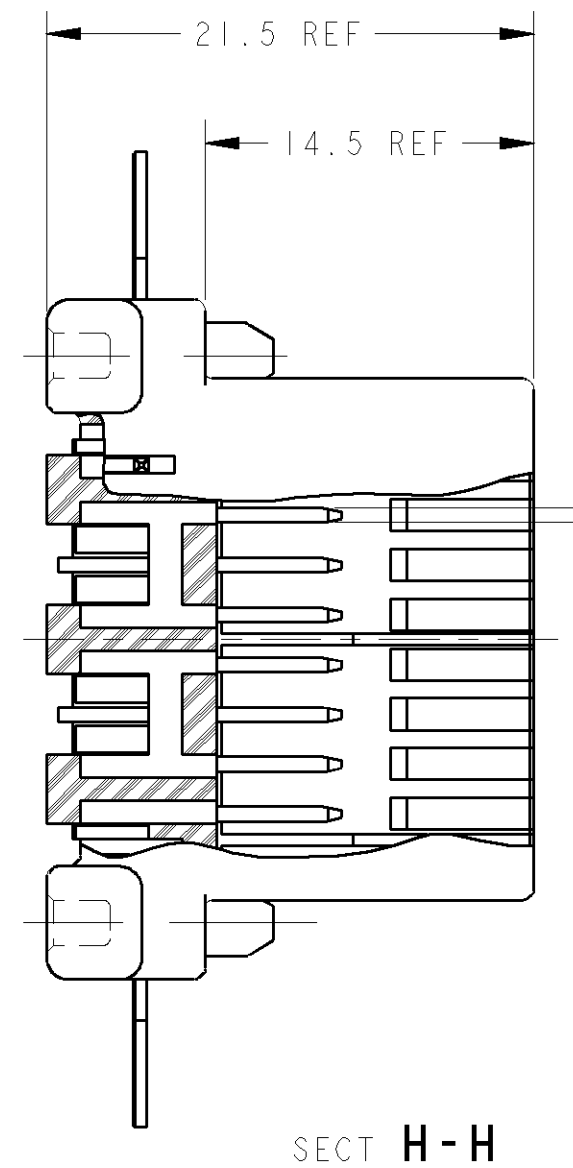
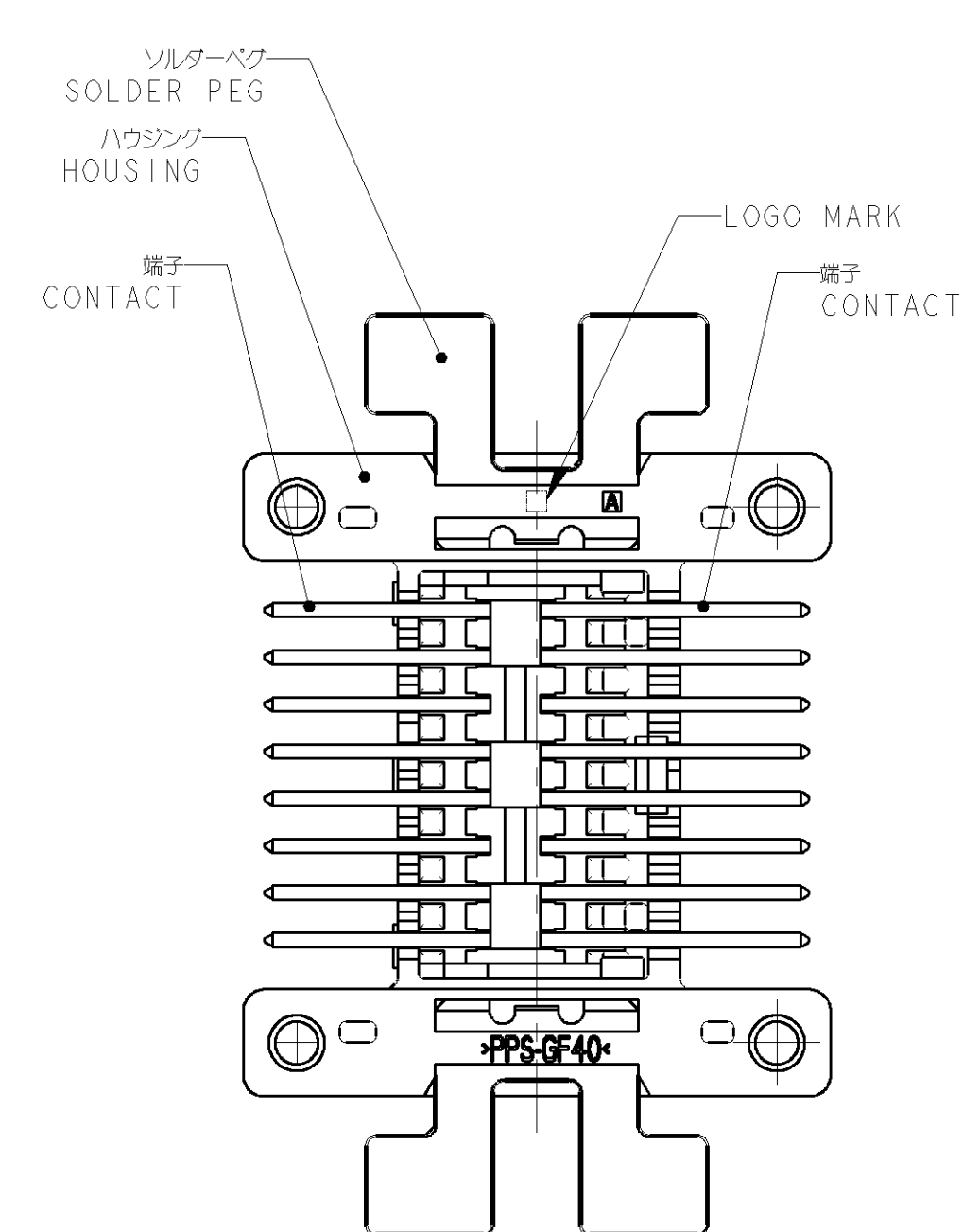
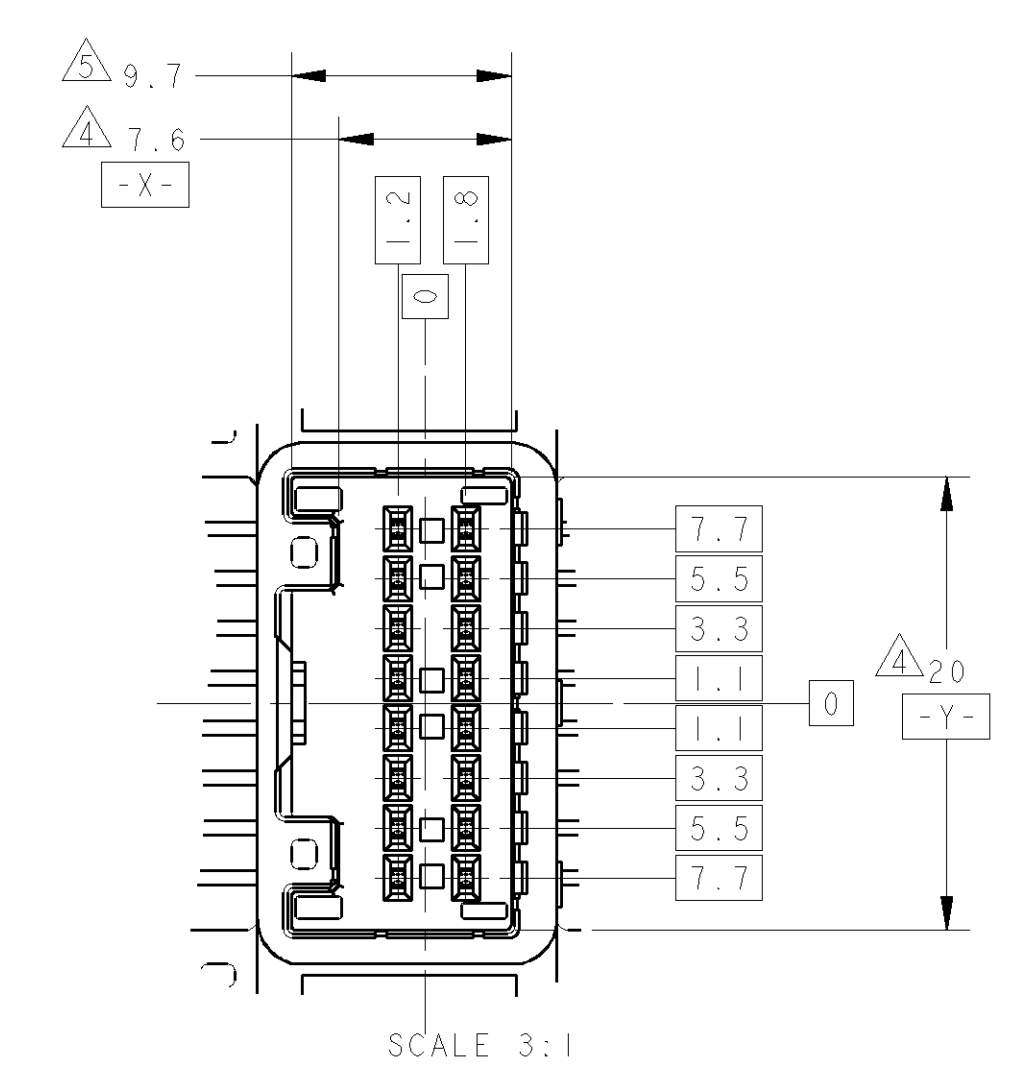
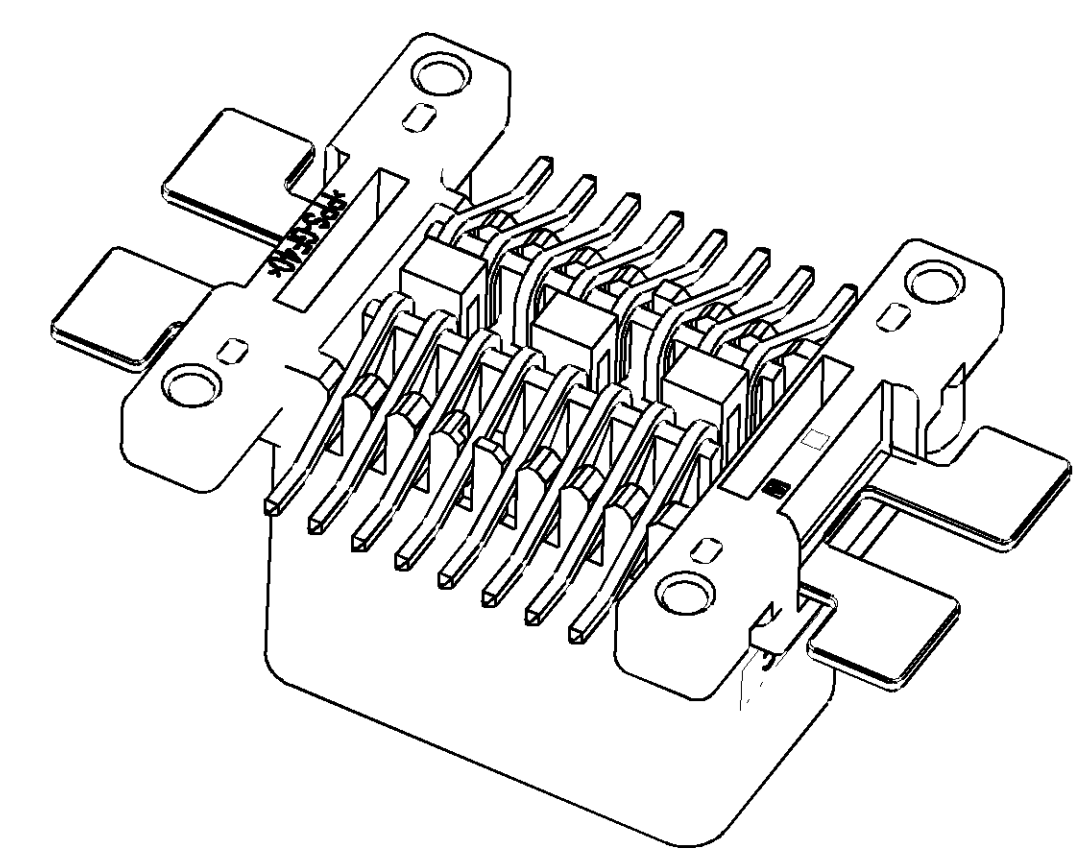
Tel: +86-755-8981 8866 Fax: +86-755-8427 6832

Email & Skype: info@chipsmall.com Web: www.chipsmall.com

Address: A1208, Overseas Decoration Building, #122 Zhenhua RD., Futian, Shenzhen, China

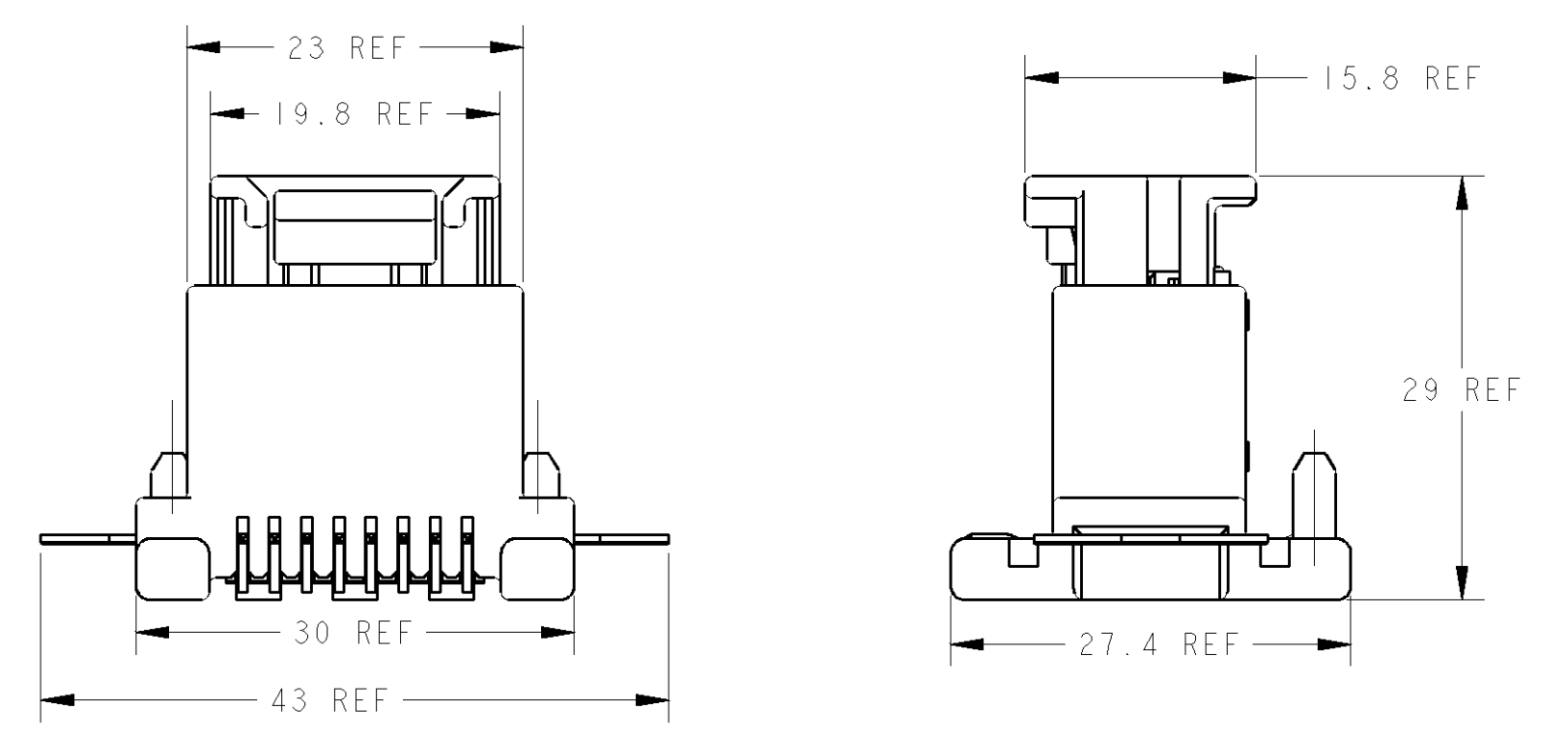


REV. NO.	DATE	DESCRIPTION	BY	CHKD	APPVD
0	16SEP03	RELEASED	FJAO-0330-03	YS	KS
A	16APR10	REVISED	ECR-10-006078	TS	KB



推奨基板寸法図
 RECOMMEND P.C.B DIMENSIONS

CAP ASSEMBLY & PLUG ASSEMBLY ENGAGEMENT DRAWING
 キャップアッセンブリ & プラグアッセンブリ 嵌合図



1. PLUG HOUSING TO BE MATED; SEE TABLE-1
2. DETAIL OF TERMINALS TO BE MATED; SEE TABLE-2
3. AS FOR HANDLING FOR THIS PRODUCT, FOLLOW THE INSTRUCTION SHEET No. 411-78051

- △ MESURED AT 6mm FROM -Z-
- △ MESURED AT 2mm FROM -Z-
- △ POSITION TOLERANCE $\oplus 0.1 \text{ (G) G-H}$
- △ POSITION TOLERANCE $\oplus 0.1 \text{ (G) G-S}$
- △ THIS PRODUCT IS PACKED UP 19ea IN TUBE (P/N: 1-912107-0)

1. 嵌合相手ハウジング型番: TABLE-1参照
 2. 嵌合相手端子構成: TABLE-2参照
 3. 本製品の取り扱いについては、取扱説明書No. 411-78051に従うこと
- △ -Z- は約6mmの位置で測定
 - △ -Z- は約2mmの位置で測定
 - △ $\oplus 0.1 \text{ (G) G-H}$ を適用すること
 - △ $\oplus 0.1 \text{ (G) G-S}$ を適用すること
 - △ 製品はチューブ(型番: 1-912107-0)に19ea入りである。

POS. 種数	TYPE	FEMALE HSG メスハウジング TE P/N
16	CRIMP	1318386
16	IDC	1318690 1318694

SIGNAL	TIN	POS. 種数	APPLICABLE WIRE RANGE (FEMALE) 適用電線 (メス)
025	TIN	16	CAVS/CAVUS 0.22~0.5mm AVSS/AVSSH 0.3~0.5mm

PLASTIC BOX 通い箱	PLASTIC TUBE プラスチックチューブ	POST-TIN	BLACK 黒	1612040-3
PAPER BOX タンボール箱	PLASTIC TUBE プラスチックチューブ	POST-TIN	BLACK 黒	1612040-2
OUTER 外装	INNER 内装	FINISH 仕上げ	COLOER 色	PART NUMBER

PACKING STYLE 梱包形態

OWN 氏名	Y. SUEMITSU	16SEP03
CHK 氏名	S. HIRANUMA	16SEP03
APPV 氏名	K. SAKAMAKI	16SEP03

PRODUCT SPEC 108-5849
 APPLICATION SPEC 114-S250
 WEIGHT 7.8g
 CUSTOMER DRAWING

Tyco Electronics Corporation
 Kawasaki, Japan

025 SERIES SMD CONNECTOR
 16 POSITION CAP HOUSING ASSEMBLY

SIZE CASE CODE DRAWING NO. SHEET 1 OF 1 REV A