



Chipsmall Limited consists of a professional team with an average of over 10 year of expertise in the distribution of electronic components. Based in Hongkong, we have already established firm and mutual-benefit business relationships with customers from,Europe,America and south Asia,supplying obsolete and hard-to-find components to meet their specific needs.

With the principle of “Quality Parts,Customers Priority,Honest Operation,and Considerate Service”,our business mainly focus on the distribution of electronic components. Line cards we deal with include Microchip,ALPS,ROHM,Xilinx,Pulse,ON,Everlight and Freescale. Main products comprise IC,Modules,Potentiometer,IC Socket,Relay,Connector.Our parts cover such applications as commercial,industrial, and automotives areas.

We are looking forward to setting up business relationship with you and hope to provide you with the best service and solution. Let us make a better world for our industry!



## Contact us

Tel: +86-755-8981 8866 Fax: +86-755-8427 6832

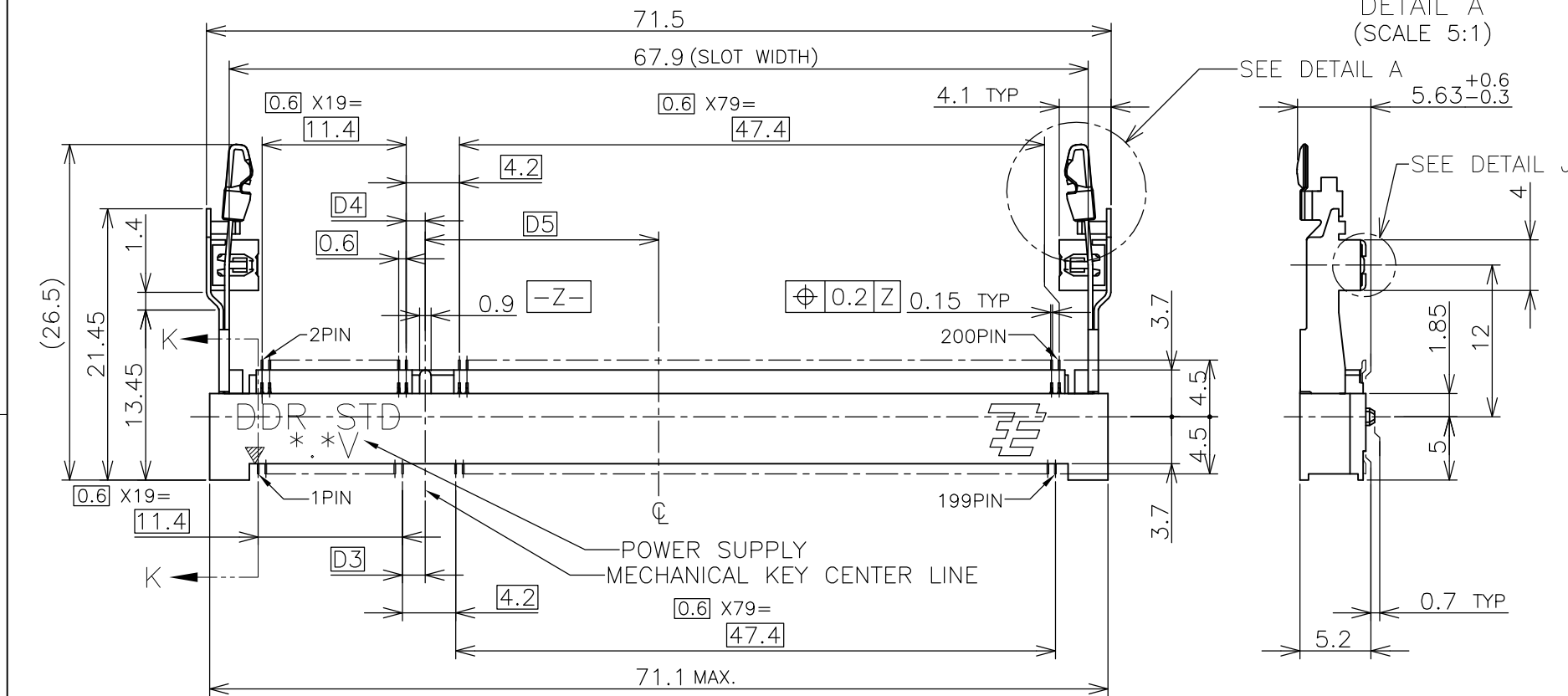
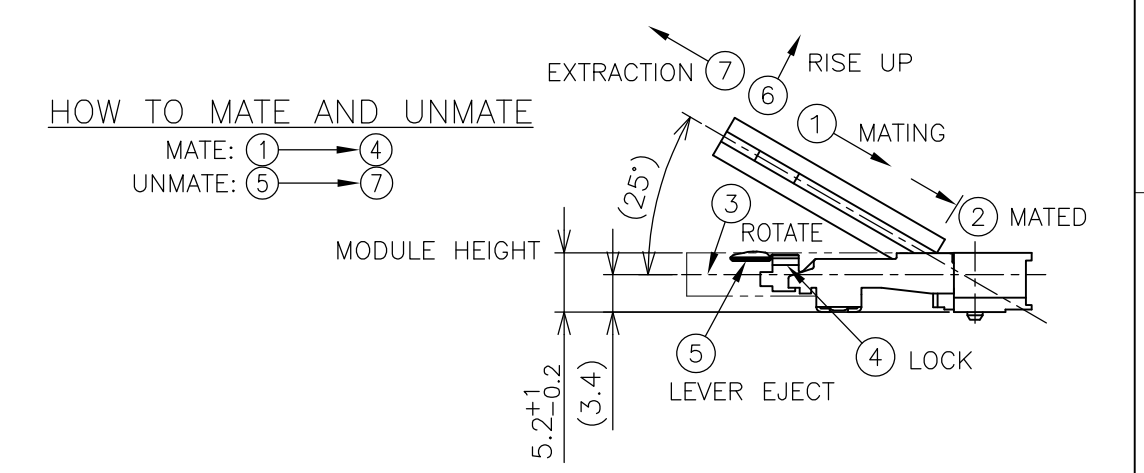
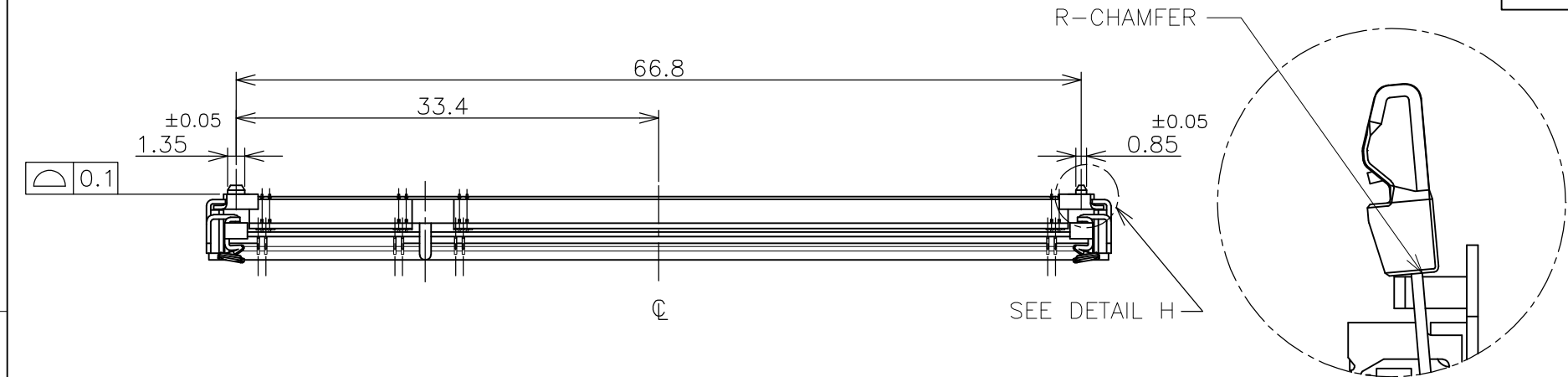
Email & Skype: info@chipsmall.com Web: www.chipsmall.com

Address: A1208, Overseas Decoration Building, #122 Zhenhua RD., Futian, Shenzhen, China

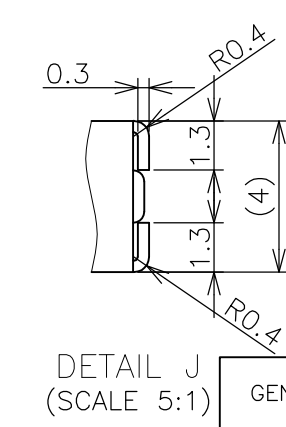
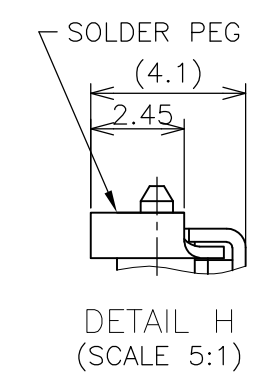
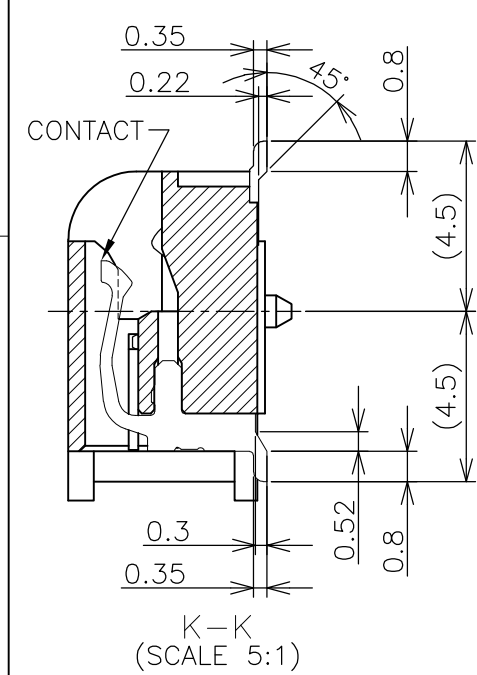


THIS DRAWING IS UNPUBLISHED. RELEASED FOR PUBLICATION OCT ,2001.  
 © COPYRIGHT 2001 BY TYCO ELECTRONICS CORPORATION. ALL RIGHTS RESERVED.

LOC	DIST	REVISIONS			
P	LTR	DESCRIPTION	DATE	DWN	APVD
J	/				
	D1	ECR-10-014669	13JUL10	B.W	S.Y



- (APPLIED TO SHEET 1-2)
- MATERIAL ; HOUSING: HIGH TEMPERATURE THERMO PLASTIC UL94V-0  
 CONTACT: COPPER ARROY  
 LOCK LEVER STAINLESS STEEL  
 SOLDER PEG: COPPER ARROY
  - FINISH ; CONTACT AREA: GOLD FLASH ON 0.0013MIN ALL OVER NICKEL.  
 SOLDERING AREA: GOLD FLASH PLT.  
 SOLDER PEG: TIN LEAD OR TIN PLATING.
- MECHANICAL KEY POSITION OF CONNECTOR SEE TABLE.
  - TOLERANCES NON-CUMULATIVE.
  - NOT TO SCALE.
  - INSIDE MUST BE RESIST COAT EXCEPT SOLDER PATTERN.
7. IF THE MODULE DOESN'T INSERT AND LOCK IN THE LATCH SMOOTHLY, OPEN WIDE BOTH LATCHES BY MANUAL. AND THE MODULE MUST BE INSERTED AND LOCKED IN THE LATCH.



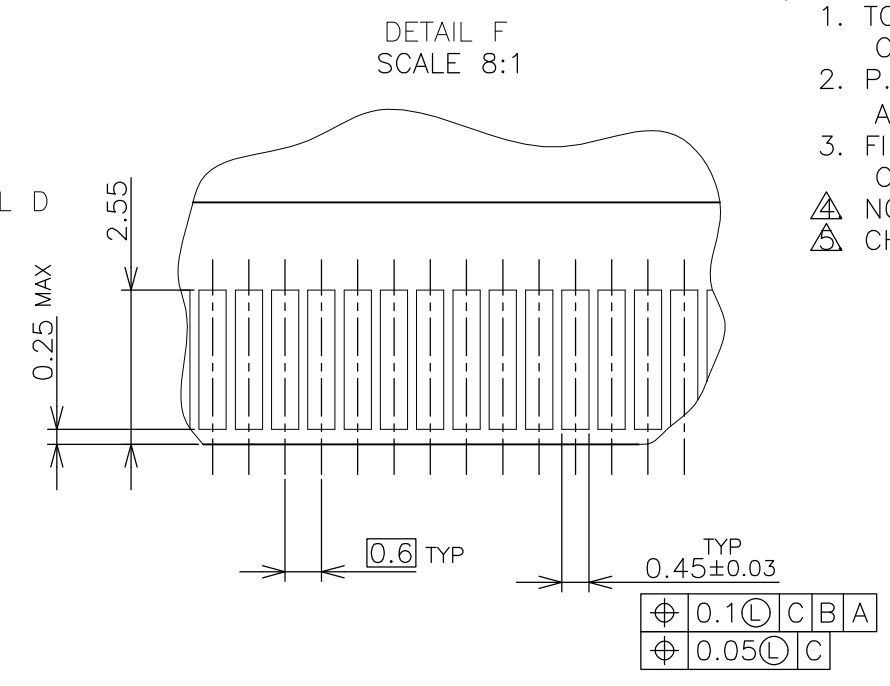
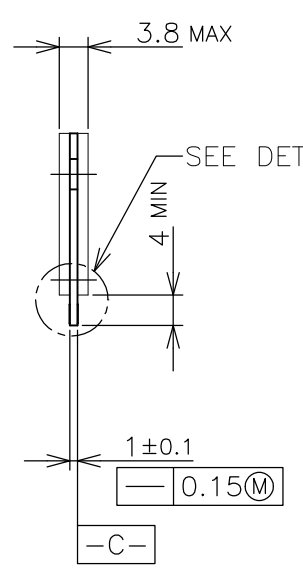
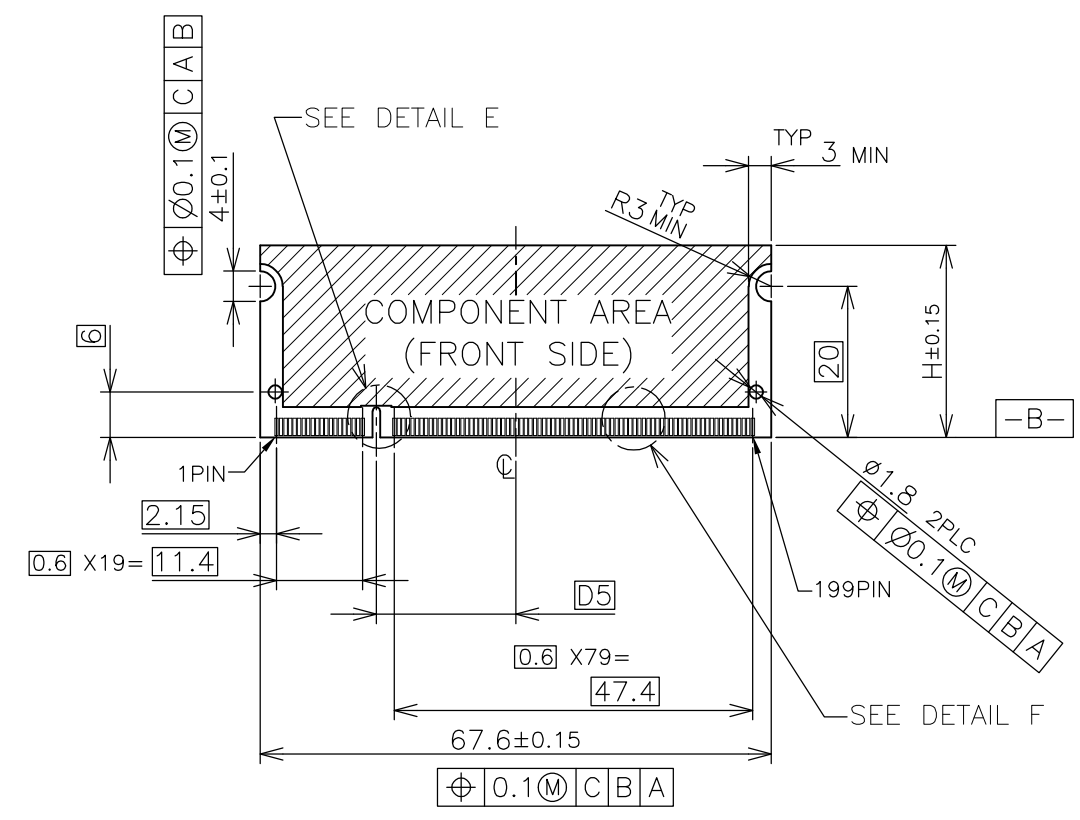
GENERAL TOLERANCE  
 10 ≥ : ±0.2  
 30 ≥ > 10 : ±0.25  
 100 ≥ > 30 : ±0.3  
 ANGLES : ±3°

TIN PLATING (LEAD FREE)	AVAILABLE	2.5V (DDR1)	18.45	1.5	1.8	200	1612507-3
TIN LEAD PLATING	AVAILABLE	2.5V (DDR1)	18.45	1.5	1.8	200	1612507-1
REMARK (PEG)	TOOLING STATUS	POWER SUPPLY	D5	D4	D3	POS	PART NO.
THIS DRAWING IS A CONTROLLED DOCUMENT.		DWN B.WONG 16JUL10	Tyco Electronics AMP K.K. Kawasaki, Japan				
DIMENSIONS: MM		CHK C.WANG 16JUL10					
TOLERANCES UNLESS OTHERWISE SPECIFIED:		APVD S.YAO 16JUL10					
0 PLC ± 1 PLC ± 2 PLC ± 3 PLC ± 4 PLC ± ANGLES ± FINISH ±		NAME					
MATERIAL		PRODUCT SPEC 108-5701	DDR SODIMM SOCKET 200P STANDARD PROFILE STANDARD TYPE				
		APPLICATION SPEC	SIZE A3	CAGE CODE 00779	DRAWING NO C-1612507	RESTRICTED TO	
		WEIGHT 4.7g	CUSTOMER DRAWING				
		CUSTOMER DRAWING	SCALE 2:1	SHEET 1 OF 4	REV D1		

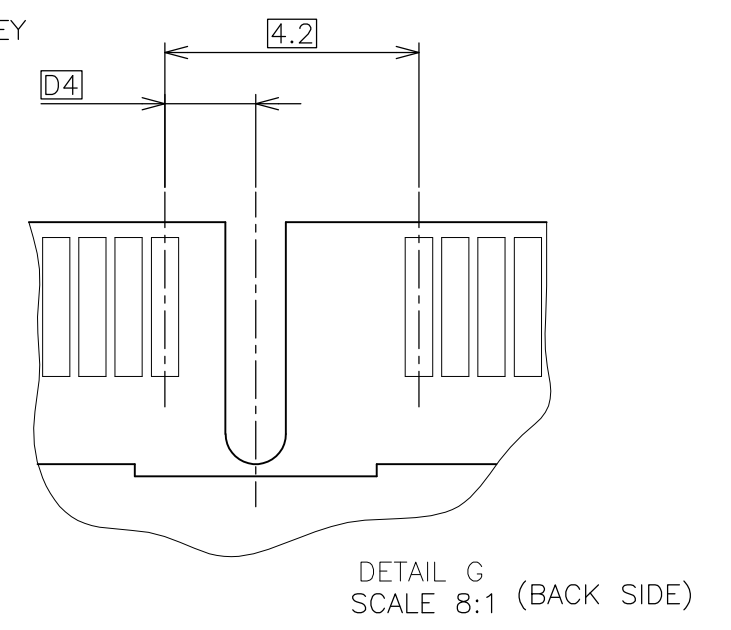
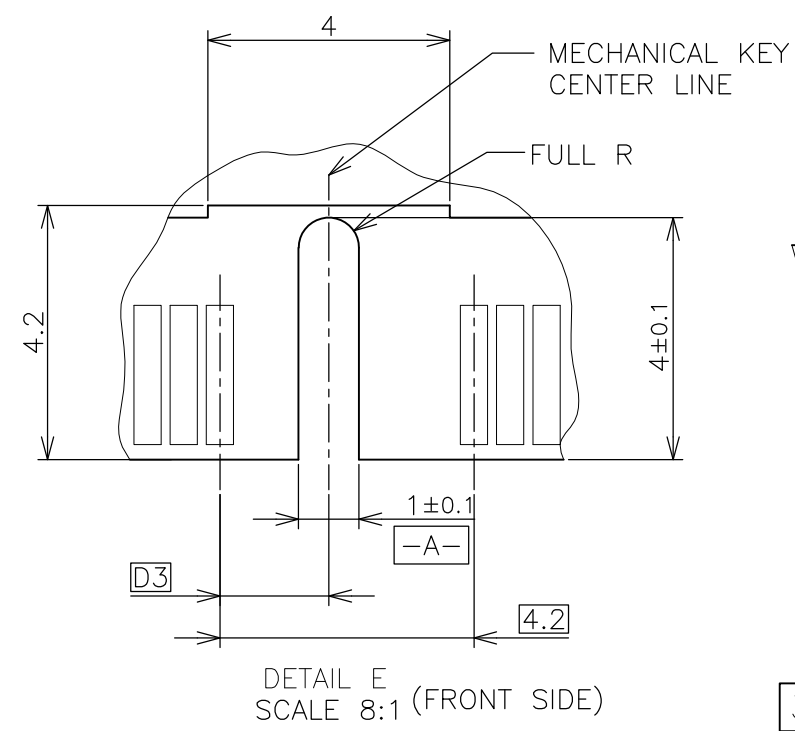
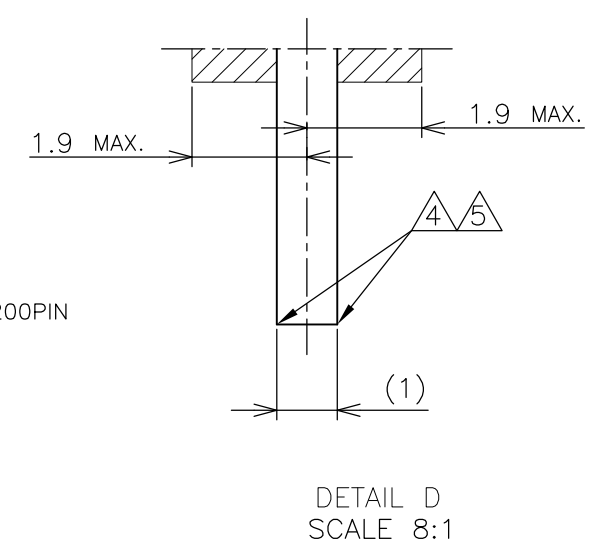
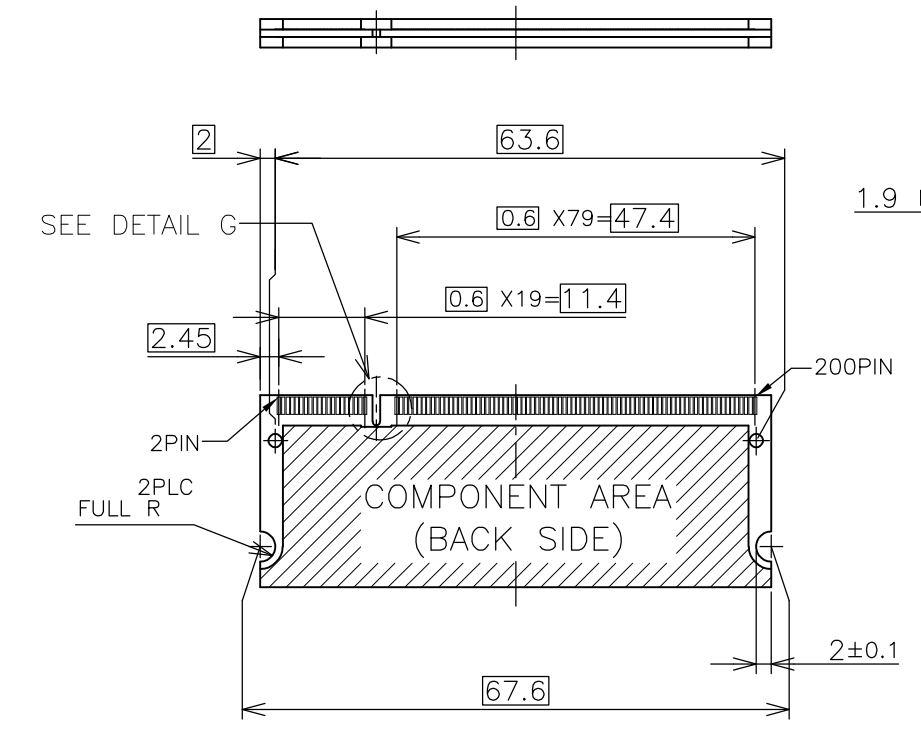


THIS DRAWING IS UNPUBLISHED. RELEASED FOR PUBLICATION OCT. 2001.  
 © COPYRIGHT 2001 BY TYCO ELECTRONICS CORPORATION. ALL RIGHTS RESERVED.

LOC	DIST	REVISIONS			
P	LTR	DESCRIPTION	DATE	DWN	APVD
J	/	SEE SHEET 1	-	-	-



- (APPLIED TO SHEET 3)
1. TOLERANCES ON ALL DIMENSIONS ±0.15 UNLESS OTHERWISE SPECIFIED.
  2. P.C. BOARD THICKNESS APPLIES ACROSS TABS AND INCLUDES PLATING AND/OR METALIZATION.
  3. FINISH OF PAD : GOLD PLATING 0.00076 MIN. OVER Ni PLATING 0.002MIN.
- △ NO BURR  
 ▽ CHAMFER 0.25 MAX x 45° IF EXIST.

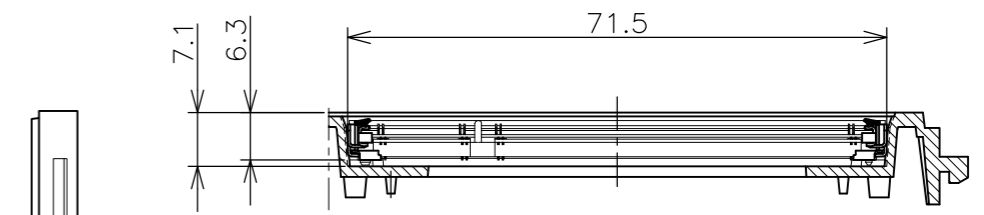
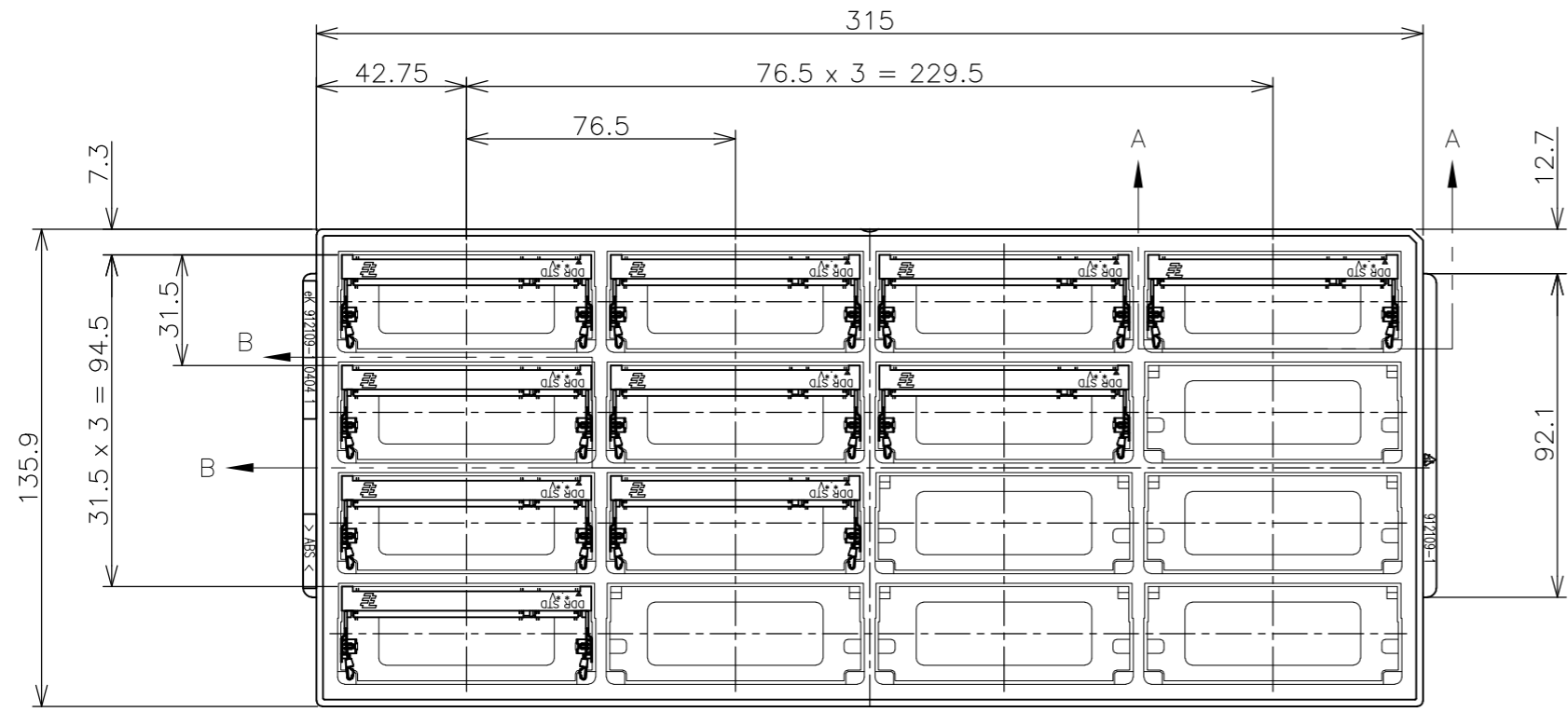


RECOMMENDED MATING P.C.B CONFIGURATION

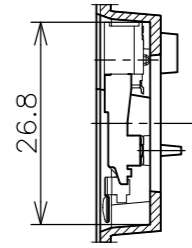
THIS DRAWING IS A CONTROLLED DOCUMENT.		DWN	Tyco Electronics AMP K.K. Kawasaki, Japan			
DIMENSIONS: MM		CHK	NAME			
TOLERANCES UNLESS OTHERWISE SPECIFIED:		APVD	DDR SODIMM SOCKET 200P STANDARD PROFILE STANDARD TYPE			
0 PLC ±		PRODUCT SPEC	SIZE	CAGE CODE	DRAWING NO	RESTRICTED TO
1 PLC ±		APPLICATION SPEC	A3	00779	C-1612507	-
2 PLC ±		WEIGHT	CUSTOMER DRAWING			
3 PLC ±		CUSTOMER DRAWING	SCALE	SHEET	OF	REV
4 PLC ±		CUSTOMER DRAWING	2:1	3	4	D1
ANGLES ±		CUSTOMER DRAWING	POWER SUPPLY D5 D4 D3			
FINISH ±		CUSTOMER DRAWING	1.8V 17.55 2.4 2.7			
		CUSTOMER DRAWING	2.5V 18.45 1.5 1.8			

THIS DRAWING IS UNPUBLISHED. RELEASED FOR PUBLICATION OCT, 2001.  
 © COPYRIGHT 2001 BY TYCO ELECTRONICS CORPORATION. ALL RIGHTS RESERVED.

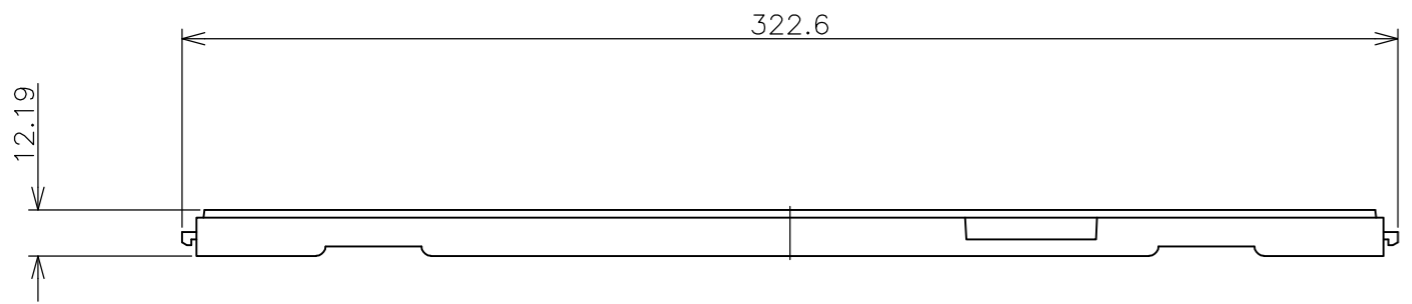
LOC	DIST	REVISIONS					
		P	LTR	DESCRIPTION	DATE	DWN	APVD
J	-	-	-	SEE SHEET 1	-	-	-



A-A  
SCALE 1:1



B-B  
SCALE 1:1



TIN PLATING	16EA/TRAY	1612507-3
TIN LEAD PLATING		1612507-1
REMARK (PEG)	QTY	P/N

- (APPLIED TO SHEET 4)
1. THE DIRECTION OF EACH CONNECTOR ON A TRAY IS REFERRED TO THIS DRAWING.
  2. GENERAL TOLERANCE: ±0.5

THIS DRAWING IS A CONTROLLED DOCUMENT.		DWN	Tyco Electronics AMP K.K. Kawasaki, Japan			
DIMENSIONS: MM		CHK				
TOLERANCES UNLESS OTHERWISE SPECIFIED:		APVD	NAME			
0 PLC ± 1 PLC ± 2 PLC ± 3 PLC ± 4 PLC ± ANGLES ±		PRODUCT SPEC	DDR SODIMM SOCKET 200P STANDARD PROFILE STANDARD TYPE			
MATERIAL		FINISH	SIZE	CAGE CODE	DRAWING NO	RESTRICTED TO
			A3	00779	1612507	-
CUSTOMER DRAWING			SCALE	SHEET	OF	REV
			1:2	4	4	D1