



Chipsmall Limited consists of a professional team with an average of over 10 year of expertise in the distribution of electronic components. Based in Hongkong, we have already established firm and mutual-benefit business relationships with customers from,Europe,America and south Asia,supplying obsolete and hard-to-find components to meet their specific needs.

With the principle of “Quality Parts,Customers Priority,Honest Operation,and Considerate Service”,our business mainly focus on the distribution of electronic components. Line cards we deal with include Microchip,ALPS,ROHM,Xilinx,Pulse,ON,Everlight and Freescale. Main products comprise IC,Modules,Potentiometer,IC Socket,Relay,Connector.Our parts cover such applications as commercial,industrial, and automotives areas.

We are looking forward to setting up business relationship with you and hope to provide you with the best service and solution. Let us make a better world for our industry!



Contact us

Tel: +86-755-8981 8866 Fax: +86-755-8427 6832

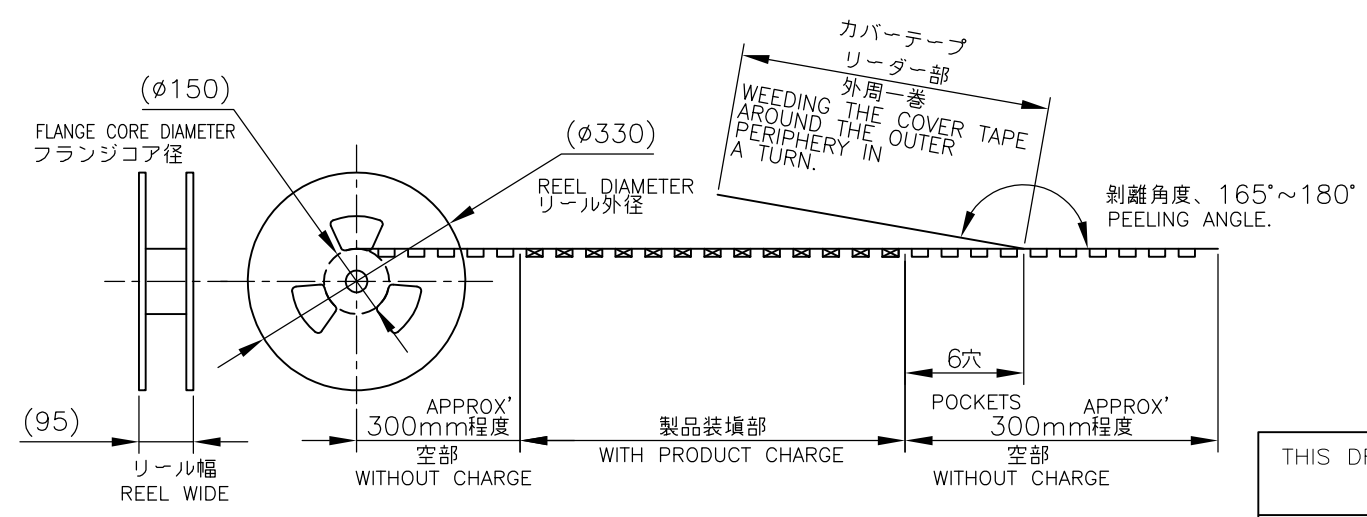
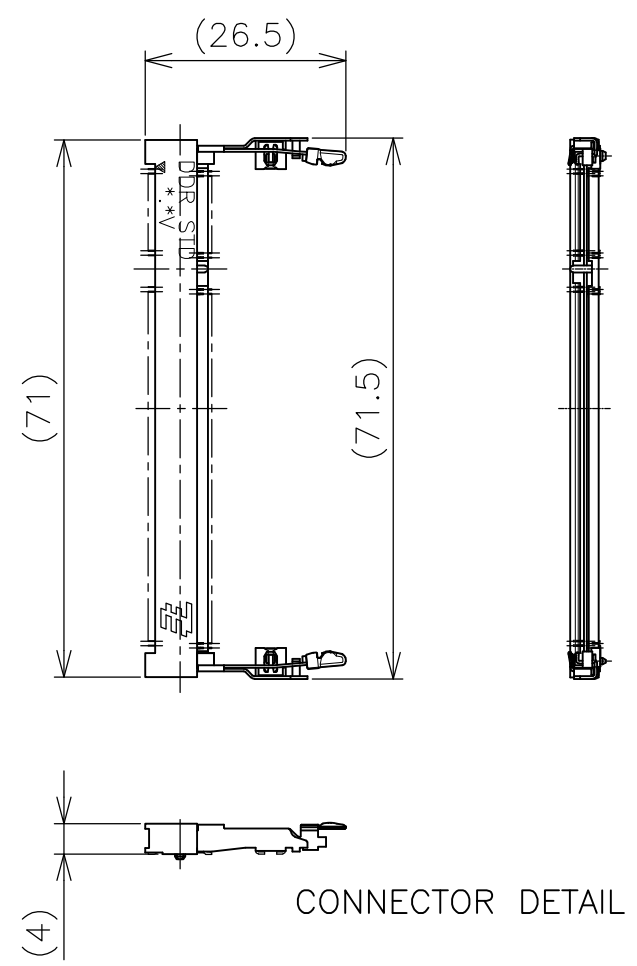
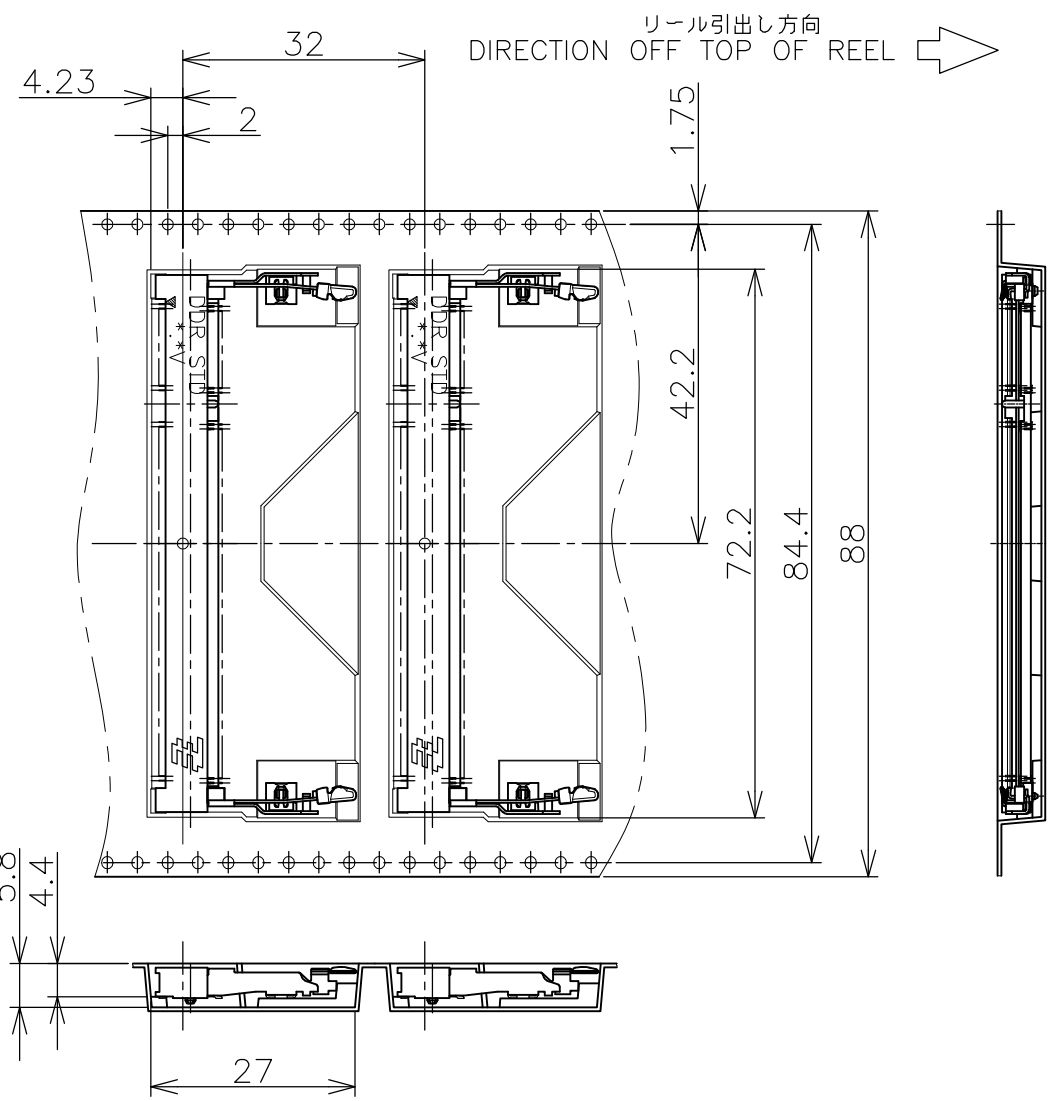
Email & Skype: info@chipsmall.com Web: www.chipsmall.com

Address: A1208, Overseas Decoration Building, #122 Zhenhua RD., Futian, Shenzhen, China



THIS DRAWING IS UNPUBLISHED. RELEASED FOR PUBLICATION JUN ,2002.
 © COPYRIGHT 2002 BY TYCO ELECTRONICS CORPORATION. ALL RIGHTS RESERVED.

LOC	DIST	REVISIONS					
J	/	P	LTR	DESCRIPTION	DATE	DWN	APVD
			C1	ECR-10-014669	13JUL10	B.W	S.Y



鉛フリー
LEAD FREE

1.8V (DDR2)	200EA/REEL	1565618-4	1612559-4
2.5V (DDR1)	200EA/REEL	1565618-1	1612559-1
POWER SUPPLY (TYPE)	QTY	CONNECTOR P/N	P/N

THIS DRAWING IS A CONTROLLED DOCUMENT.

DIMENSIONS: 単位: 耗 MM	TOLERANCES UNLESS OTHERWISE SPECIFIED: 一般公差	DWN B.WONG 14JUL10	Tyco Electronics AMP K.K. Kawasaki, Japan
		CHK C.WANG 14JUL10	
		APVD S.YAO 14JUL10	NAME 名称
		PRODUCT SPEC 製品規格 108-5701	EMBOSS ASSEMBLY DDR1 & DDR2 SODIMM SOCKET 200P LOW PROFILE STANDARD TYPE
		APPLICATION SPEC 取付適用規格	SIZE A3
MATERIAL 材料	FINISH 仕上	WEIGHT	CAGE CODE 00779
			DRAWING NO 番号 G-1612559
			RESTRICTED TO
		CUSTOMER DRAWING	SCALE 尺度 1:1
			SHEET 1 OF 1
			REV C1