



Chipsmall Limited consists of a professional team with an average of over 10 year of expertise in the distribution of electronic components. Based in Hongkong, we have already established firm and mutual-benefit business relationships with customers from,Europe,America and south Asia,supplying obsolete and hard-to-find components to meet their specific needs.

With the principle of “Quality Parts,Customers Priority,Honest Operation,and Considerate Service”,our business mainly focus on the distribution of electronic components. Line cards we deal with include Microchip,ALPS,ROHM,Xilinx,Pulse,ON,Everlight and Freescale. Main products comprise IC,Modules,Potentiometer,IC Socket,Relay,Connector.Our parts cover such applications as commercial,industrial, and automotives areas.

We are looking forward to setting up business relationship with you and hope to provide you with the best service and solution. Let us make a better world for our industry!



Contact us

Tel: +86-755-8981 8866 Fax: +86-755-8427 6832

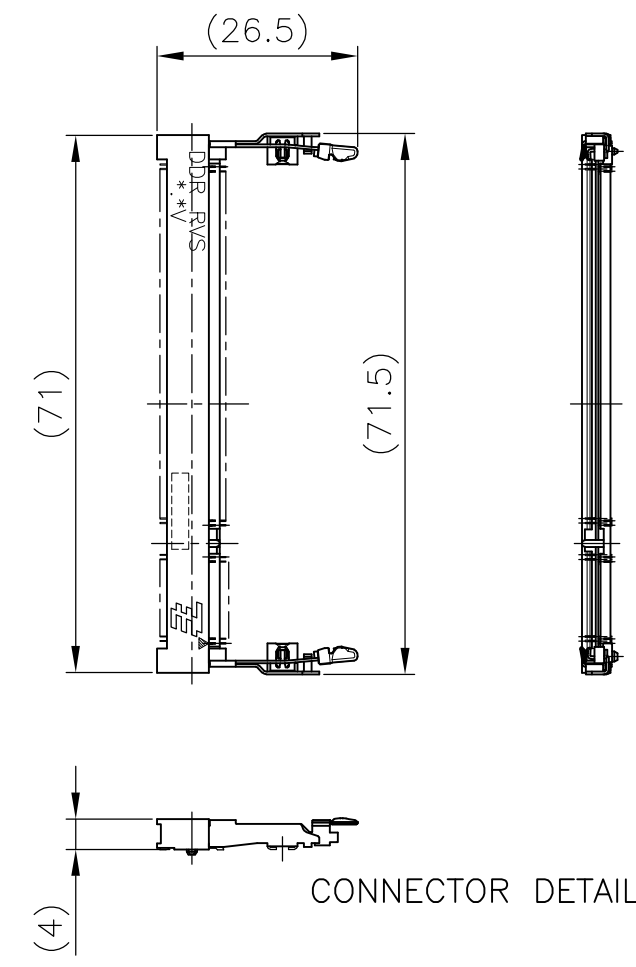
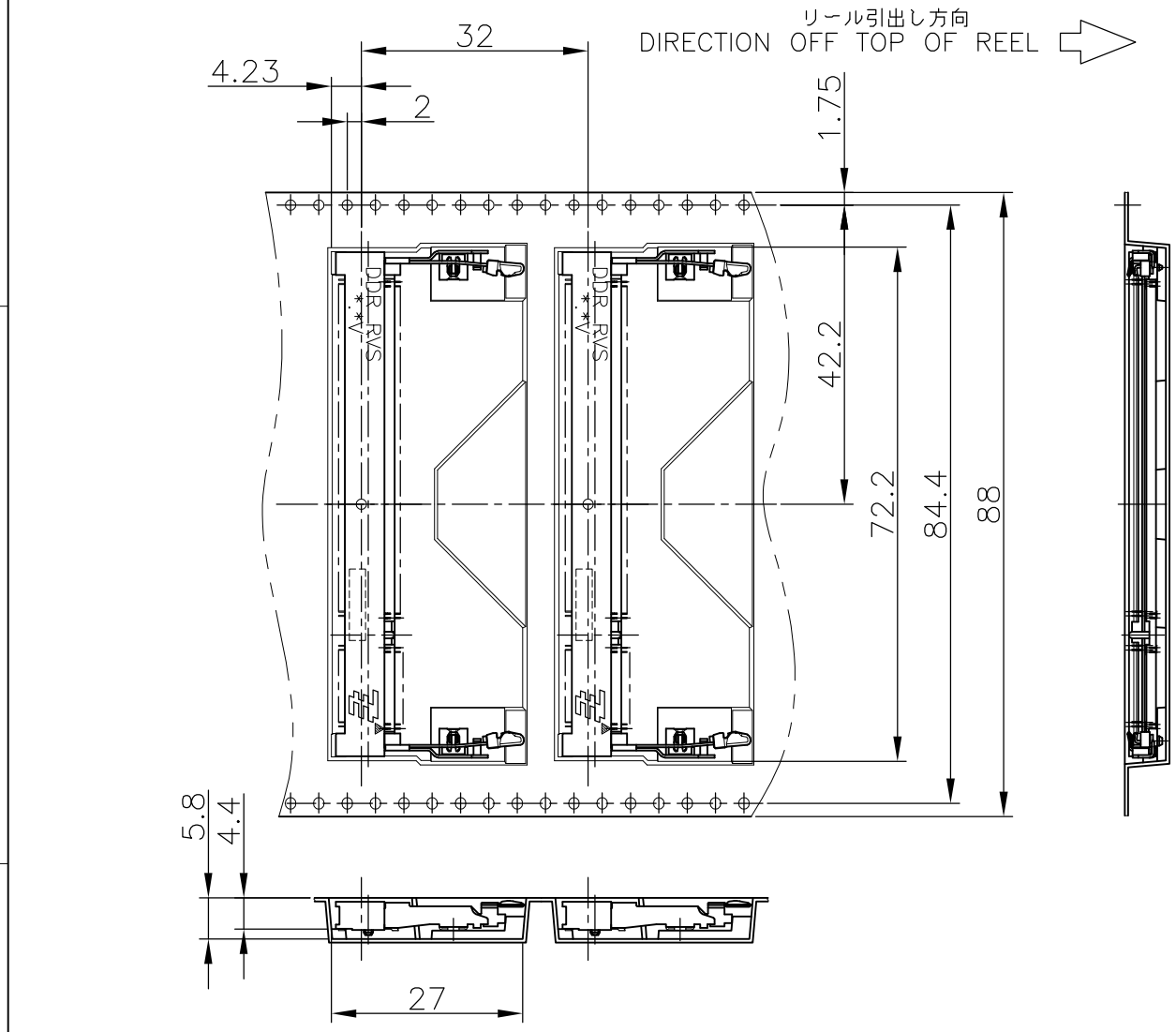
Email & Skype: info@chipsmall.com Web: www.chipsmall.com

Address: A1208, Overseas Decoration Building, #122 Zhenhua RD., Futian, Shenzhen, China



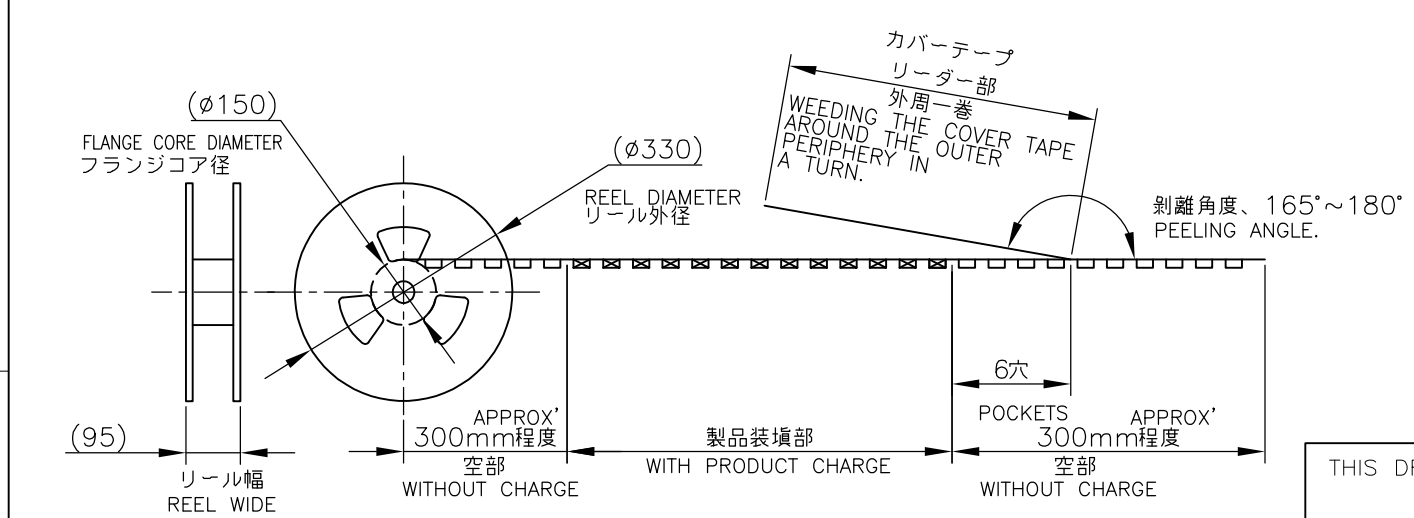
THIS DRAWING IS UNPUBLISHED. RELEASED FOR PUBLICATION JUN ,2002.
 © COPYRIGHT 2002 BY TYCO ELECTRONICS CORPORATION. ALL RIGHTS RESERVED.

LOC	DIST	REVISIONS					
J		P	LTR	DESCRIPTION	DATE	DWN	APVD
			C2	ECR-10-014684	22JUL10	B.W	S.Y



CONNECTOR DETAIL

△ OBSOLETE PARTS: OBSOLETE CIS STREAMLINING PER D.RENAUD/D.SINISI



鉛フリー
LEAD FREE

△ OBSOLETE	1.8V (DDR2)	200EA/REEL	1565619-4	1612560-4
	2.5V (DDR1)	200EA/REEL	1565619-1	1612560-1
	POWER SUPPLY (TYPE)	QTY	CONNECTOR P/N	P/N

THIS DRAWING IS A CONTROLLED DOCUMENT.		DWN T.FUTATSUGI 11JUN02	Tyco Electronics AMP K.K. Kawasaki, Japan	
DIMENSIONS: 単位: 耗 MM		CHK T.KUSUHARA 11JUN02	NAME I.ENOMOTO 11JUN02	
TOLERANCES UNLESS OTHERWISE SPECIFIED: 一般公差		PRODUCT SPEC 製品規格 108-5701		
0 PLC ± 0.3 1 PLC ± 0.3 2 PLC ± 0.3 3 PLC ± 0.3 4 PLC ± 0.3 ANGLES ± 5'		APPLICATION SPEC 取付適用規格		
MATERIAL 材料	FINISH 仕上	WEIGHT	SIZE A3	CAGE CODE 00779
		DRAWING NO G-1612560		RESTRICTED TO 番号
CUSTOMER DRAWING		SCALE 尺度 1:1	SHEET 1 OF 1	REV C2