



Chipsmall Limited consists of a professional team with an average of over 10 year of expertise in the distribution of electronic components. Based in Hongkong, we have already established firm and mutual-benefit business relationships with customers from,Europe,America and south Asia,supplying obsolete and hard-to-find components to meet their specific needs.

With the principle of “Quality Parts,Customers Priority,Honest Operation,and Considerate Service”,our business mainly focus on the distribution of electronic components. Line cards we deal with include Microchip,ALPS,ROHM,Xilinx,Pulse,ON,Everlight and Freescale. Main products comprise IC,Modules,Potentiometer,IC Socket,Relay,Connector.Our parts cover such applications as commercial,industrial, and automotives areas.

We are looking forward to setting up business relationship with you and hope to provide you with the best service and solution. Let us make a better world for our industry!



Contact us

Tel: +86-755-8981 8866 Fax: +86-755-8427 6832

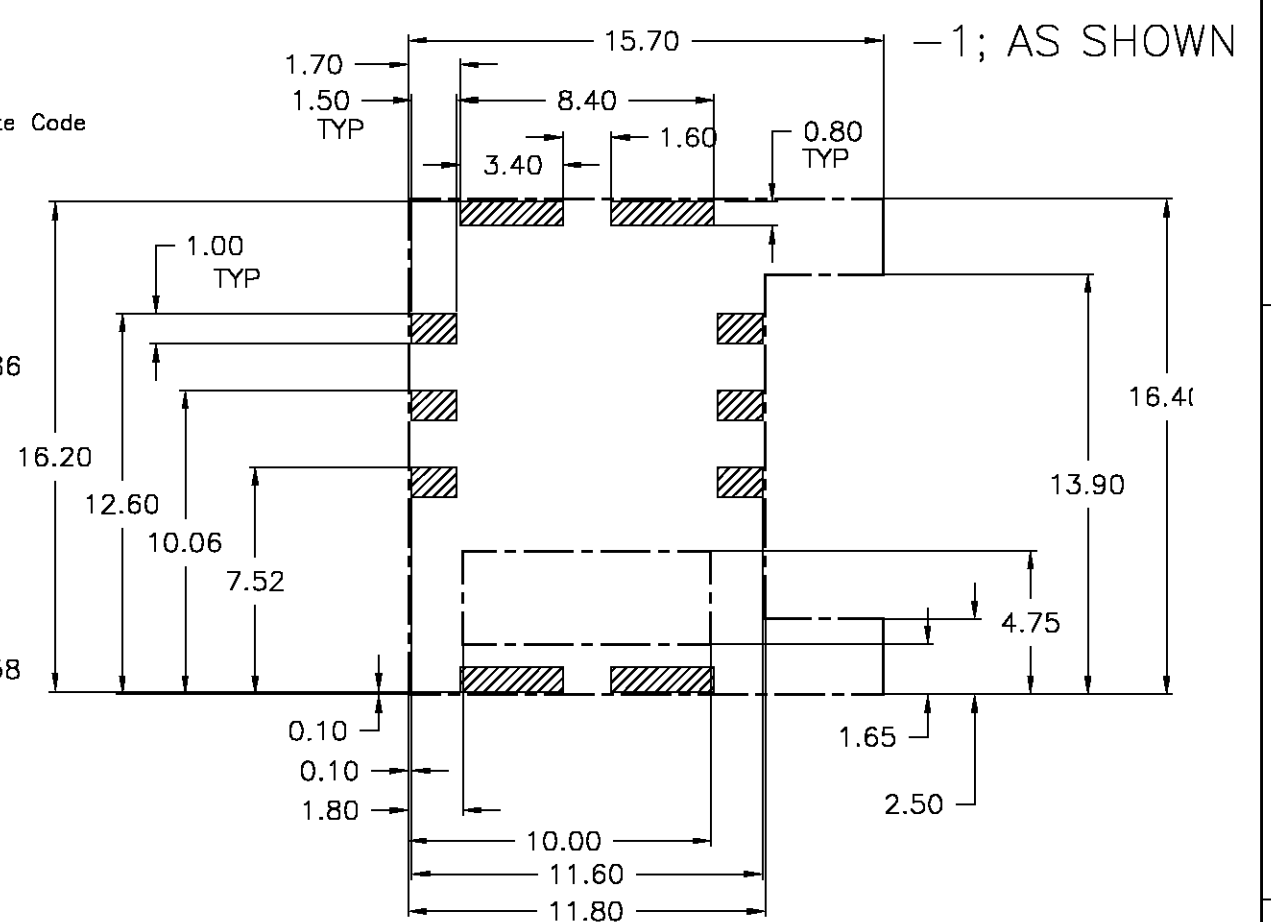
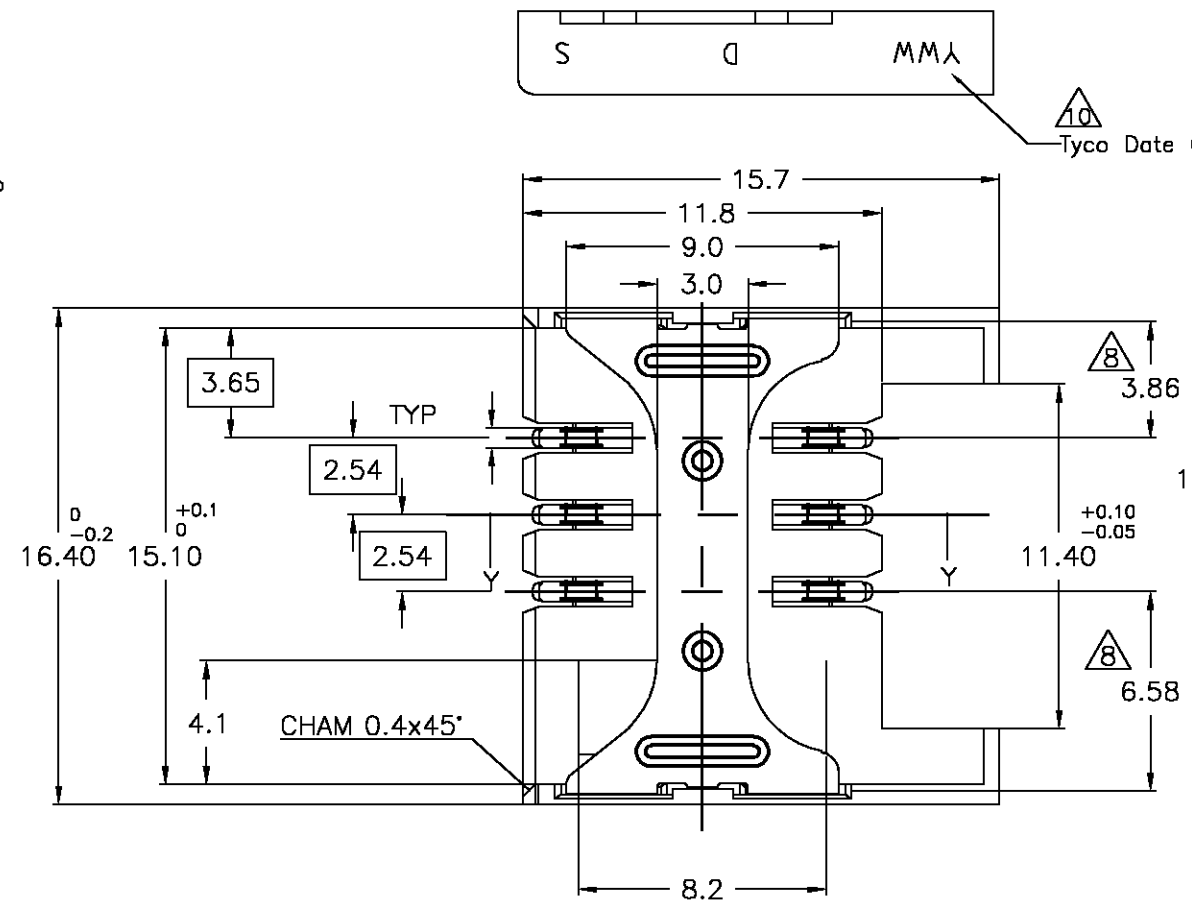
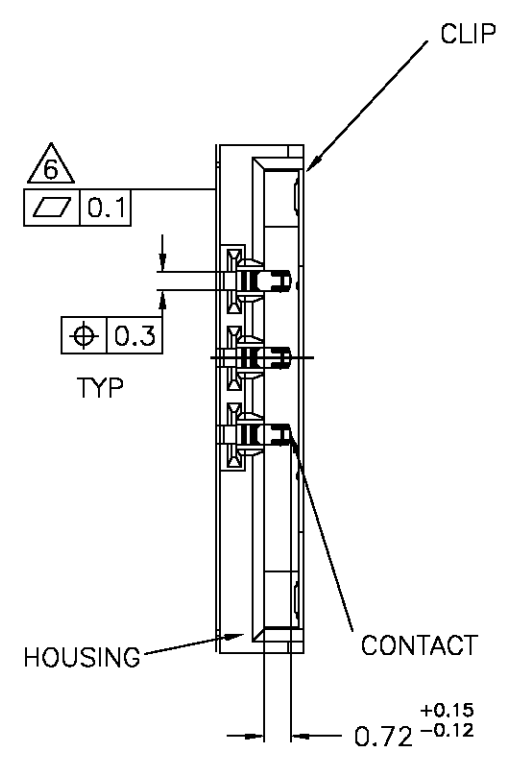
Email & Skype: info@chipsmall.com Web: www.chipsmall.com

Address: A1208, Overseas Decoration Building, #122 Zhenhua RD., Futian, Shenzhen, China

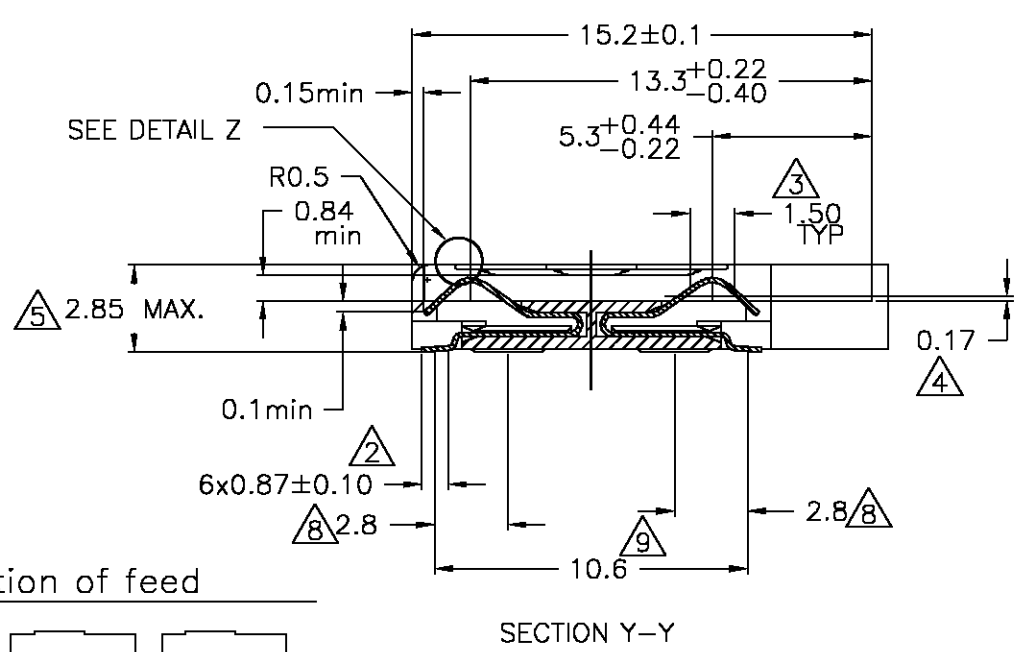
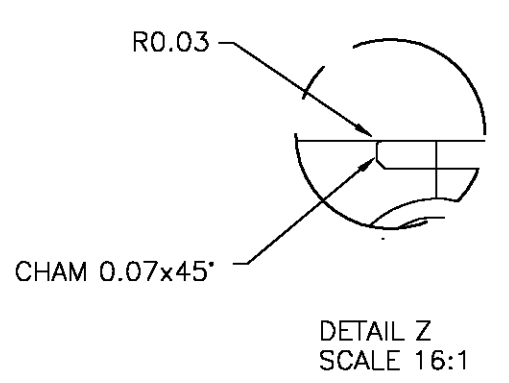


THIS DRAWING IS UNPUBLISHED. RELEASED FOR PUBLICATION 26JUL, 2002.
 © COPYRIGHT 2002 BY TYCO ELECTRONICS CORPORATION. ALL RIGHTS RESERVED.

LOC	DIST	REVISIONS				
		P	LTR	DESCRIPTION		
J	-	D2	REVISED	-		
				DATE	DWN	APVD
				06APR2005	C.O	T.K

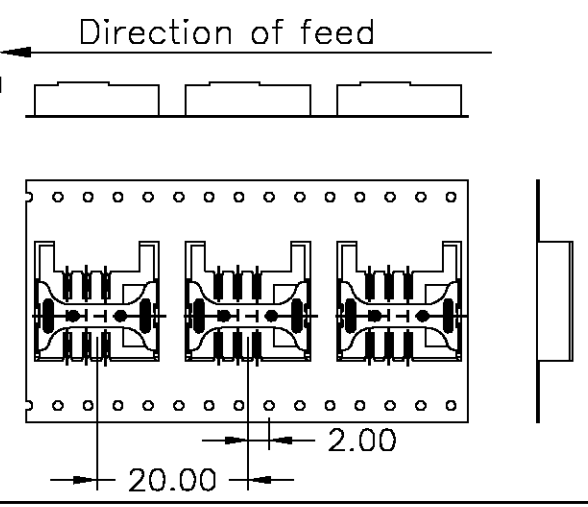


RECOMMENDED PCB LAYOUT



- △ MATERIAL: HOUSING : THERMO PLASTIC RESIN
CONTACT AND CLIP: COPPER ALLOY
PLATING; CONTACT SPRING PLATED COMPLETELY 1.5-1.8micron meter N
- △ IN THIS ZONE PLATED min 3 micron meter SnPb.
- △ IN THIS ZONE PLATED min 0.2 micron meter Au over min 1 Um Pd or PdNi.
- △ WHEN CONTACT IS COMPRESSED TO THIS HEIGHT
SPRING FORCE min 0.3N-0.7N
- △ OVERALL DIMENSION.
- △ COPLANARITY MEASURED 6 CONTACTS AND TWO PEGS
- 7 PACKAGING SPECIFICATION: 107-60193
- △ DIMENSION FROM CENTER OF CONTACT TO CENTER OF CLIP PEG.
- △ DIMENSION FROM LEFT CONTACT TO RIGHT CONTACT
- △ TYCO DATE CODE LOCATED AT OPPOSITE OF GATING SIDE
Y=YEAR; W=WEEK; D=DAY; S=SHIFT

Packaging: tape & reel (1:1)
 Tape width: 32
 Tape material: PS black conductive
 Cavity pitch: 20
 Reel diameter: 360
 Components / reel: 1000
 Five reels packed in a box
 Packaging specification: 107-60193



THIS DRAWING IS A CONTROLLED DOCUMENT.		DWN	22JUL2002	tyco Electronics	Tyco Electronics AMP K.K.	
		CHK	24JUL2002		Kawasaki, Japan	
		APVD	24JUL2002	NAME	SIM READER SLIDE TYPE	
		PRODUCT SPEC	製品規格	ASSY 6P		
		APPLICATION SPEC	取付適用規格	H=2.9		
		WEIGHT	0.6g	SIZE	CAGE CODE	DRAWING NO
				A3	00779	C-1612586
		CUSTOMER DRAWING		SCALE	SHEET	REV
				4:1	1 OF 1	D2