



Chipsmall Limited consists of a professional team with an average of over 10 year of expertise in the distribution of electronic components. Based in Hongkong, we have already established firm and mutual-benefit business relationships with customers from,Europe,America and south Asia,supplying obsolete and hard-to-find components to meet their specific needs.

With the principle of “Quality Parts,Customers Priority,Honest Operation,and Considerate Service”,our business mainly focus on the distribution of electronic components. Line cards we deal with include Microchip,ALPS,ROHM,Xilinx,Pulse,ON,Everlight and Freescale. Main products comprise IC,Modules,Potentiometer,IC Socket,Relay,Connector.Our parts cover such applications as commercial,industrial, and automotives areas.

We are looking forward to setting up business relationship with you and hope to provide you with the best service and solution. Let us make a better world for our industry!



Contact us

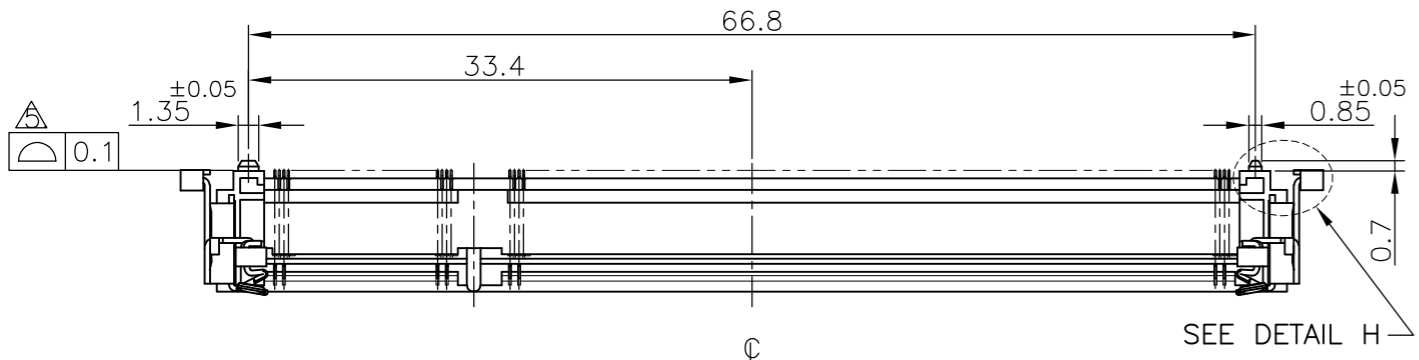
Tel: +86-755-8981 8866 Fax: +86-755-8427 6832

Email & Skype: info@chipsmall.com Web: www.chipsmall.com

Address: A1208, Overseas Decoration Building, #122 Zhenhua RD., Futian, Shenzhen, China



LOC	DIST	REVISIONS					
		P	LTR	DESCRIPTION	DATE	DWN	APVD
J		E1		ECR-10-014684	22JUL10	B.W	S.Y

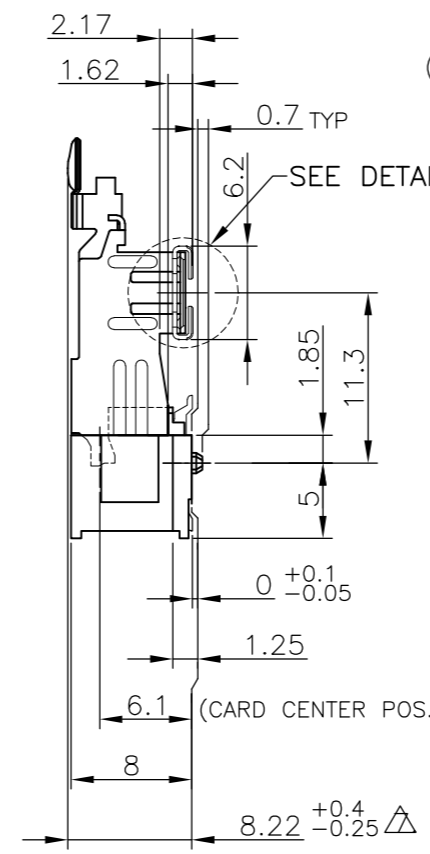


HOW TO MATE AND UNMATE

- MATE: ① → ④
- UNMATE: ⑤ → ⑦

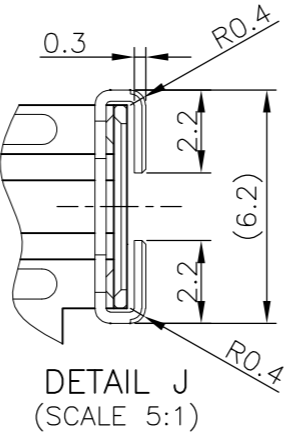
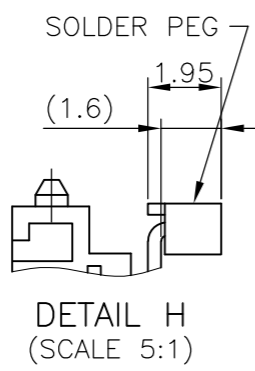
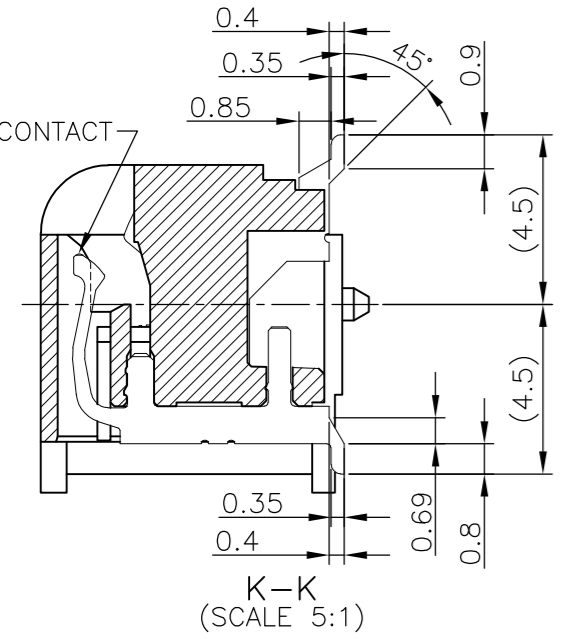
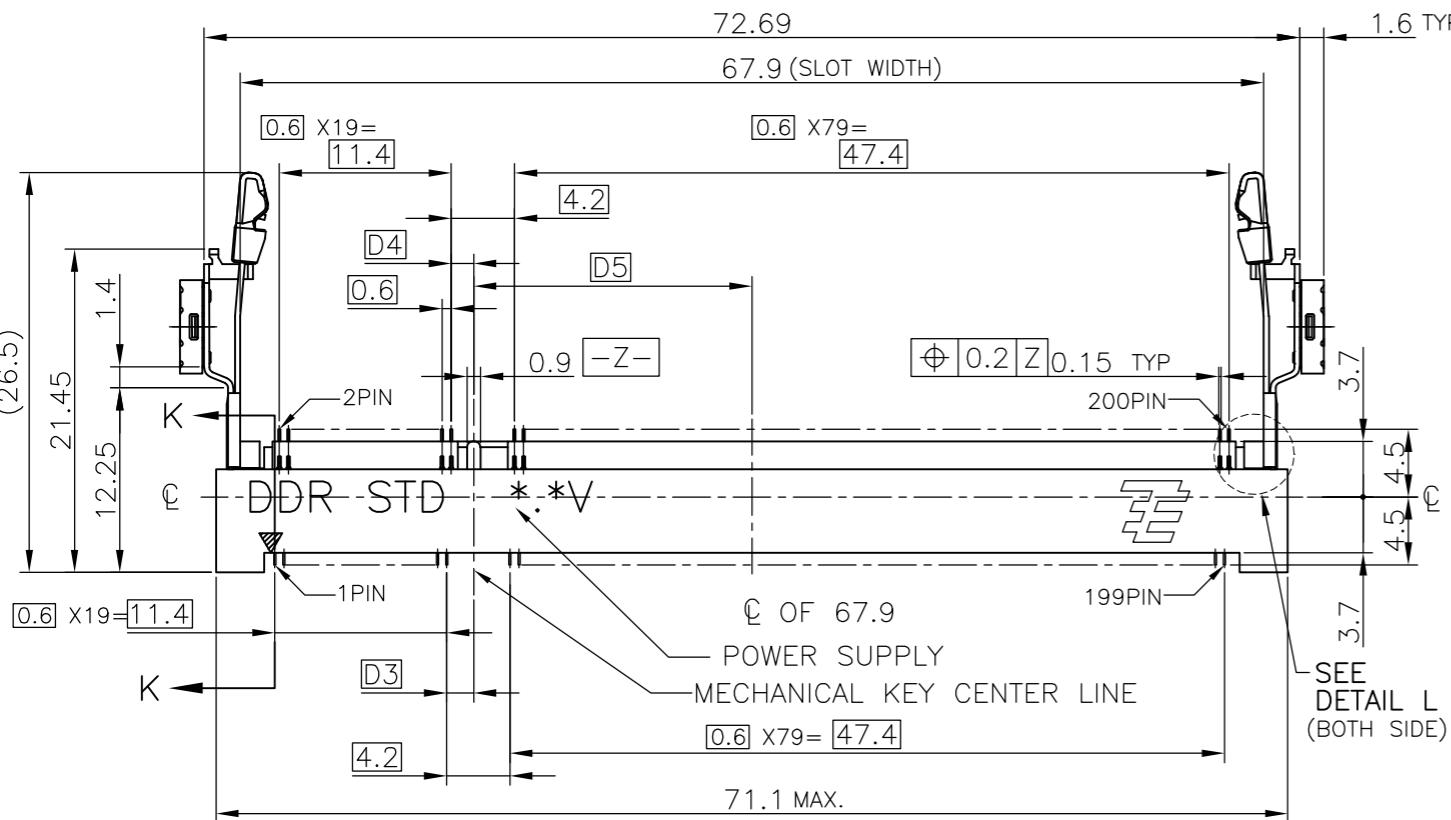


DETAIL L (SCALE 5:1)



(APPLIED TO SHEET 1-2)

- MATERIAL ; HOUSING: HIGH TEMPERATURE THERMO PLASTIC UL94V-0
CONTACT: COPPER ARROY
LOCK LEVER: STAINLESS STEEL
SOLDER PEG: COPPER ARROY
 - FINISH ; CONTACT AREA: GOLD FLASH ON 0.0013MIN ALL OVER NICKEL.
SOLDERING AREA: GOLD FLASH PLT.
SOLDER PEG: TIN PLATING.
- MECHANICAL KEY POSITION OF CONNECTOR SEE TABLE.
 - TOLERANCES NON-CUMULATIVE.
 - COPLANARITY : 0.1 MAX.
 - THE FLOATING VALUE BY SOLDERING IS NOT INCLUDED.
 - NOT MATING CONDITION.
 - IF THE MODULE DOESN'T INSERT AND LOCK IN THE LATCH SMOOTHLY, OPEN WIDE BOTH LATCHES BY MANUAL. AND THE MODULE MUST BE INSERTED AND LOCKED IN THE LATCH.



GENERAL TOLERANCE

10 ≥ : ±0.2
 30 ≥ > 10: ±0.25
 100 ≥ > 30: ±0.3
 ANGLES: ±3°

AVAILABLE	1.8V (DDR2)	17.55	2.4	2.7	200	1612619-4
AVAILABLE	2.5V (DDR1)	18.45	1.5	1.8	200	1612619-1
TOOLING STATUS	POWER SUPPLY (TYPE)	D5	D4	D3	POS	PART NO.

THIS DRAWING IS A CONTROLLED DOCUMENT.		DWN	J.TANIGAWA	20NOV02	Tyco Electronics Kawasaki, Japan	
DIMENSIONS: MM		CHK	H.KODAMA	20NOV02	NAME	
TOLERANCES UNLESS OTHERWISE SPECIFIED:		APVD	I.ENOMOTO	20NOV02	DDR1 & DDR2 SODIMM SOCKET	
0 PLC ±		PRODUCT SPEC		0.6mm PITCH 200POS		
1 PLC ±		108-5701		8mm HEIGHT STANDARD TYPE		
2 PLC ±		APPLICATION SPEC		SIZE	CAGE CODE	DRAWING NO
3 PLC ±		WEIGHT		A3	00779	1612619
4 PLC ±		CUSTOMER DRAWING		RESTRICTED TO		
ANGLES ±		SCALE		2:1		
FINISH		SHEET		1 OF 4		
MATERIAL		REV		E1		

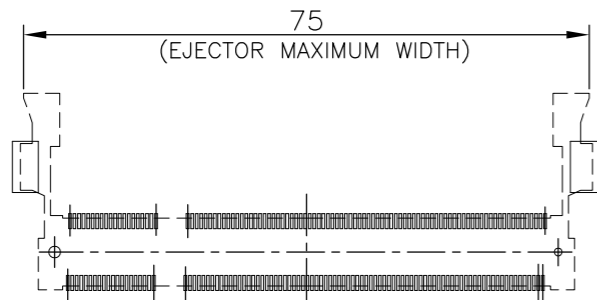
THIS DRAWING IS UNPUBLISHED.

RELEASED FOR PUBLICATION

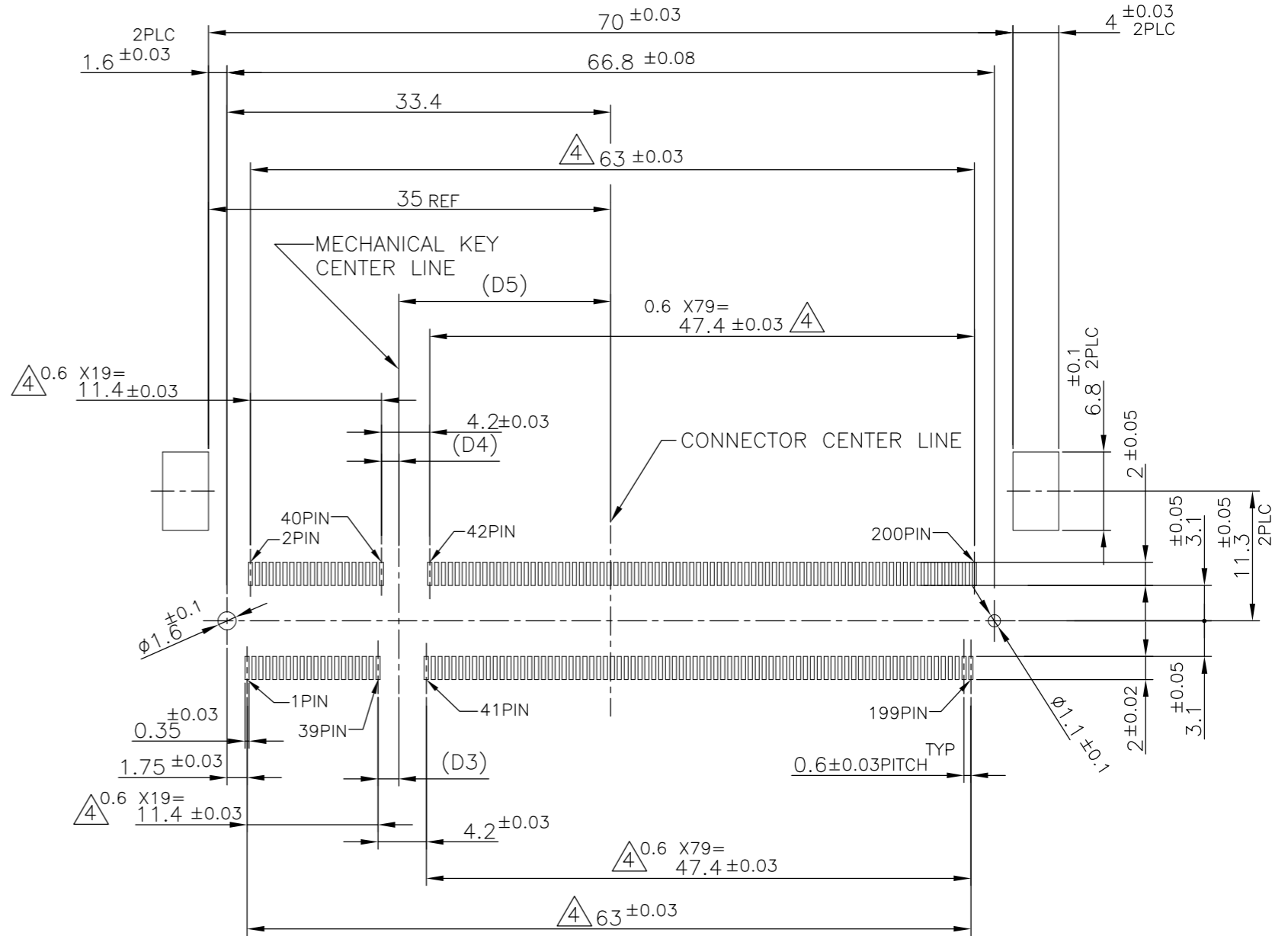
NOV ,2002.

© COPYRIGHT 2002 BY TYCO ELECTRONICS CORPORATION. ALL RIGHTS RESERVED.

LOC	DIST	REVISIONS			
P	LTR	DESCRIPTION	DATE	DWN	APVD
J		SEE SHEET 1	-	-	-



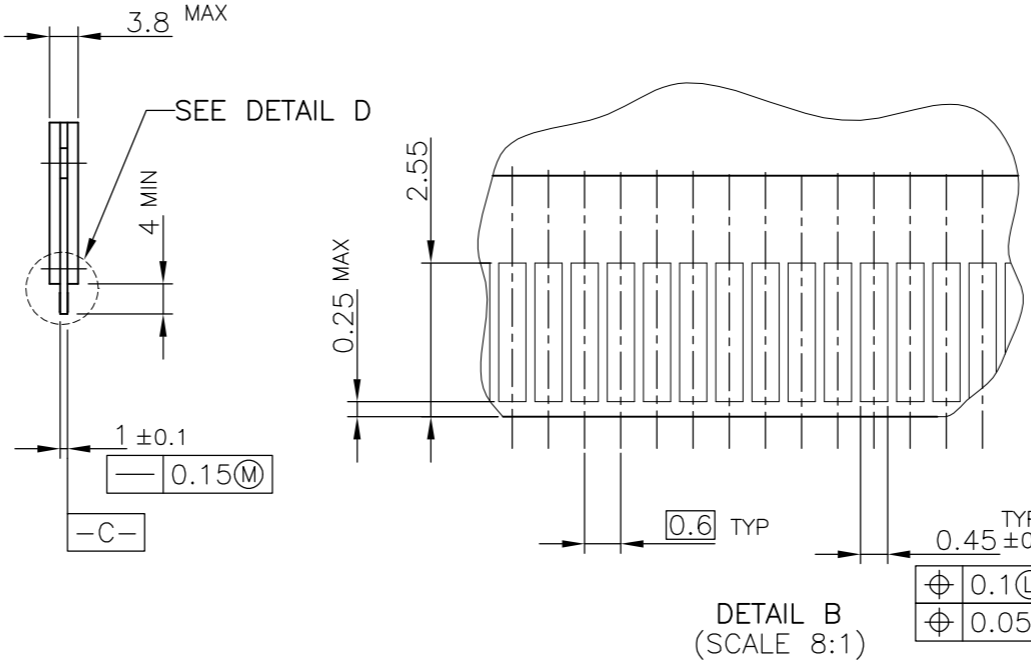
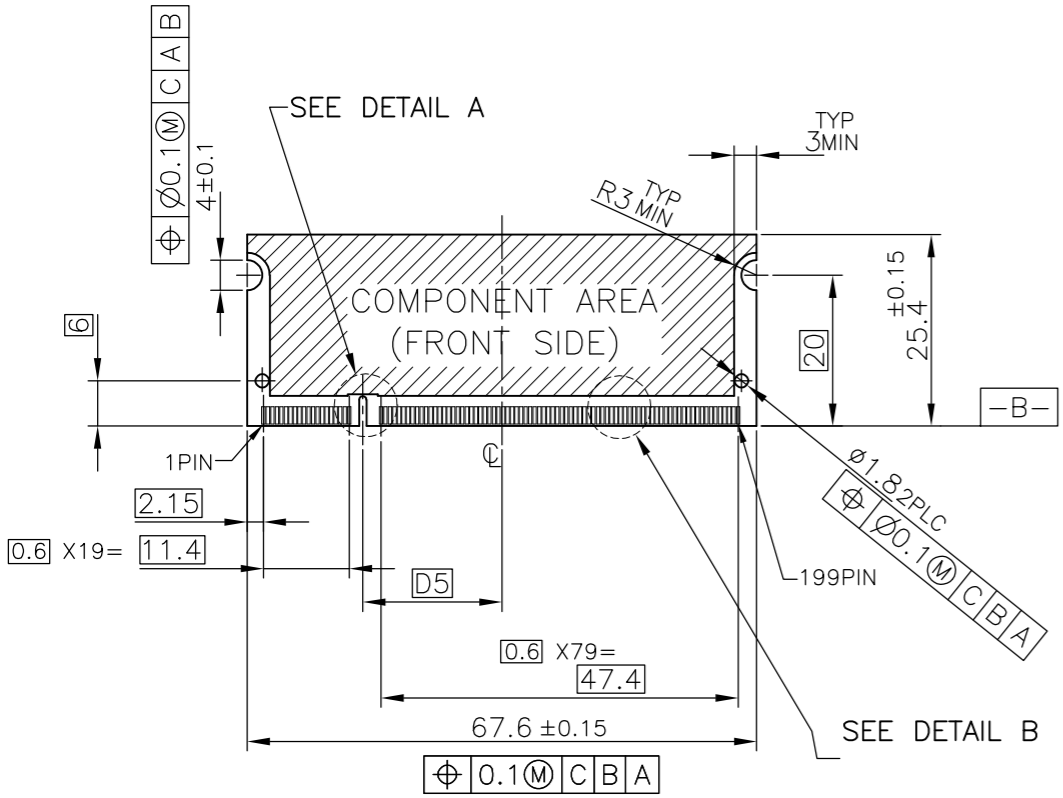
REAL SIZE (SCALE 1:1)



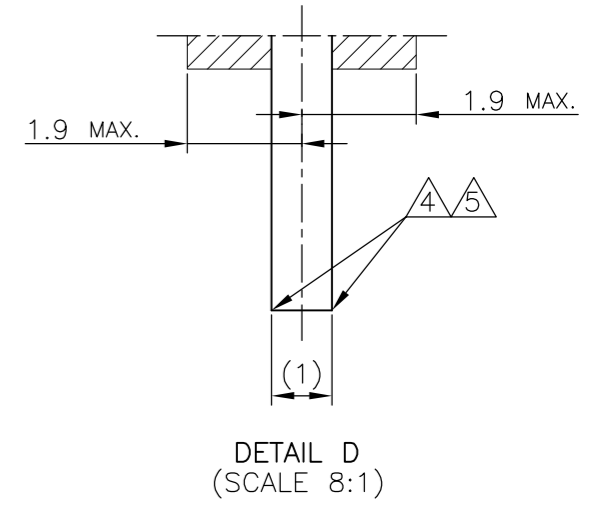
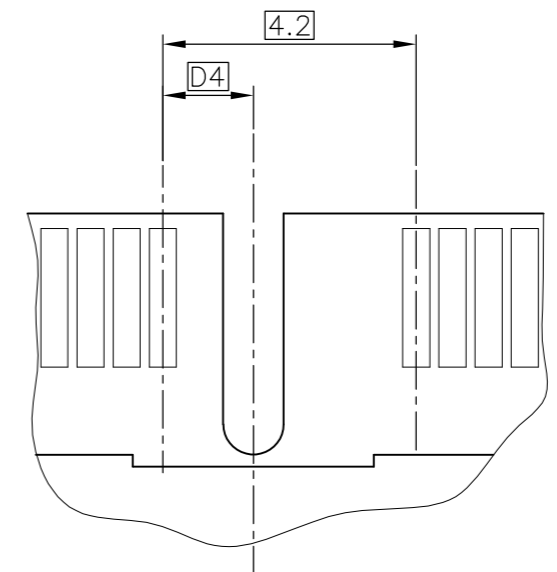
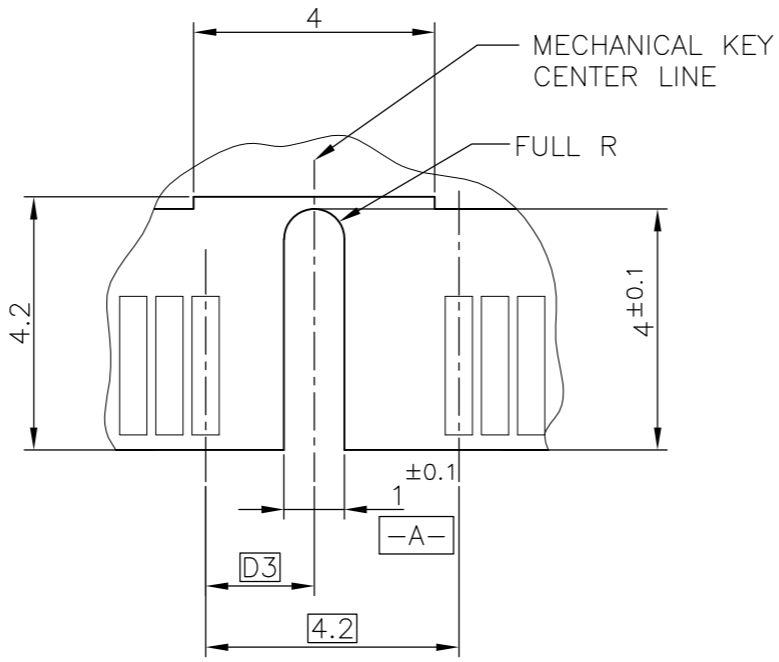
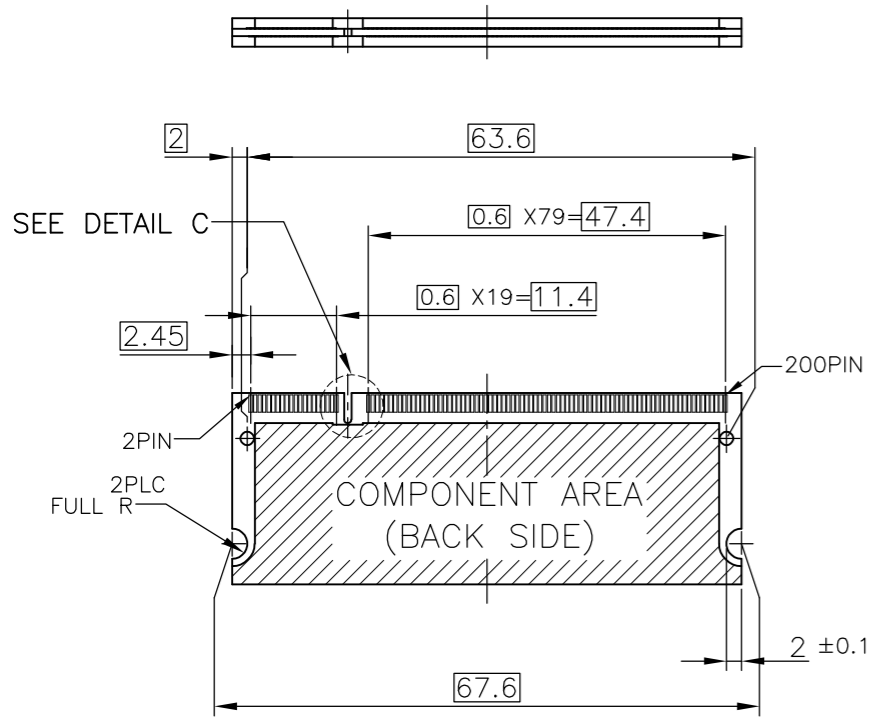
REFERENCE P.C.BOARD PATTERN LAYOUT FOR DUAL USE (CONNECTOR MOUNTING SIDE)

THIS DRAWING IS A CONTROLLED DOCUMENT.		DWN	Tyco Electronics Tyco Electronics AMP K.K. Kawasaki, Japan		
DIMENSIONS: MM		CHK	NAME		
TOLERANCES UNLESS OTHERWISE SPECIFIED:		APVD	DDR1 & DDR2 SODIMM SOCKET 0.6mm PITCH 200POS 8mm HEIGHT STANDARD TYPE		
0 PLC ±		PRODUCT SPEC	SIZE	CAGE CODE	DRAWING NO
1 PLC ±		APPLICATION SPEC	A3	00779	1612619
2 PLC ±		WEIGHT	RESTRICTED TO		
3 PLC ±		CUSTOMER DRAWING	SCALE	SHEET	REV
4 PLC ±			2:1	2 OF 4	E1
ANGLES ±					
FINISH					

LOC	DIST	REVISIONS					
J		P	LTR	DESCRIPTION	DATE	DWN	APVD
		-	-	SEE SHEET 1	-	-	-



- (APPLIED TO SHEET 3)
1. TOLERANCES ON ALL DIMENSIONS ±0.15 UNLESS OTHERWISE SPECIFIED.
 2. P.C.BOARD THICKNESS APPLIES ACROSS TABS AND INCLUDES PLATING AND/OR METALIZATION.
 3. FINISH OF PAD : GOLD PLATING 0.00076 MIN. OVER Ni PLATING 0.002MIN.
- △ NO BURR.
- △ CHAMFER 0.25 MAX x 45° IF EXIST.



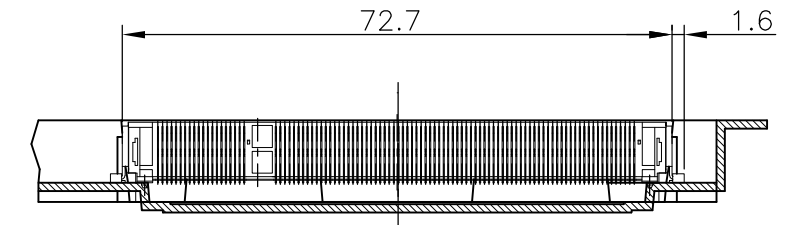
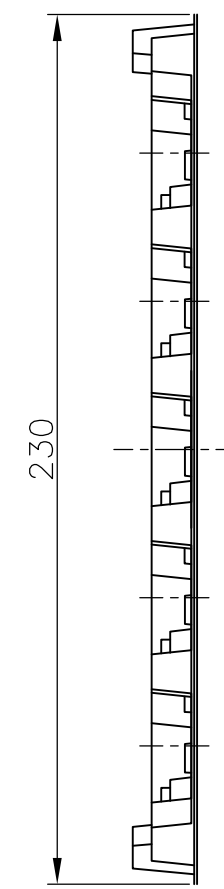
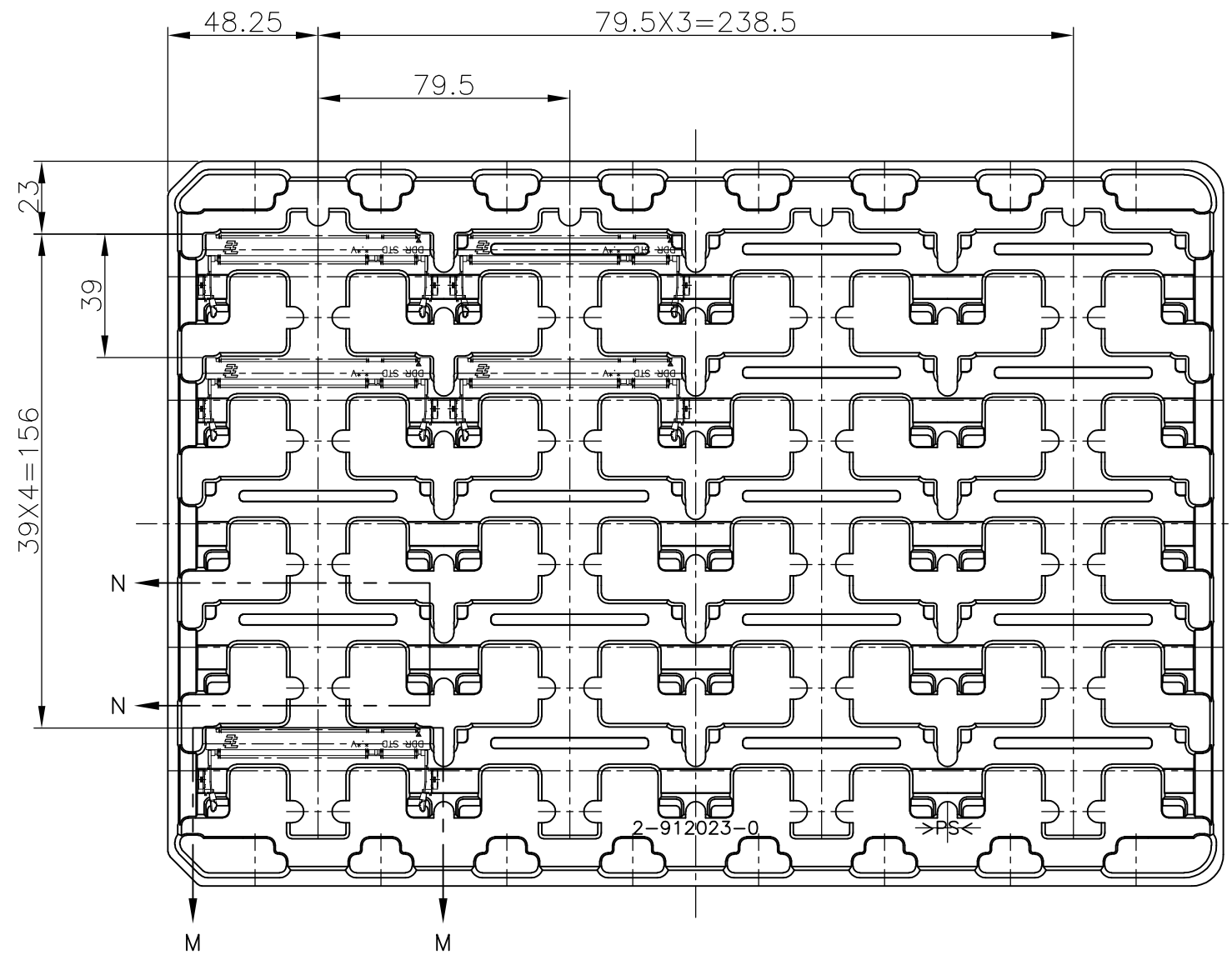
推奨基板仕様
RECOMMENDED MATING P.C.B CONFIGURATION

1.8V	17.55	2.4	2.7
2.5V	18.45	1.5	1.8
POWER SUPPLY	D5	D4	D3

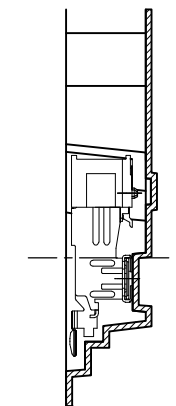
THIS DRAWING IS A CONTROLLED DOCUMENT.		DWN	Tyco Electronics		Tyco Electronics AMP K.K. Kawasaki, Japan	
DIMENSIONS: MM		CHK	NAME			
TOLERANCES UNLESS OTHERWISE SPECIFIED:		APVD	DDR1 & DDR2 SODIMM SOCKET 0.6mm PITCH 200POS 8mm HEIGHT STANDARD TYPE			
0 PLC ±		PRODUCT SPEC	SIZE	CAGE CODE	DRAWING NO	RESTRICTED TO
1 PLC ±		APPLICATION SPEC	A3	00779	C-1612619	
2 PLC ±		WEIGHT	CUSTOMER DRAWING			
3 PLC ±			SCALE	SHEET	OF	REV
4 PLC ±			2:1	3	4	E1
ANGLES ±						
FINISH						

THIS DRAWING IS UNPUBLISHED. RELEASED FOR PUBLICATION NOV , 2002.
 © COPYRIGHT 2002 BY TYCO ELECTRONICS CORPORATION. ALL RIGHTS RESERVED.

LOC	DIST	REVISIONS			
P	LTR	DESCRIPTION	DATE	DWN	APVD
J		SEE SHEET 1	-	-	-

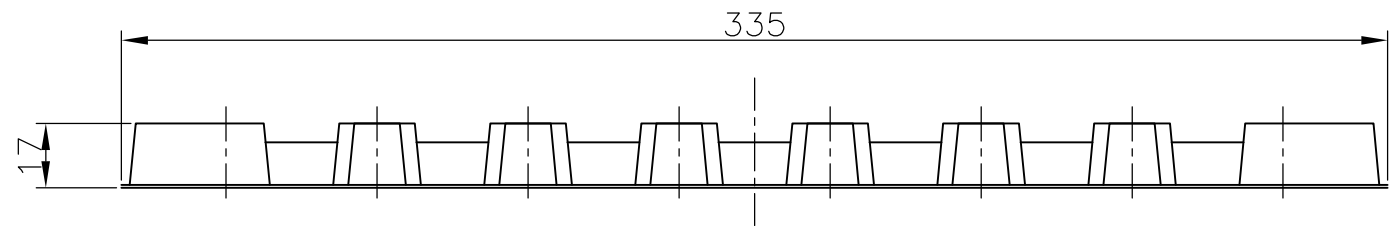


M-M
SCALE 1:1
(180DEG. ROTATE)



N-N
SCALE 1:1

1. THE DIRECTION OF EACH CONNECTOR ON A TRAY IS REFERRED TO THIS DRAWING.
2. GENERAL TOLERANCE: ±0.5



20EA/TRAY	1612619-4
20EA/TRAY	1612619-1
QTY	P/N

THIS DRAWING IS A CONTROLLED DOCUMENT.		DWN	Tyco Electronics Tyco Electronics AMP K.K. Kawasaki, Japan			
DIMENSIONS: MM		CHK				
TOLERANCES UNLESS OTHERWISE SPECIFIED:		APVD	NAME			
0 PLC ± 0.5		PRODUCT SPEC	DDR1 & DDR2 SODIMM SOCKET			
1 PLC ± 0.5		APPLICATION SPEC	0.6mm PITCH 200POS			
2 PLC ± 0.5		WEIGHT	SIZE	CAGE CODE	DRAWING NO	RESTRICTED TO
3 PLC ± 0.5			A3	00779	C-1612619	
4 PLC ± 0.5		CUSTOMER DRAWING		SCALE	SHEET	REV
ANGLES ± 3'				1:2	4 OF 4	E1
FINISH						