



Chipsmall Limited consists of a professional team with an average of over 10 year of expertise in the distribution of electronic components. Based in Hongkong, we have already established firm and mutual-benefit business relationships with customers from,Europe,America and south Asia,supplying obsolete and hard-to-find components to meet their specific needs.

With the principle of "Quality Parts,Customers Priority,Honest Operation,and Considerate Service",our business mainly focus on the distribution of electronic components. Line cards we deal with include Microchip,ALPS,ROHM,Xilinx,Pulse,ON,Everlight and Freescale. Main products comprise IC,Modules,Potentiometer,IC Socket,Relay,Connector.Our parts cover such applications as commercial,industrial, and automotives areas.

We are looking forward to setting up business relationship with you and hope to provide you with the best service and solution. Let us make a better world for our industry!



## Contact us

Tel: +86-755-8981 8866 Fax: +86-755-8427 6832

Email & Skype: info@chipsmall.com Web: www.chipsmall.com

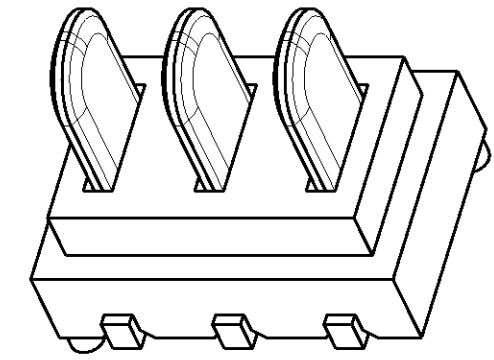
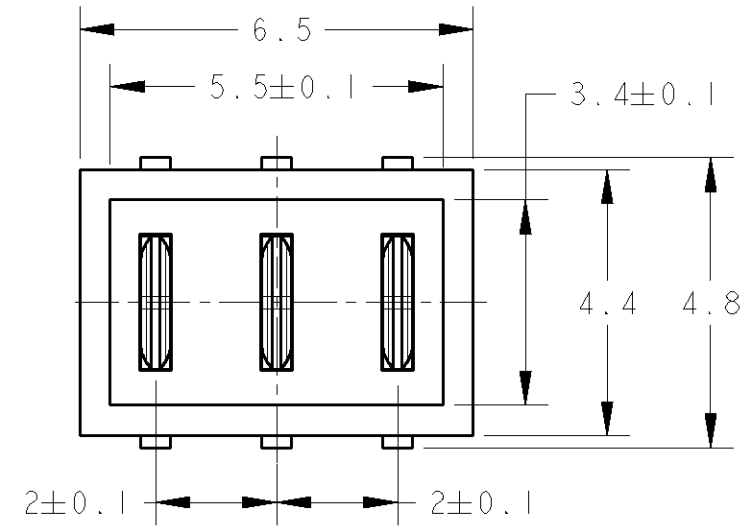
Address: A1208, Overseas Decoration Building, #122 Zhenhua RD., Futian, Shenzhen, China



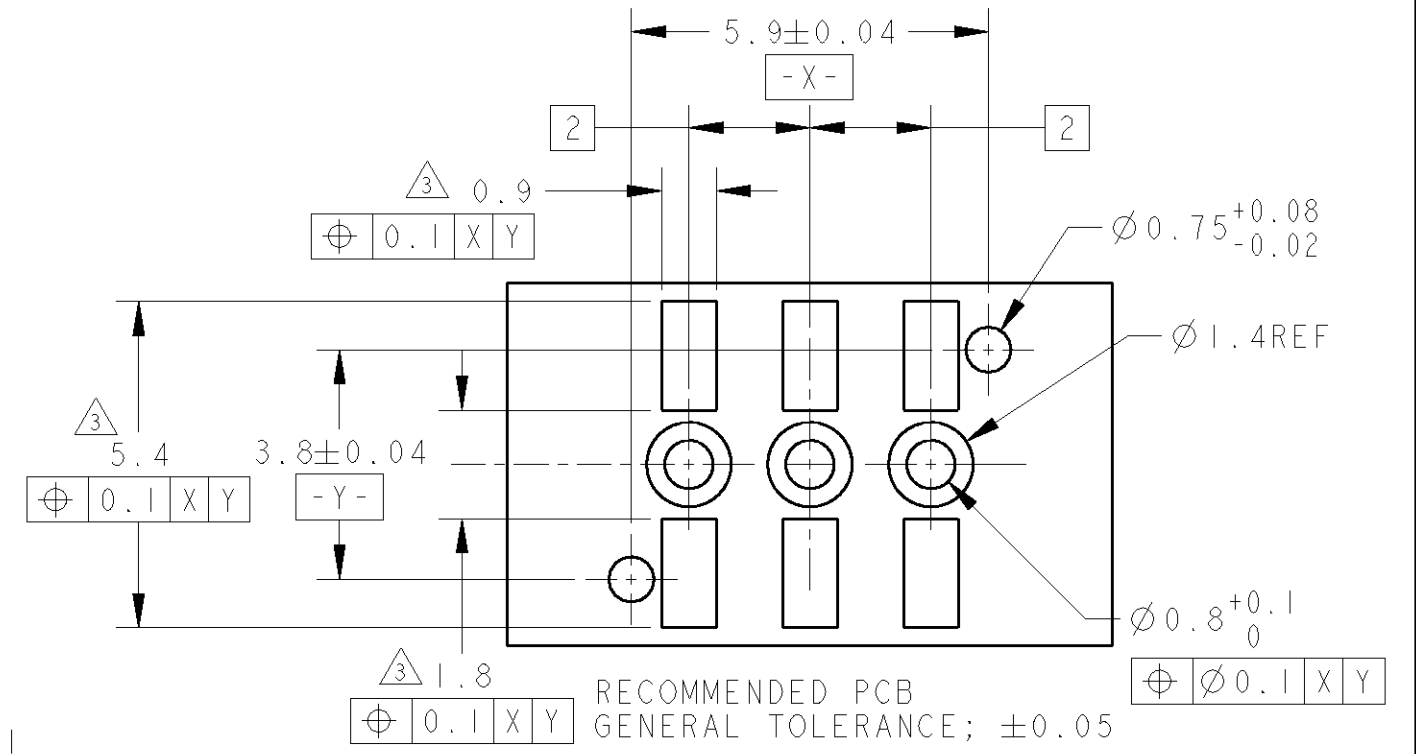
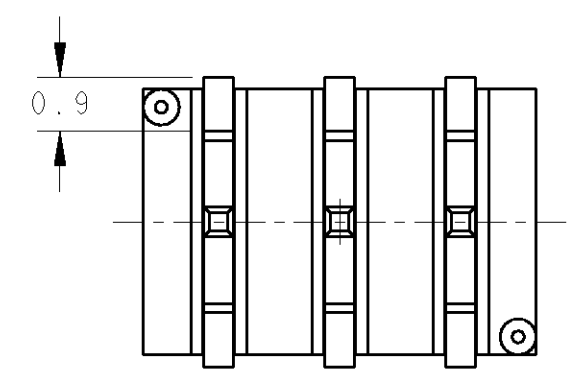
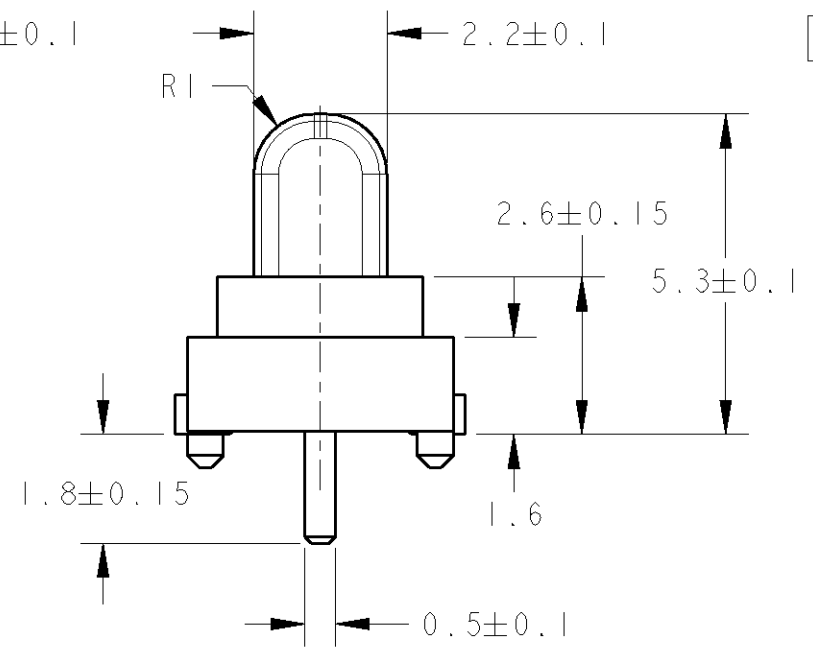
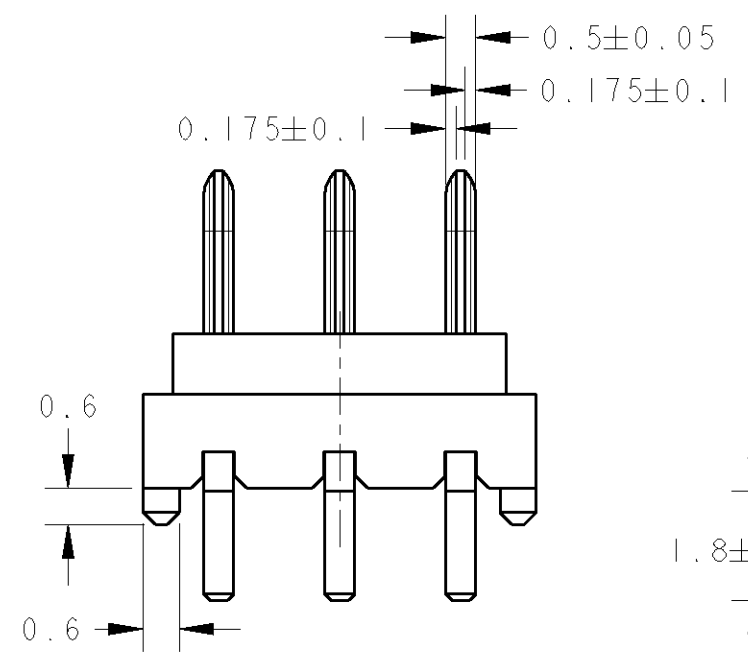
THIS DRAWING IS UNPUBLISHED. RELEASED FOR PUBLICATION 20  
 © COPYRIGHT 20 BY TYCO ELECTRONICS CORPORATION, ALL RIGHTS RESERVED.

LOC	DIST	REVISIONS					
P	LTR	DESCRIPTION	DATE	DWN	APVD		
J	-	0	RELEASED	FJ00-1427-02	25SEP2002	C.O	K.K

- | ; 本図  
 - | ; AS SHOWN



PLUG CONNECTOR



RECOMMENDED PCB GENERAL TOLERANCE; ±0.05

- ① 材料  
 ハウジング; 熱可塑性樹脂, UL 94V-0, 黒  
 コンタクト; 銅合金
- ② 仕上げ  
 コンタクト; 全面ニッケル下地めっき  
 接触部; 金めっき  
 半田付け部; 金フラッシュ
- ③ リフローにて表面実装の場合のみ必要
- ① MATERIAL  
 HOUSING; THERMOPLASTIC RESIN, UL94V-0, BLACK  
 CONTACT; COPPER ALLOY
- ② FINISH  
 CONTACT; ALL OVER Ni UNDER PLATING.  
 CONTACT AREA; GOLD PLATING  
 SOLDERING AREA; GOLD FLASH
- ③ NECESSARY ONLY IN SURFACEMOUNTING BY REFLOW.

THIS DRAWING IS A CONTROLLED DOCUMENT FOR TYCO ELECTRONICS CORPORATION IT IS SUBJECT TO CHANGE AND THE CONTROLLING ENGINEERING ORGANIZATION SHOULD BE CONTACTED FOR THE LATEST REVISION.		DWN C. OHASHI 20SEP2002	Tyco Electronics AMP K.K. Kawasaki, Japan	
DIMENSIONS: mm		CHK K. IKEGAMI 25SEP2002	NAME BATTERY BLOCK CONNECTOR PLUG ASSY 3POS 2MM PITCH	
TOLERANCES UNLESS OTHERWISE SPECIFIED: 0 PLC ±0.2 1 PLC ±0.2 2 PLC ±0.2 3 PLC ±0.2 4 PLC ±0.2 ANGLES ±2		APVD K. KODAIRA 25SEP2002	RESTRICTED TO -	
MATERIAL ①		PRODUCT SPEC 108-5846	SIZE A3	CAGE CODE 00779
FINISH ②		APPLICATION SPEC	DRAWING NO C=1612898	SCALE 8/1
		WEIGHT 0.24g	SHEET 1 OF 1	
		CUSTOMER DRAWING	REV 0	