



Chipsmall Limited consists of a professional team with an average of over 10 year of expertise in the distribution of electronic components. Based in Hongkong, we have already established firm and mutual-benefit business relationships with customers from,Europe,America and south Asia,supplying obsolete and hard-to-find components to meet their specific needs.

With the principle of “Quality Parts,Customers Priority,Honest Operation,and Considerate Service”,our business mainly focus on the distribution of electronic components. Line cards we deal with include Microchip,ALPS,ROHM,Xilinx,Pulse,ON,Everlight and Freescale. Main products comprise IC,Modules,Potentiometer,IC Socket,Relay,Connector.Our parts cover such applications as commercial,industrial, and automotives areas.

We are looking forward to setting up business relationship with you and hope to provide you with the best service and solution. Let us make a better world for our industry!



## Contact us

Tel: +86-755-8981 8866 Fax: +86-755-8427 6832

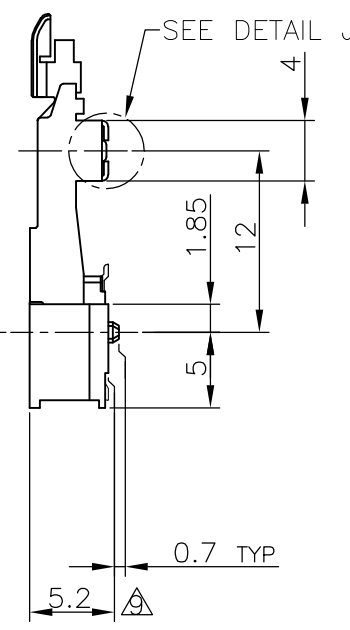
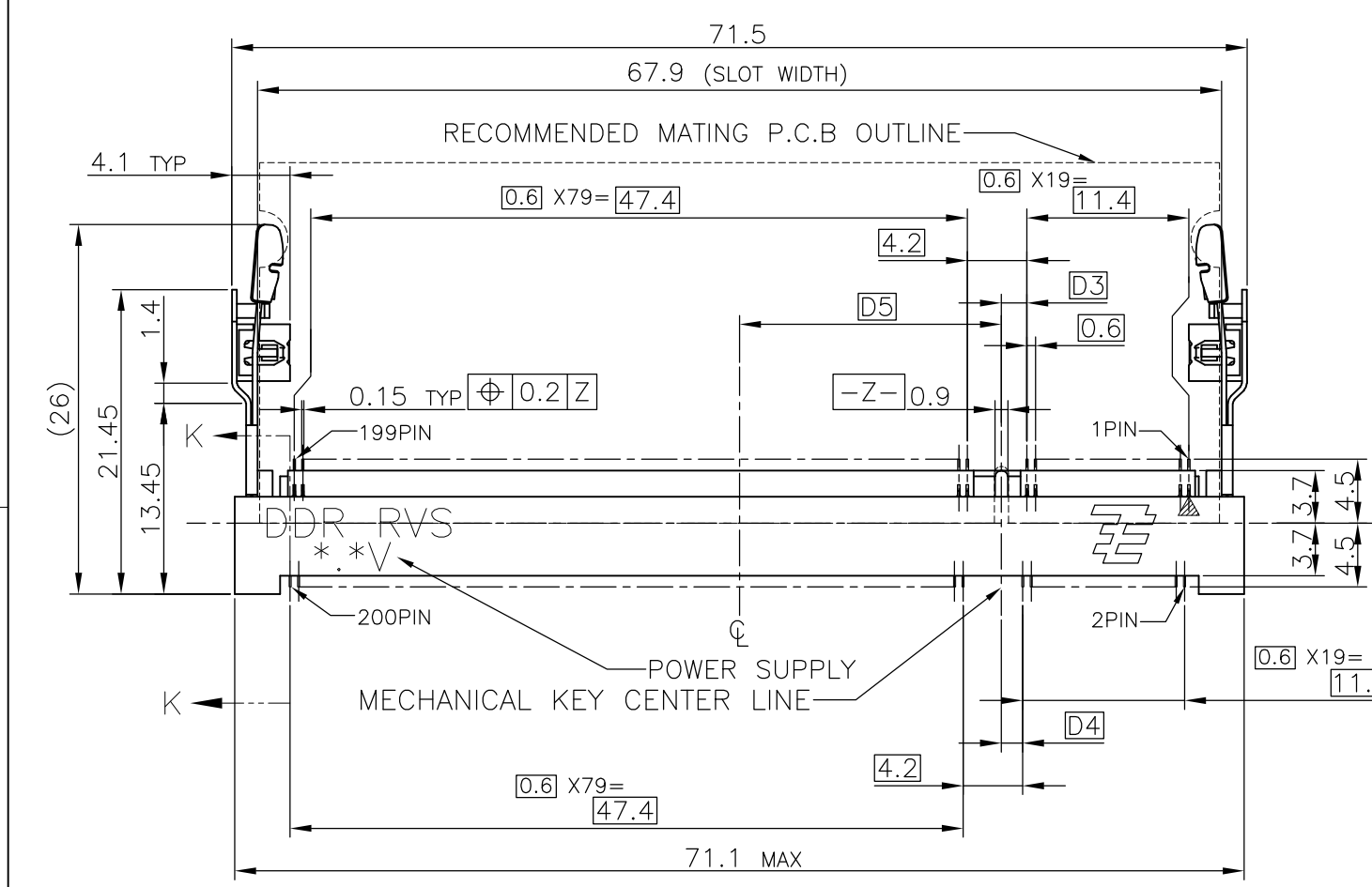
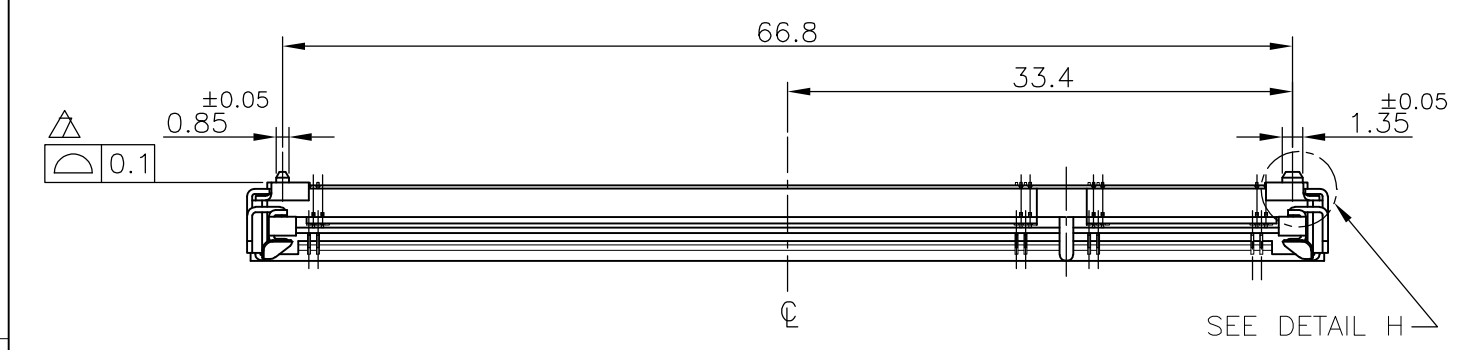
Email & Skype: info@chipsmall.com Web: www.chipsmall.com

Address: A1208, Overseas Decoration Building, #122 Zhenhua RD., Futian, Shenzhen, China

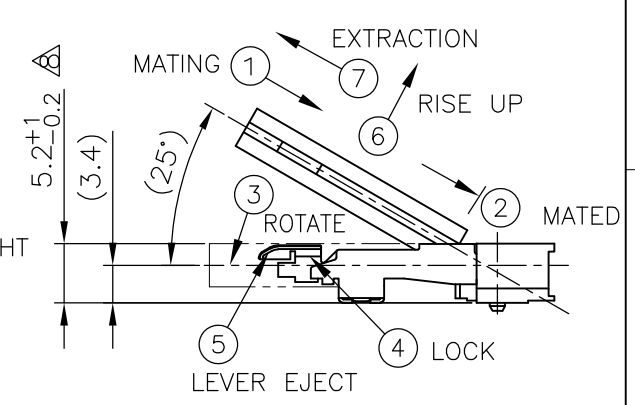
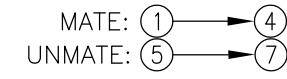


THIS DRAWING IS UNPUBLISHED. RELEASED FOR PUBLICATION NOV ,2001.  
 © COPYRIGHT 2001 BY TYCO ELECTRONICS CORPORATION. ALL RIGHTS RESERVED.

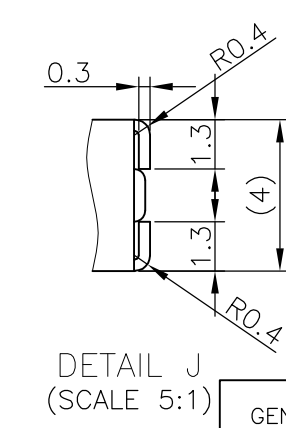
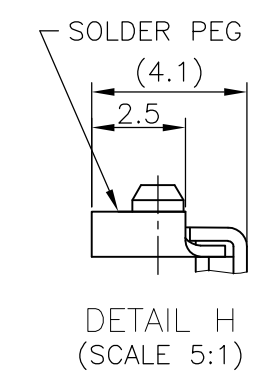
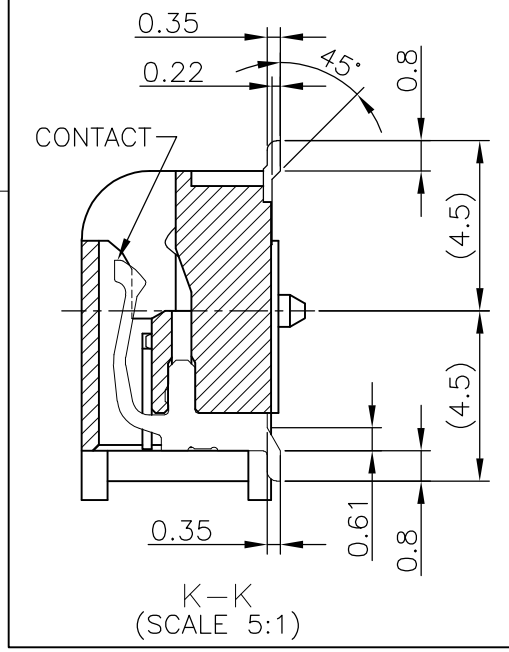
LOC	DIST	REVISIONS			
P	LTR	DESCRIPTION	DATE	DWN	APVD
J		D1	ECR-10-014776	20JUL10	B.W S.Y



HOW TO MATE AND UNMATE



- (APPLIED TO SHEET 1-2)
- MATERIAL ; HOUSING: HIGH TEMPERATURE THERMO PLASTIC UL94V-0  
CONTACT: COPPER ARROY  
LOCK LEVER: STAINLESS STEEL  
SOLDER PEG: COPPER ARROY
  - FINISH ; CONTACT AREA: GOLD FLASH ON 0.0013MIN ALL OVER NICKEL.  
SOLDERING AREA: GOLD FLASH PLT.  
SOLDER PEG: TIN PLATING.
- ⊕ MECHANICAL KEY POSITION OF CONNECTOR SEE TABLE.
  - ⊕ TOLERANCES NON-CUMULATIVE.
  - ⊕ NOT TO SCALE.
  - ⊕ [ ] INSIDE MUST BE RESIST COAT EXCEPT SOLDER PATTERN.
  - ⊕ COPLANARITY : 0.1 MAX.
  - ⊕ THE FLOATING VALUE BY SOLDERING IS NOT INCLUDED.
  - ⊕ NOT MATING CONDITION.
  - 10 IF THE MODULE DOESN'T INSERT AND LOCK IN THE LATCH SMOOTHLY, OPEN WIDE BOTH LATCHES BY MANUAL. AND THE MODULE MUST BE INSERTED AND LOCKED IN THE LATCH.

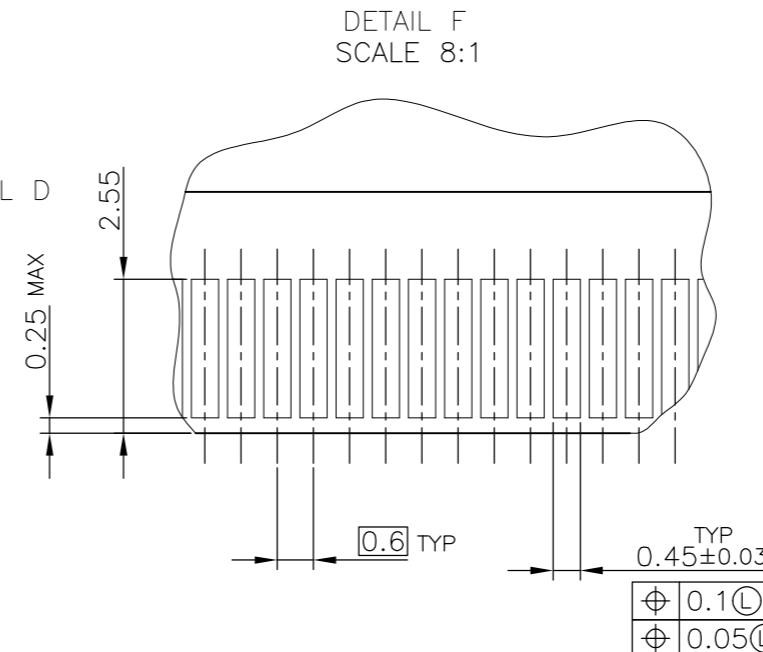
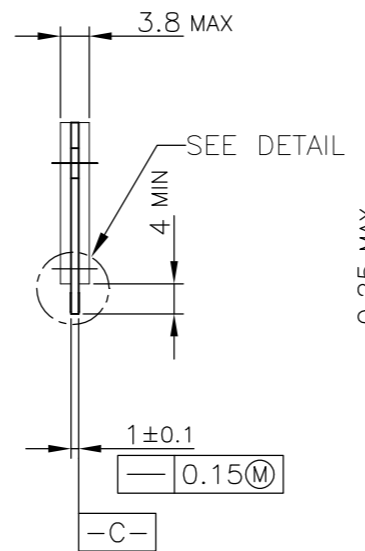
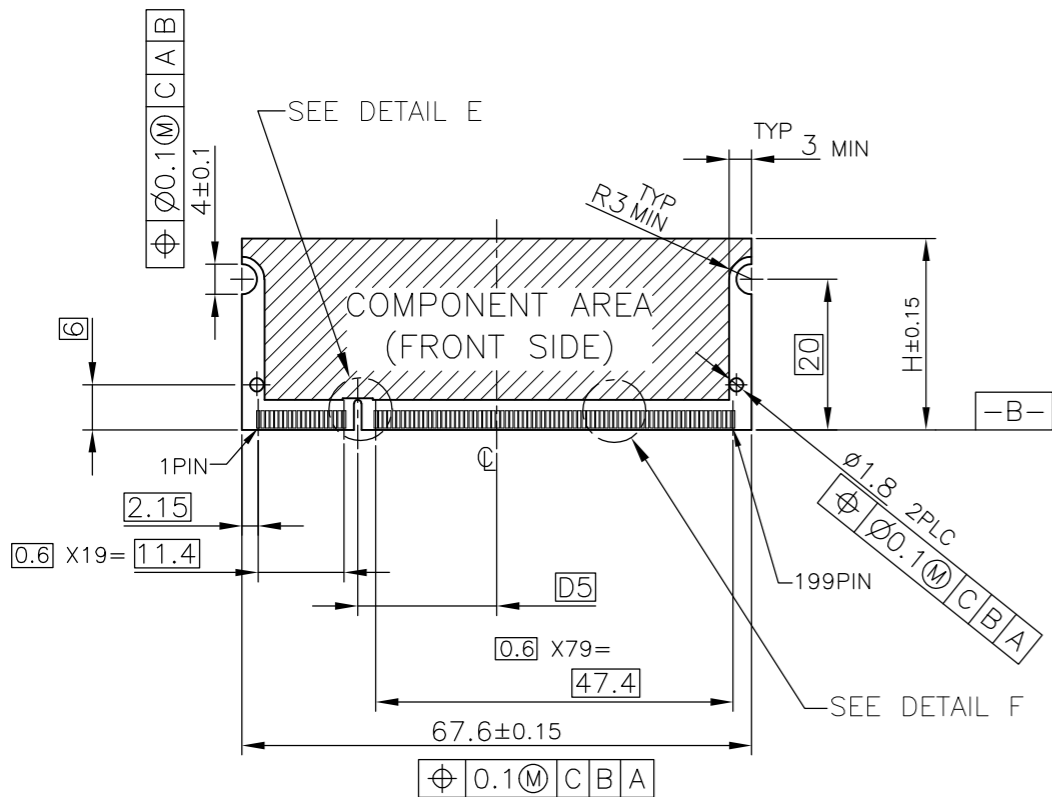


GENERAL TOLERANCE  
 10 ≥ : ±0.2  
 30 ≥ > 10 : ±0.25  
 100 ≥ > 30 : ±0.3  
 ANGLES : ±3°

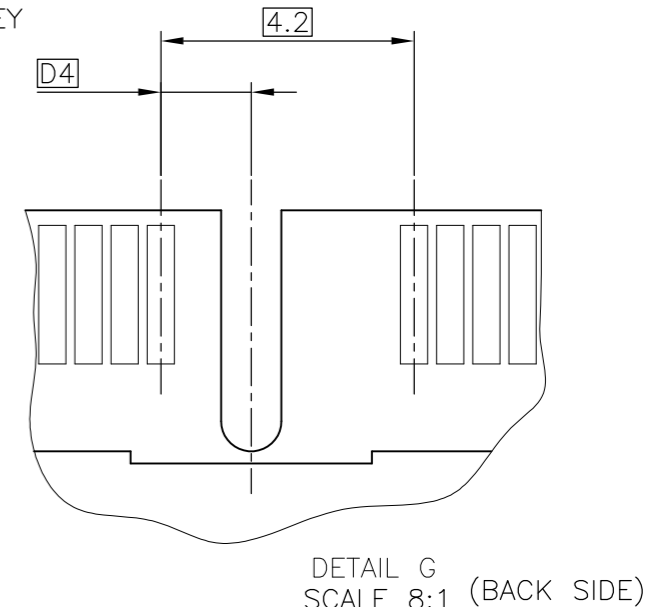
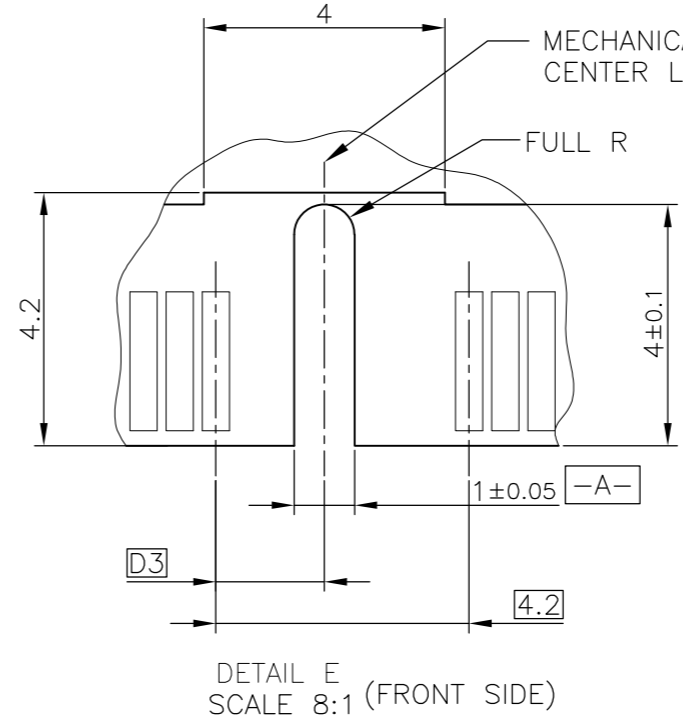
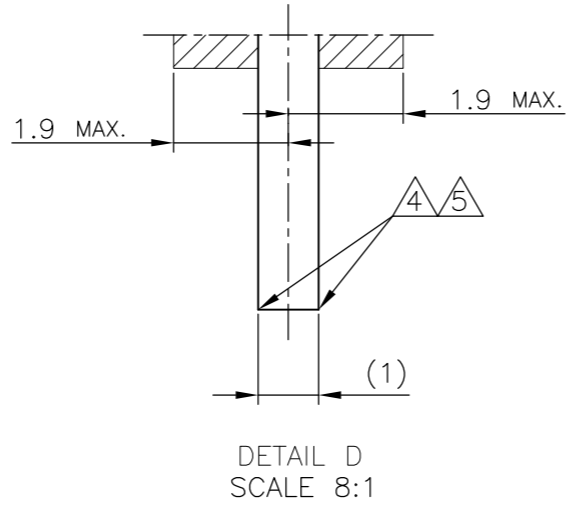
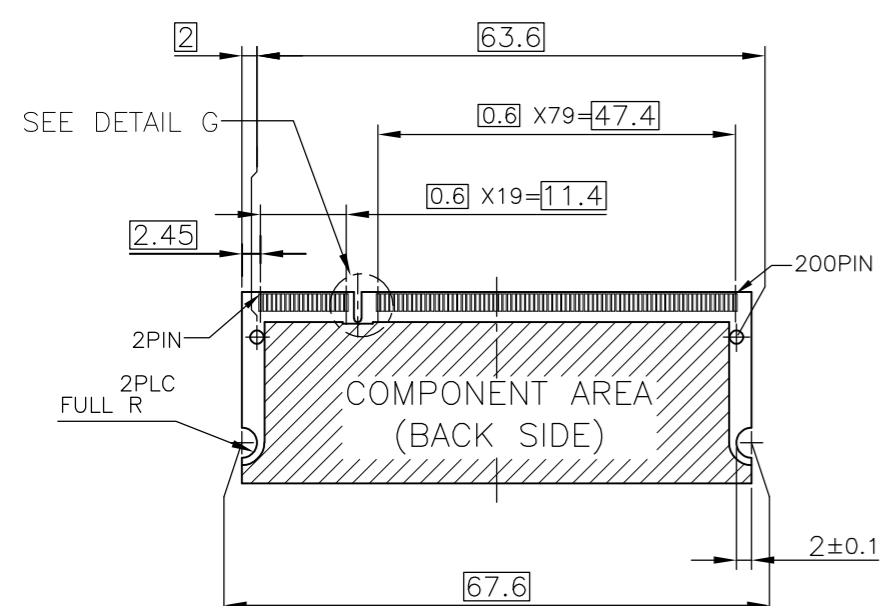
AVAILABLE	—H—	2.5V (DDR1)	18.45	1.5	1.8	200	1612923-1
TOOLING STATUS	REMARK	POWER SUPPLY (TYPE)	D5	D4	D3	POS	PART NO.
THIS DRAWING IS A CONTROLLED DOCUMENT.		DWN B.WONG 20JUL10	Tyco Electronics AMP K.K. Kawasaki, Japan				
DIMENSIONS: MM		CHK C.WANG 20JUL10					
TOLERANCES UNLESS OTHERWISE SPECIFIED:		APVD S.YAO 20JUL10					
0 PLC ± 1 PLC ± 2 PLC ± 3 PLC ± 4 PLC ± ANGLES ± FINISH ±		NAME					
MATERIAL		PRODUCT SPEC 108-5701	DDR1 & DDR2 SODIMM SOCKET 0.6mm PITCH 200POS STANDARD PROFILE REVERSE TYPE				
		APPLICATION SPEC	SIZE A3	CAGE CODE 00779	DRAWING NO C-1612923	RESTRICTED TO	
		WEIGHT 4.7g	CUSTOMER DRAWING		SCALE 2:1	SHEET 1 OF 4	REV D1



LOC		DIST		REVISIONS					
J				P	LTR	DESCRIPTION	DATE	DWN	APVD
				-	-	SEE SHEET 1	-	-	-



- (APPLIED TO SHEET 3)
1. TOLERANCES ON ALL DIMENSIONS ±0.15 UNLESS OTHERWISE SPECIFIED.
  2. P.C. BOARD THICKNESS APPLIES ACROSS TABS AND INCLUDES PLATING AND/OR METALIZATION.
  3. FINISH OF PAD : GOLD PLATING 0.00076 MIN. OVER Ni PLATING 0.002MIN.
- △ NO BURR
- △ CHAMFER 0.25 MAX x 45° IF EXIST.



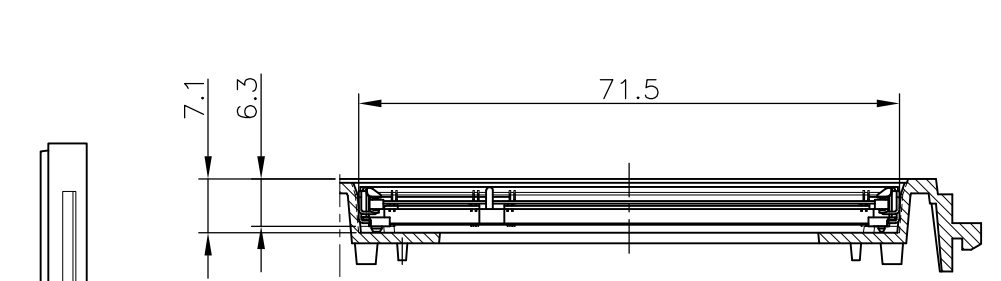
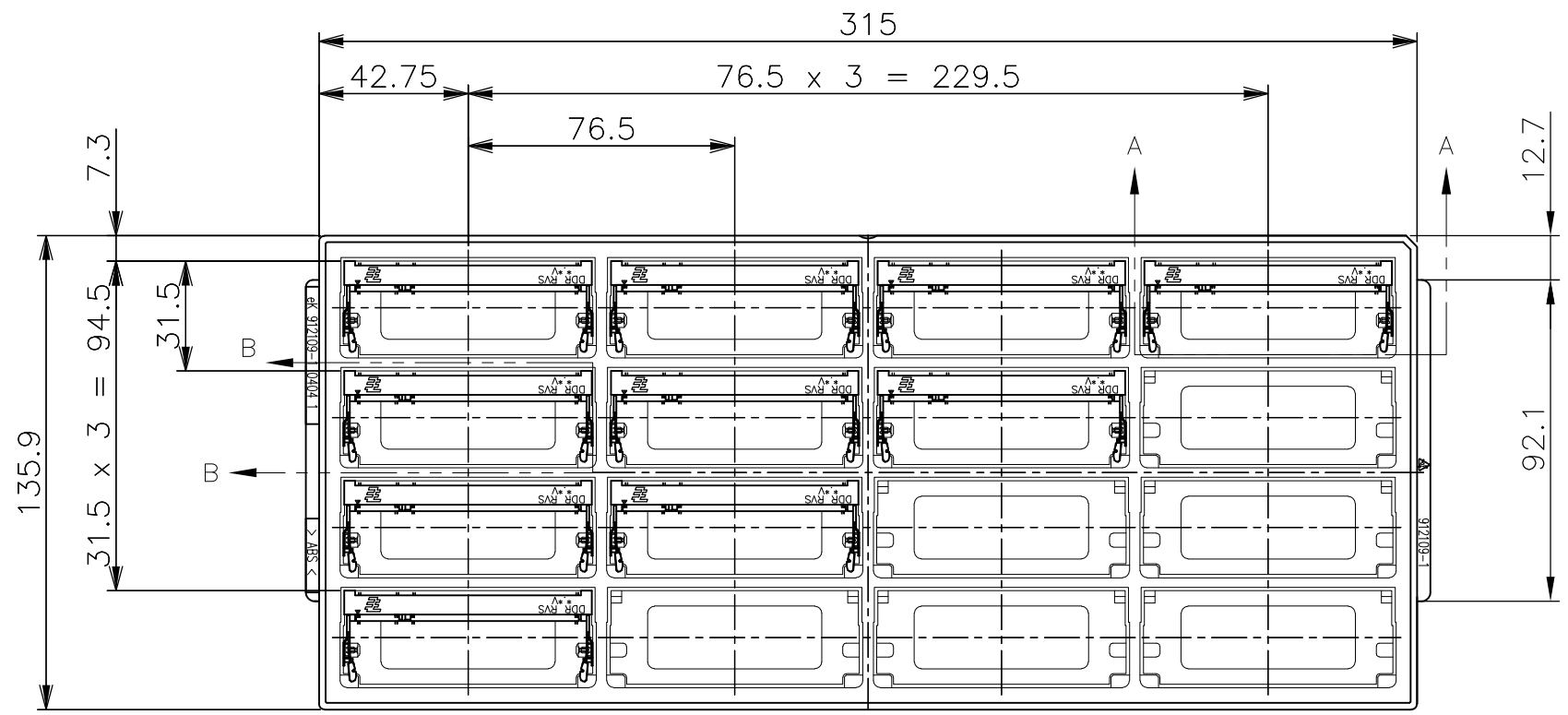
RECOMMENDED MATING P.C.B CONFIGURATION

31.75	1.8V	17.55	2.4	2.7
25.4	2.5V	18.45	1.5	1.8
H	POWER SUPPLY	D5	D4	D3

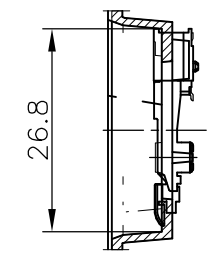
THIS DRAWING IS A CONTROLLED DOCUMENT.		DWN		Tyco Electronics		Tyco Electronics AMP K.K.	
DIMENSIONS: MM		CHK		NAME		Kawasaki, Japan	
TOLERANCES UNLESS OTHERWISE SPECIFIED:		APVD		PRODUCT SPEC		DDR1 & DDR2 SODIMM SOCKET	
0 PLC ±		PRODUCT SPEC		APPLICATION SPEC		0.6mm PITCH 200POS	
1 PLC ±		WEIGHT		SIZE		STANDARD PROFILE REVERSE TYPE	
2 PLC ±		CUSTOMER DRAWING		CAGE CODE		RESTRICTED TO	
3 PLC ±		SCALE 2:1		DRAWING NO		SHEET 3 OF 4	
4 PLC ±		SHEET 3 OF 4		A3 00779 C-1612923		REV D1	
ANGLES ±		REV D1					
FINISH							

THIS DRAWING IS UNPUBLISHED. RELEASED FOR PUBLICATION NOV ,2001.  
 © COPYRIGHT 2001 BY TYCO ELECTRONICS CORPORATION. ALL RIGHTS RESERVED.

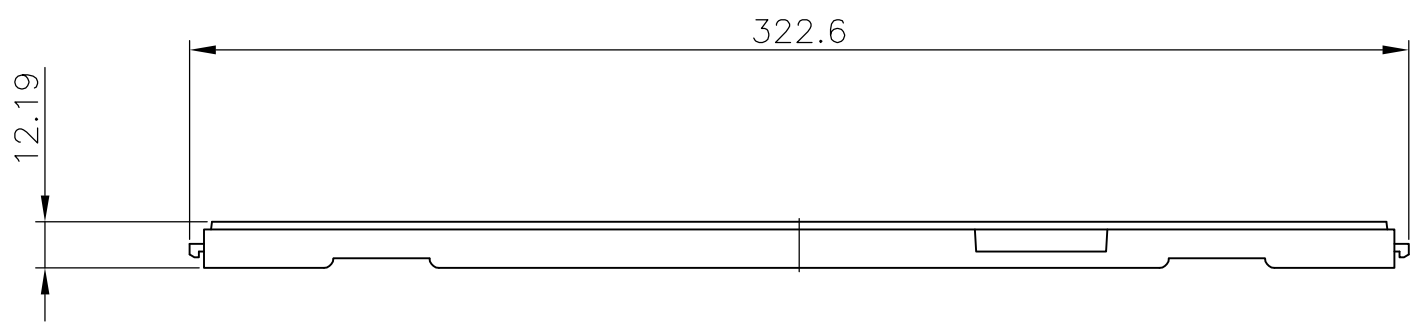
LOC	DIST	REVISIONS			
P	LTR	DESCRIPTION	DATE	DWN	APVD
		SEE SHEET 1	-	-	-



A-A  
SCALE 1:1



B-B  
SCALE 1:1



(APPLIED TO SHEET 4)

1. THE DIRECTION OF EACH CONNECTOR ON A TRAY IS REFERRED TO THIS DRAWING.
2. GENERAL TOLERANCE: ±0.5

16EA/TRAY	1612923-1
QTY	P/N

THIS DRAWING IS A CONTROLLED DOCUMENT.		DWN	Tyco Electronics AMP K.K. Kawasaki, Japan			
DIMENSIONS: MM		CHK				
TOLERANCES UNLESS OTHERWISE SPECIFIED: 0 PLC ± 1 PLC ± 2 PLC ± 3 PLC ± 4 PLC ± ANGLES ± FINISH		APVD	NAME			
MATERIAL		PRODUCT SPEC	DDR1 & DDR2 SODIMM SOCKET			
		APPLICATION SPEC	0.6mm PITCH 200POS			
		WEIGHT	STANDARD PROFILE REVERSE TYPE			
		CUSTOMER DRAWING	SIZE	CAGE CODE	DRAWING NO	RESTRICTED TO
			A3	00779	C-1612923	-
			SCALE	SHEET	OF	REV
			1:2	4	4	D1