



Chipsmall Limited consists of a professional team with an average of over 10 year of expertise in the distribution of electronic components. Based in Hongkong, we have already established firm and mutual-benefit business relationships with customers from,Europe,America and south Asia,supplying obsolete and hard-to-find components to meet their specific needs.

With the principle of “Quality Parts,Customers Priority,Honest Operation,and Considerate Service”,our business mainly focus on the distribution of electronic components. Line cards we deal with include Microchip,ALPS,ROHM,Xilinx,Pulse,ON,Everlight and Freescale. Main products comprise IC,Modules,Potentiometer,IC Socket,Relay,Connector.Our parts cover such applications as commercial,industrial, and automotives areas.

We are looking forward to setting up business relationship with you and hope to provide you with the best service and solution. Let us make a better world for our industry!



Contact us

Tel: +86-755-8981 8866 Fax: +86-755-8427 6832

Email & Skype: info@chipsmall.com Web: www.chipsmall.com

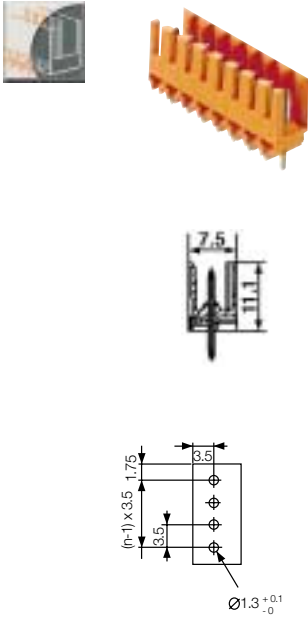
Address: A1208, Overseas Decoration Building, #122 Zhenhua RD., Futian, Shenzhen, China



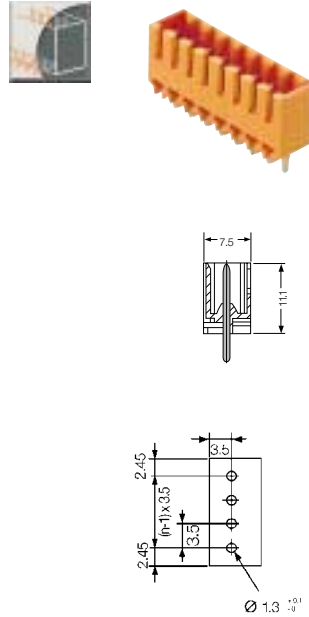
Omnimate Range - 3.50 mm Pitch



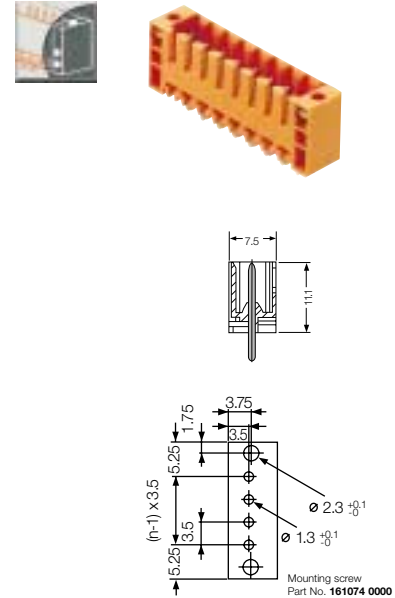
Pin headers SL 3.5/180



Pin headers SL 3.5/180G



Pin headers SL 3.5/180F



Technical data	VDE	UL	CSA
Rated voltage (V)	125*	300	300
Rated current (A)	12	10	10

*Pollution severity 3 / Overvoltage category III
Additional technical data see page 211

Technical data	VDE	UL	CSA
Rated voltage (V)	125*	300	300
Rated current (A)	12	10	10

*Pollution severity 3 / Overvoltage category III
Additional technical data see page 211

Technical data	VDE	UL	CSA
Rated voltage (V)	125*	300	300
Rated current (A)	12	10	10

*Pollution severity 3 / Overvoltage category III
Additional technical data see page 211

Solder pin length	3.2 mm	4.5 mm
Color		

Poles	Type	Part No.	Part No.	Qty.
2	SL 3.5/2/180	1604770000	1614210000	100
3	SL 3.5/3/180	1604780000	1615930000	100
4	SL 3.5/4/180	1604790000	1615940000	100
5	SL 3.5/5/180	1604800000	1615950000	50
6	SL 3.5/6/180	1604810000	1610150000	50
7	SL 3.5/7/180	1604820000	1610160000	50
8	SL 3.5/8/180	1604830000	1614220000	50
9	SL 3.5/9/180	1604840000	1615960000	50
10	SL 3.5/10/180	1604850000	1610170000	50
11	SL 3.5/11/180	1604860000	1615970000	50
12	SL 3.5/12/180	1604870000	1615980000	50
13	SL 3.5/13/180	1604880000	1615990000	50
14	SL 3.5/14/180	1604890000	1616000000	50
15	SL 3.5/15/180	1604900000	1616010000	50
16	SL 3.5/16/180	1604910000	1614230000	50
17	SL 3.5/17/180	1621400000	1618450000	20
18	SL 3.5/18/180	1621410000	1618460000	20
19	SL 3.5/19/180	1621420000	1618470000	20
20	SL 3.5/20/180	1621430000	1618480000	20
21	SL 3.5/21/180	1621440000	1618490000	20
22	SL 3.5/22/180	1621450000	1618500000	20
23	SL 3.5/23/180	1621460000	1618510000	20
24	SL 3.5/24/180	1621470000	1618520000	20

Accessories	Page
Mounting	189
Marking	190
Coding	193
Miscellaneous	-

Solder pin length	3.2 mm	4.5 mm
Color		

Poles	Type	Part No.	Part No.	Qty.
2	SL 3.5/2/180G	1604470000	1614240000	100
3	SL 3.5/3/180G	1604480000	1616020000	100
4	SL 3.5/4/180G	1604490000	1616030000	100
5	SL 3.5/5/180G	1604500000	1616040000	50
6	SL 3.5/6/180G	1604510000	1616050000	50
7	SL 3.5/7/180G	1604520000	1616060000	50
8	SL 3.5/8/180G	1604530000	1614250000	50
9	SL 3.5/9/180G	1604540000	1616070000	50
10	SL 3.5/10/180G	1604550000	1616080000	50
11	SL 3.5/11/180G	1604560000	1616090000	50
12	SL 3.5/12/180G	1604570000	1616100000	50
13	SL 3.5/13/180G	1604580000	1616110000	50
14	SL 3.5/14/180G	1604590000	1616120000	50
15	SL 3.5/15/180G	1604600000	1616130000	50
16	SL 3.5/16/180G	1604610000	1614260000	50
17	SL 3.5/17/180G	1621790000	1618610000	20
18	SL 3.5/18/180G	1621800000	1618620000	20
19	SL 3.5/19/180G	1621810000	1618630000	20
20	SL 3.5/20/180G	1621820000	1618640000	20
21	SL 3.5/21/180G	1621830000	1618650000	20
22	SL 3.5/22/180G	1621840000	1618660000	20
23	SL 3.5/23/180G	1621850000	1618670000	20
24	SL 3.5/24/180G	1621860000	1618680000	20

Accessories	Page
Mounting	189
Marking	190
Coding	193
Miscellaneous	-

Solder pin length	3.2 mm	4.5 mm
Color		

Poles	Type	Part No.	Part No.	Qty.
2	SL 3.5/2/180F	1607500000	1616140000	100
3	SL 3.5/3/180F	1607510000	1616150000	100
4	SL 3.5/4/180F	1607520000	1616160000	100
5	SL 3.5/5/180F	1607530000	1616170000	50
6	SL 3.5/6/180F	1607540000	1616180000	50
7	SL 3.5/7/180F	1607550000	1616190000	50
8	SL 3.5/8/180F	1607560000	1614270000	50
9	SL 3.5/9/180F	1607570000	1616200000	50
10	SL 3.5/10/180F	1607580000	1616210000	50
11	SL 3.5/11/180F	1607590000	1616220000	50
12	SL 3.5/12/180F	1607600000	1616230000	50
13	SL 3.5/13/180F	1607610000	1616240000	50
14	SL 3.5/14/180F	1607620000	1616250000	50
15	SL 3.5/15/180F	1607630000	1616260000	50
16	SL 3.5/16/180F	1607640000	1616270000	50
17	SL 3.5/17/180F	1622180000	1618910000	20
18	SL 3.5/18/180F	1622190000	1618920000	20
19	SL 3.5/19/180F	1622200000	1618930000	20
20	SL 3.5/20/180F	1622210000	1618940000	20
21	SL 3.5/21/180F	1622220000	1618950000	20
22	SL 3.5/22/180F	1622230000	1618960000	20
23	SL 3.5/23/180F	1622240000	1618970000	20
24	SL 3.5/24/180F	1622250000	1618980000	20

Accessories	Page
Mounting	188, 189
Marking	190
Coding	193
Miscellaneous	-