



Chipsmall Limited consists of a professional team with an average of over 10 year of expertise in the distribution of electronic components. Based in Hongkong, we have already established firm and mutual-benefit business relationships with customers from,Europe,America and south Asia,supplying obsolete and hard-to-find components to meet their specific needs.

With the principle of “Quality Parts,Customers Priority,Honest Operation,and Considerate Service”,our business mainly focus on the distribution of electronic components. Line cards we deal with include Microchip,ALPS,ROHM,Xilinx,Pulse,ON,Everlight and Freescale. Main products comprise IC,Modules,Potentiometer,IC Socket,Relay,Connector.Our parts cover such applications as commercial,industrial, and automotives areas.

We are looking forward to setting up business relationship with you and hope to provide you with the best service and solution. Let us make a better world for our industry!



Contact us

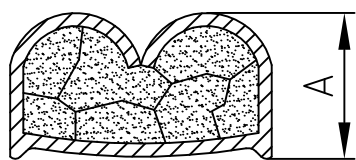
Tel: +86-755-8981 8866 Fax: +86-755-8427 6832

Email & Skype: info@chipsmall.com Web: www.chipsmall.com

Address: A1208, Overseas Decoration Building, #122 Zhenhua RD., Futian, Shenzhen, China

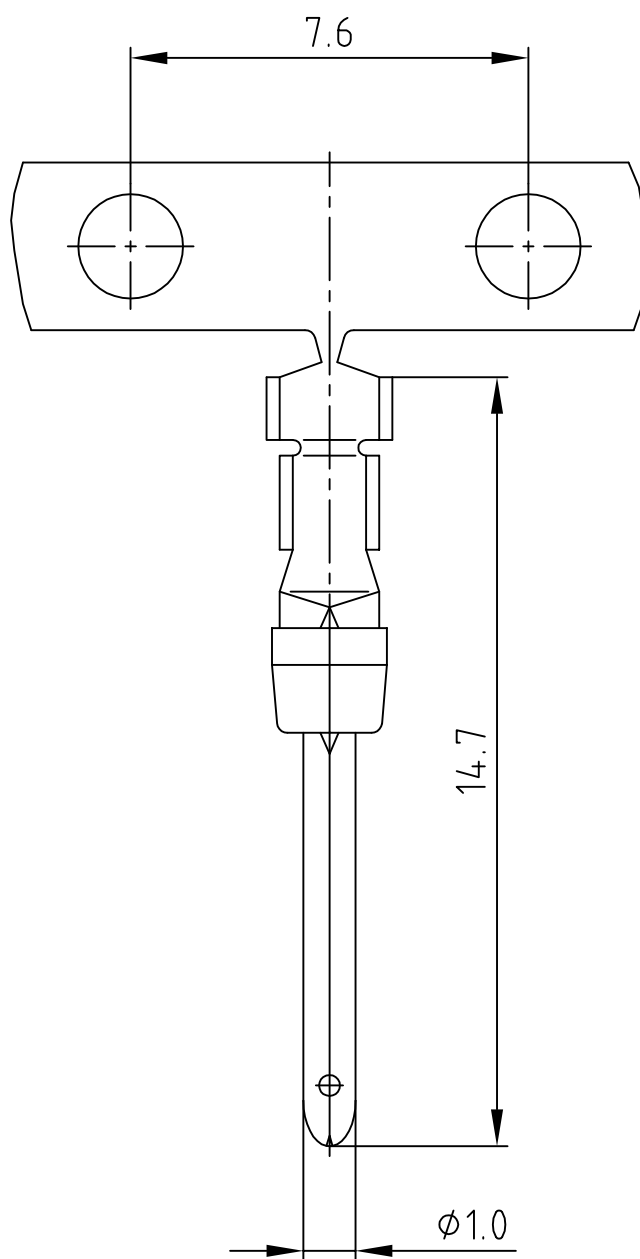


used for: D-SUB

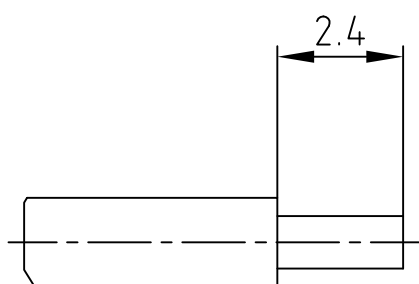


(b)

Wire size AWG	Crimp height A
24	0,68 - 0,86
22	0,68 - 0,86
20	0,68 - 0,86



STRIPPING DIMENSIONS (b)



(b) NOTES:

- Material: Phosphor Bronze
- Finish: Gold Flash over Nickel in the Contact Area
- Temperature Range: -55°C to +125°C
- Rated Current: 7.5A
- Contact Resistance: $\leq 10\text{m}\Omega$
- Length of Reel - Little Spool: 500 Contacts
- Crimping: Use Crimp Tool 360X10079X

Directive 2002/95/EC RoHS compliant

THIS DRAWING MAY NOT BE COPIED OR REPRODUCED IN ANY WAY, AND MAY NOT BE PASSED ON TO A THIRD PARTY WITHOUT WRITTEN PERMISSION.
 OWNERSHIP AND COPYRIGHT OF CONEC GmbH
 DO NOT ALTER CAD DRAWING BY HAND

finish:		tolerance		dim. in mm	
SEE NOTES					
		2004	date	name	
		drawn	22.04.	Lehmenkühler	
		appd.	22.04.	Mickenbecker	
		norm			
		d-old			
3 x b	Ä 4116	27.09.2011	Lehmen.		
a	Original				
rev.	description	date	name		

scale:	5:1	
material:	SEE NOTES	
title:	PLUG CONTACT CRIMP AWG 24-20 (little spool wheeled left)	
dwg no:	AutoCAD 2006	DIN-A
	16K1A1145	4
part no:	161A13389X	
		sh: 1/1