



Chipsmall Limited consists of a professional team with an average of over 10 year of expertise in the distribution of electronic components. Based in Hongkong, we have already established firm and mutual-benefit business relationships with customers from,Europe,America and south Asia,supplying obsolete and hard-to-find components to meet their specific needs.

With the principle of “Quality Parts,Customers Priority,Honest Operation,and Considerate Service”,our business mainly focus on the distribution of electronic components. Line cards we deal with include Microchip,ALPS,ROHM,Xilinx,Pulse,ON,Everlight and Freescale. Main products comprise IC,Modules,Potentiometer,IC Socket,Relay,Connector.Our parts cover such applications as commercial,industrial, and automotives areas.

We are looking forward to setting up business relationship with you and hope to provide you with the best service and solution. Let us make a better world for our industry!



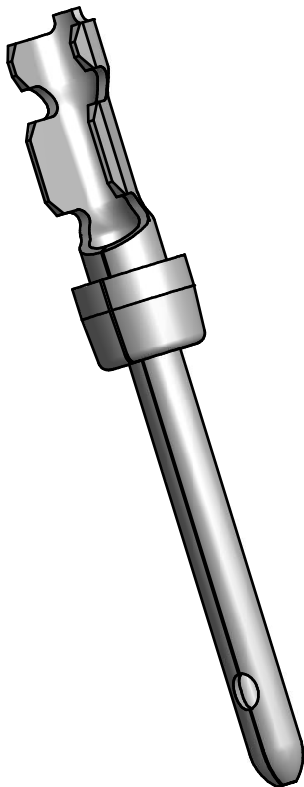
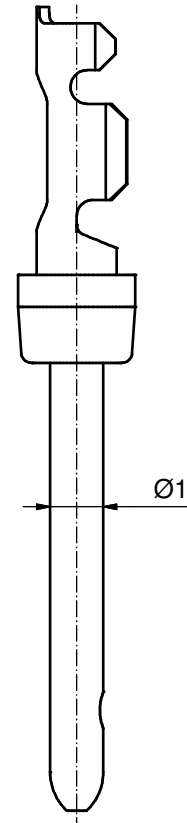
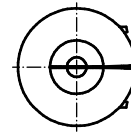
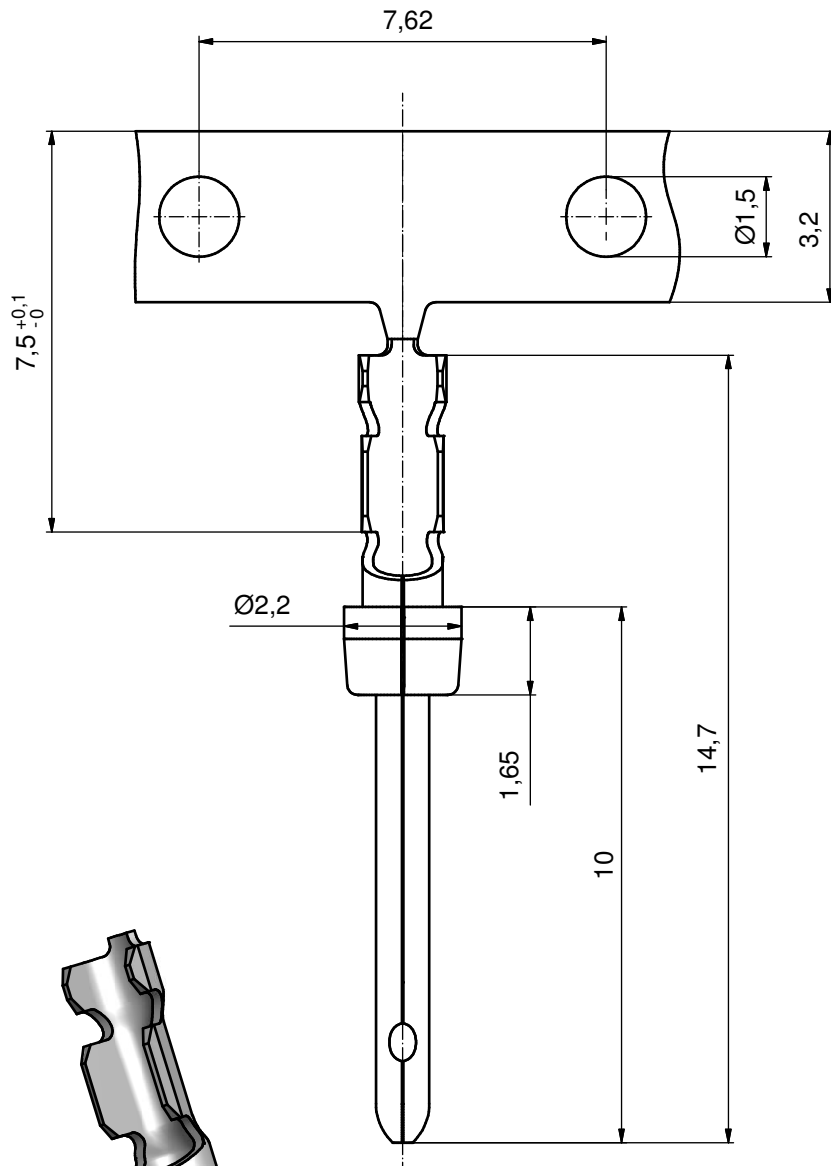
## Contact us

Tel: +86-755-8981 8866 Fax: +86-755-8427 6832

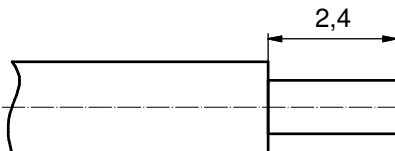
Email & Skype: info@chipsmall.com Web: www.chipsmall.com

Address: A1208, Overseas Decoration Building, #122 Zhenhua RD., Futian, Shenzhen, China





**STRIPPING DIMENSIONS**



**NOTES:**

- Material: phosphor bronze
- Finish: Gold Flash over Nickel in the contact area
- Temperature range: -55°C to +125°C
- Rated current: 5.0A
- Contact resistance: <= 10mOhm
- Length of reel-small reel wheeled right: 500 Contacts
- Crimping: use crimp tool 360X10079X

Directive 2002/95/EC RoHS compliant

THIS DRAWING MAY NOT BE COPIED OR REPRODUCED IN ANY WAY, AND MAY NOT BE PASSED ON TO A THIRD PARTY WITHOUT WRITTEN PERMISSION. OWNERSHIP AND COPYRIGHT OF CONEC GmbH

DO NOT ALTER CAD DRAWING BY HAND

rev.	description	date	name
a	Origin		

tolerance	dim. in mm
drawn	18.01.11 Henneboel
appd.	18.01.11 Koch
norm	
d-old	

scale:	10:1
material:	
title:	<b>SOCKET CONTACT</b> CRIMP AWG 24-28 (small spool wheeled right)
dwg no:	16K1A2761
part no:	161A13429X
DIN-A3	sh: 1

